

4

3

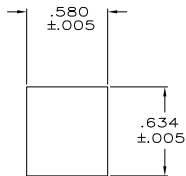
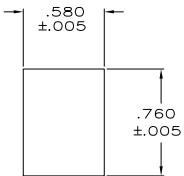
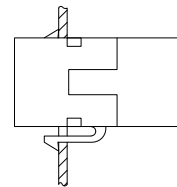
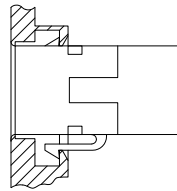
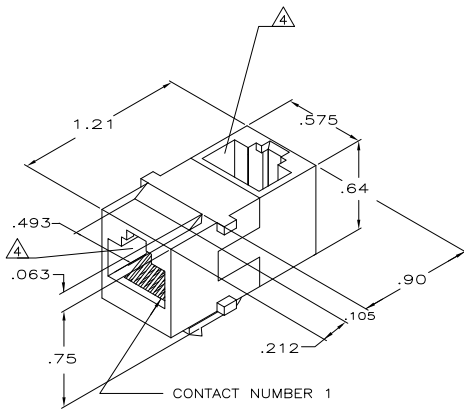
2

1

THIS DRAWING IS UNPUBLISHED. RELEASED FOR PUBLICATION. ALL RIGHTS RESERVED.

| LOC | DIST | REVISIONS |    |                           |         |    |      |
|-----|------|-----------|----|---------------------------|---------|----|------|
|     |      | P         | LR | DESCRIPTION               | DATE    | BY | APPD |
| HM  | 00   | E1        |    | REVISED PER ECO-11-005033 | 21MAR11 | RK | HMR  |

- ALL DIMENSIONS SHOWN ARE MAXIMUM UNLESS OTHERWISE SPECIFIED.
- MATERIAL:**  
 HOUSING - POLYPHENYLENE OXIDE, BLACK.  
 TERMINAL - .018 DIA PHOSPHOR BRONZE PLATED  
 .000050 MINIMUM THICK GOLD OVER .000050 MIN THICK NICKEL.
- MOUNTING PANEL THICKNESS .062 NOMINAL.
- CAVITIES SHALL CONFORM TO FCC RULES AND REGULATIONS, PART 68, SUBPART F.



RECOMMENDED PANEL CUTOUT FOR SINGLE WALL PLATE AND BACK PANEL FOR DOUBLE WALL PLATE

RECOMMENDED FRONT PANEL CUTOUT FOR DOUBLE WALL PLATE

555051-1  
PART NUMBER

|   |   |  |                       |
|---|---|--|-----------------------|
| THIS DRAWING IS A CONTROLLED DOCUMENT.  |   | DWG: C. YATES 3-17-87<br>CHK: S. FOX 3-27-87<br>APP: G. FOSTER 4-1-87<br>NAME: | TE Connectivity       |
| DIMENSIONS: INCHES<br>0 PLG ±.005<br>1 PLG ±.005<br>2 PLG ±.005<br>3 PLG ±.005<br>4 PLG ±.005<br>ANGLES ±.005 | PRODUCT SPEC: APPLICATION SPEC: WEIGHT: FINISH: | SIZE: A2<br>CASE CODE: 00779<br>DRAWING NO: C-555051                           | RESTRICTED TO:        |
| MATERIAL: -   |   | CUSTOMER DRAWING   |                       |
|   |   | SCALE: -   | SHEET: 1 of 1 REV: E1 |