

4

3

2

1

THIS DRAWING IS UNPUBLISHED. RELEASED FOR PUBLICATION
 © COPYRIGHT - By - ALL RIGHTS RESERVED.

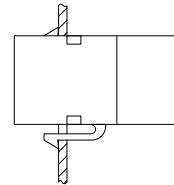
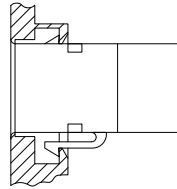
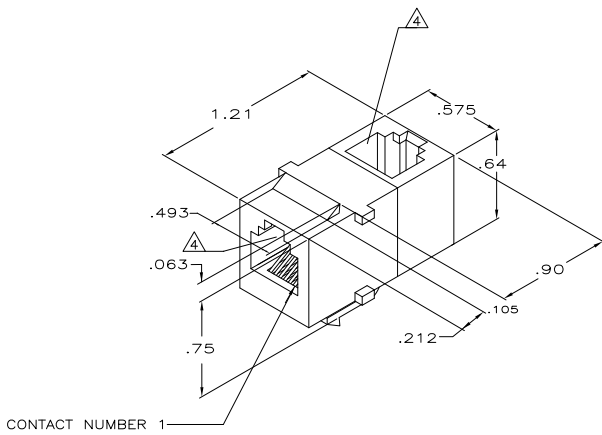
LOC	DIST	REVISIONS			
P	LTR	DESCRIPTION	DATE	BY	APPD
HM	00				
	E1	REVISED PER ECO-11-005033	22MAR11	RK	HMR

1. ALL DIMENSIONS SHOWN ARE MAXIMUM UNLESS OTHERWISE SPECIFIED.

MATERIAL:
 HOUSING - POLYPHENYLENE OXIDE, BLACK.
 TERMINAL - .018 DIA PHOSPHOR BRONZE PLATED WITH .000050 MINIMUM THICK GOLD OVER .000050 MINIMUM THICK NICKEL.

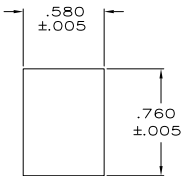
3. MOUNTING PANEL THICKNESS .062 NOMINAL.

CAVITIES SHALL CONFORM TO FCC RULES AND REGULATIONS, PART 68, SUBPART F.

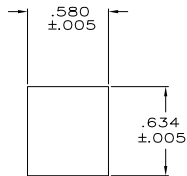


DOUBLE WALL PLATE
NOT TO SCALE

SINGLE WALL PLATE



RECOMMENDED PANEL CUTOUT FOR SINGLE WALL PLATE AND BACK PANEL FOR DOUBLE WALL PLATE



RECOMMENDED FRONT PANEL CUTOUT FOR DOUBLE WALL PLATE

555049-1
PART NUMBER

THIS DRAWING IS A CONTROLLED DOCUMENT.		DR. C. YATES 3-17-87	TE Connectivity
DIMENSIONS: INCHES		OK: S. FOX 3-27-87	
0 PLC ± .010 1 PLC ± .005 2 PLC ± .005 3 PLC ± .005 4 PLC ± .005 ANGLES ± .5°		NAME: G. FOSTER 4-1-87 PRODUCT SPEC: - APPLICATION SPEC: - WEIGHT: -	COUPLER ASSEMBLY, 6 POSITION, RIGHT ANGLE
MATERIAL:	FINISH:	SIZE: A2	CAGE CODE: 00779 DRAWING NO: C-555049 RESTRICTED TO: -
CUSTOMER DRAWING		SCALE: 2:1	SHEET: 1 of 1 REV: E1