

## VC-AR4/5M

Order No.: 1853007

<http://eshop.phoenixcontact.de/phoenix/treeViewClick.do?UID=1853007>

Panel mounting frame, without PE, for contact insert modules, type 4,  
number of insert modules 5

Commercial data	
EAN	4017918134297
Pack	5 pcs.
Customs tariff	85389099
Weight/Piece	0.01365 KG
Catalog page information	Page 360 (PC-2009)

**Product notes**

WEEE/RoHS-compliant since:  
12/15/2005



<http://www.download.phoenixcontact.com>  
Please note that the data given here has been taken from the online catalog. For comprehensive information and data, please refer to the user documentation. The General Terms and Conditions of Use apply to Internet downloads.

**Technical data**

General data	
Note	2 x 1852862 VC-AF for each connector
Ambient temperature (operation)	-40 °C ... 125 °C
Design	VC4

**Material data**

Inflammability class acc. to UL 94	V0
------------------------------------	----

**Certificates / Approvals**



Certification	CUL, GOST, UL
---------------	---------------

**Accessories**

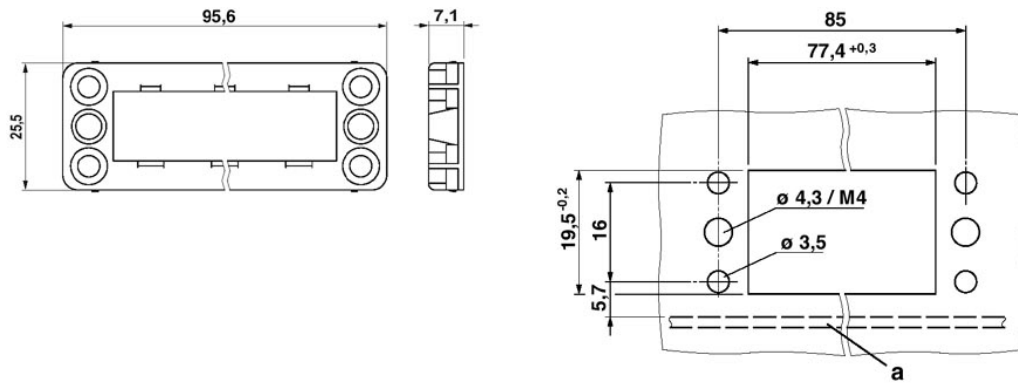
Item	Designation	Description
------	-------------	-------------

**Assembly**

1852862	VC-AF	Panel-mounting flange for screw locking, for wall thicknesses of 1-5 mm
---------	-------	---

**Diagrams/Drawings**

Dimensioned drawing



**Address**

PHOENIX CONTACT Inc., USA  
586 Fulling Mill Road  
Middletown, PA 17057, USA  
Phone (800) 888-7388  
Fax (717) 944-1625  
<http://www.phoenixcon.com>



© 2010 Phoenix Contact  
Technical modifications reserved;