

VS-08-A-RJ45/MOD-1-R-IP67

Order No.: 1689844

<http://eshop.phoenixcontact.de/phoenix/treeViewClick.do?UID=1689844>

RJ45 panel mounting frame, IP67, for modular socket inserts (Keystone), for round panel cutout, with grommet, with thread and union nut, color: gray

Ethernet**Commercial data**

EAN	4017918970802
Pack	1 pcs.
Customs tariff	85389099
Weight/Piece	0.0114 KG
Catalog page information	Page 196 (PC-2009)

Product notes

WEEE/RoHS-compliant since:
06/21/2006



<http://www.download.phoenixcontact.com>
Please note that the data given here has been taken from the online catalog. For comprehensive information and data, please refer to the user documentation. The General Terms and Conditions of Use apply to Internet downloads.

Technical data**Mechanical characteristics**

Number of slots	1
Insertion/withdrawal cycles	≥ 1000
Color	gray
Ambient temperature (operation)	-40 °C ... 80 °C

Material data

Inflammability class acc. to UL 94	V0
Housing material	PA
Material	Plastic
Sealing material	NBR
Seal material	NBR
Degree of protection	IP67

Electrical characteristics

Pollution degree	2
------------------	---

Accessories

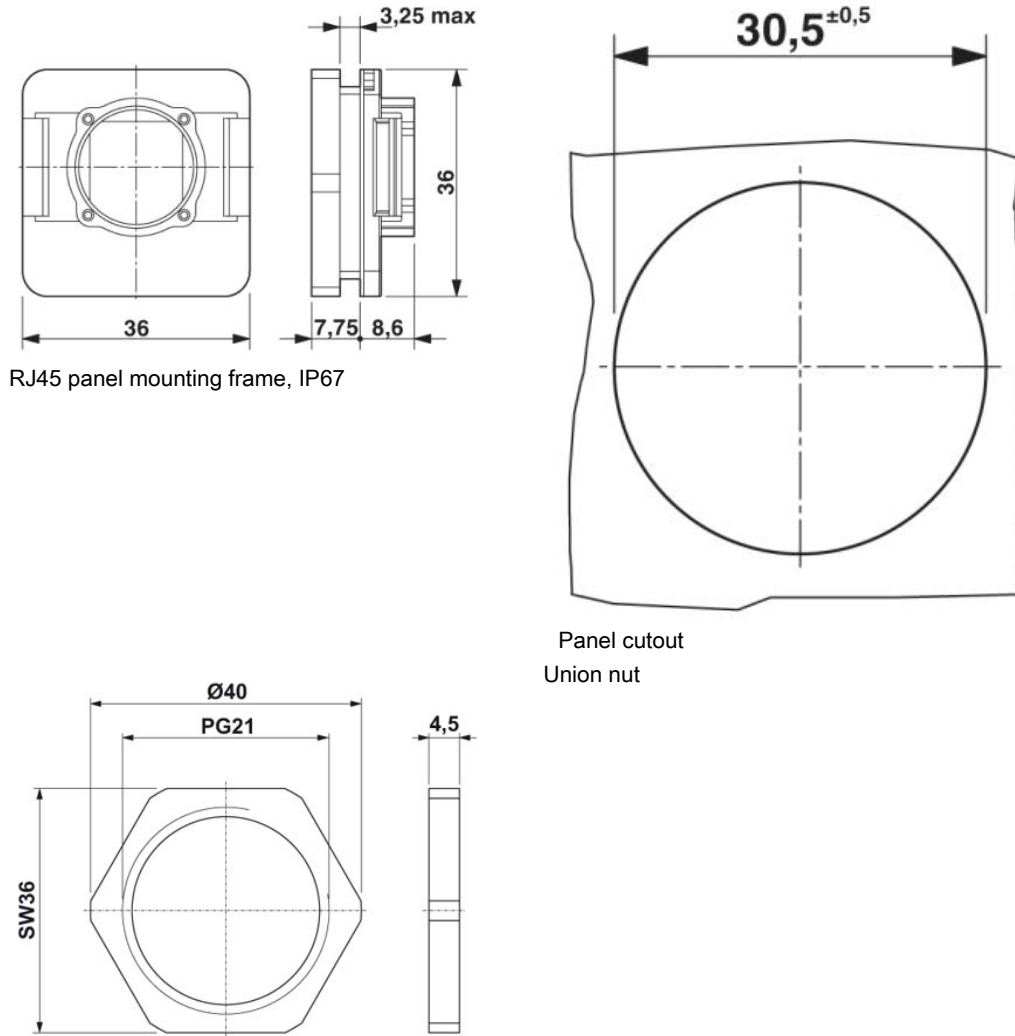
Item	Designation	Description
Female insert		
1653155	VS-08-BU-RJ45-6-MOD/BU	RJ45 socket insert, modular (Keystone), CAT6 (Link test), 8-position, shielded, socket on socket
1653168	VS-08-BU-RJ45-6/KA/LSA	RJ45 socket insert, modular (Keystone), CAT6, 8-pos., shielded, with cable connection (LSA), for litz and solid wires AWG 26 ... 22
1689064	VS-08-BU-RJ45/BU	RJ45 socket insert, modular (Keystone), CAT5e, 8-pos., shielded, socket on socket
1689459	VS-08-BU-RJ45/KA/LSA	RJ45 socket insert, modular (Keystone), CAT5e, 8-pos., shielded, with cable connection (LSA), for solid wires AWG 26 ... 22
1656356	VS-RJ11-BU-MOD/BU	Socket insert RJ11, modular system (Keystone), 6-pos., unshielded

Protective covers

1689200	VS-08-SD	Protective cover, IP67, tall design
1652606	VS-08-SD-F	Protective cover, IP67, flat design, to cover the contact insert in the panel mounting frame, color: gray

Diagrams/Drawings

Dimensioned drawing



RJ45 panel mounting frame, IP67

Panel cutout
Union nut

Address

PHOENIX CONTACT Deutschland GmbH
Flachsmarktstr. 8
32825 Blomberg, Germany
Phone +49 5235 3 12000
Fax +49 5235 3 41200
<http://www.phoenixcontact.de>



© 2010 Phoenix Contact
Technical modifications reserved;