

VC-AR3/4M

Order No.: 1852998



<http://eshop.phoenixcontact.de/phoenix/treeViewClick.do?UID=1852998>

Panel mounting frame, without PE, for contact insert modules, type 3, number of insert modules 4

Commercial data	
EAN	4017918127220
Pack	5 pcs.
Customs tariff	85389099
Weight/Piece	0.0133 KG
Catalog page information	Page 360 (PC-2009)

Product notes

WEEE/RoHS-compliant since: 12/15/2005



<http://www.download.phoenixcontact.com>
Please note that the data given here has been taken from the online catalog. For comprehensive information and data, please refer to the user documentation. The General Terms and Conditions of Use apply to Internet downloads.

Technical data

General data	
Note	2 x 1852862 VC-AF for each connector
Ambient temperature (operation)	-40 °C ... 125 °C
Design	VC3

Material data

Inflammability class acc. to UL 94

V0

Certificates / Approvals



Certification

CUL, GOST, UL

Accessories

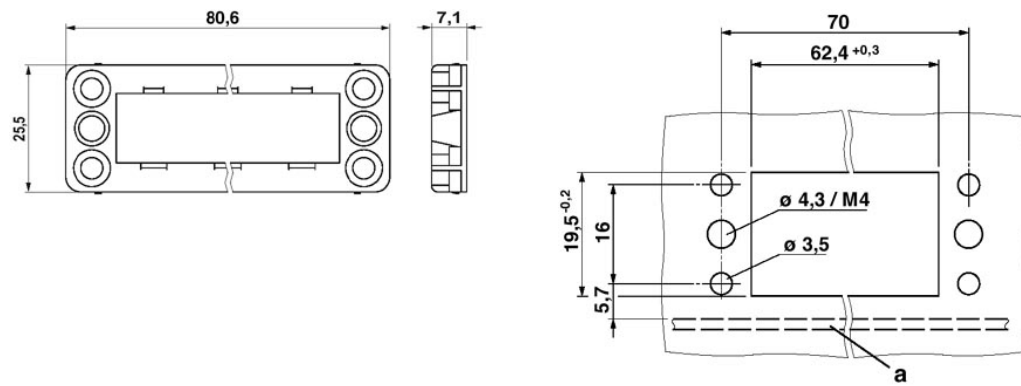
Item	Designation	Description
------	-------------	-------------

Assembly

1852862	VC-AF	Panel-mounting flange for screw locking, for wall thicknesses of 1-5 mm
---------	-------	-------------------------------------------------------------------------

Diagrams/Drawings

Dimensioned drawing



Address

PHOENIX CONTACT Inc., USA
586 Fulling Mill Road
Middletown, PA 17057, USA
Phone (800) 888-7388
Fax (717) 944-1625
<http://www.phoenixcon.com>



© 2010 Phoenix Contact
Technical modifications reserved;