

**VS-08-SD-F**

Order No.: 1652606

<http://eshop.phoenixcontact.de/phoenix/treeViewClick.do?UID=1652606>

Protective cover, IP67, flat design, to cover the contact insert in the panel mounting frame, color: gray

**Ethernet**

Commercial data	
EAN	4017918953034
Pack	5 pcs.
Customs tariff	39235090
Weight/Piece	0.00354 KG
Catalog page information	Page 195 (PC-2009)

**Product notes**

WEEE/RoHS-compliant since:  
03/31/2006



<http://www.download.phoenixcontact.com>  
Please note that the data given here has been taken from the online catalog. For comprehensive information and data, please refer to the user documentation. The General Terms and Conditions of Use apply to Internet downloads.

**Technical data****Mechanical characteristics**

Color	gray
Ambient temperature (operation)	-40 °C ... 80 °C

**Material data**

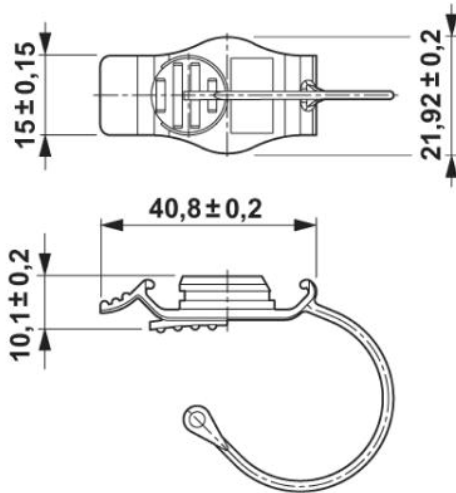
Inflammability class acc. to UL 94	V0
------------------------------------	----

Housing material	PA
Material	Plastic
Sealing material	EDPM, self-greasing
Seal material	EDPM, self-greasing
Degree of protection	IP67

### Diagrams/Drawings

Dimensioned drawing

Protective cover, IP67



**Address**

PHOENIX CONTACT Deutschland GmbH  
Flachsmarktstr. 8  
32825 Blomberg, Germany  
Phone +49 5235 3 12000  
Fax +49 5235 3 41200  
<http://www.phoenixcontact.de>



© 2010 Phoenix Contact  
Technical modifications reserved;