

# RJ45 ACCESSORIES

## Plastic and metal cap – Protection cap



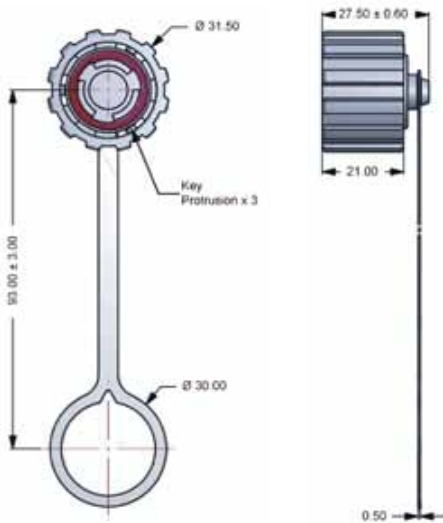
RoHS compliant

### DESCRIPTION

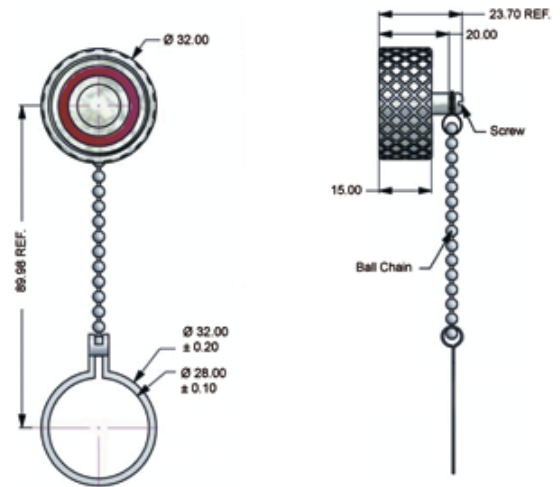
- IP67 rated
- Cap black plastic, metallized plastic with bayonet locking
- Metal cap with M28 thread

### PRODUCT DRAWING

#### Plastic or metal design – Bayonet locking



#### Metal cap – M28 thread



### ORDER DATA

Accessories	Part Number
Protection cap/Black plastic/Bayonet locking	17-10002
Protection cap/Metallized plastic/Bayonet locking	17-10014
Protection cap/Full metal/M28 Screw thread	17-100950