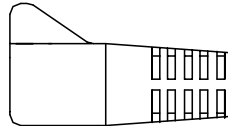
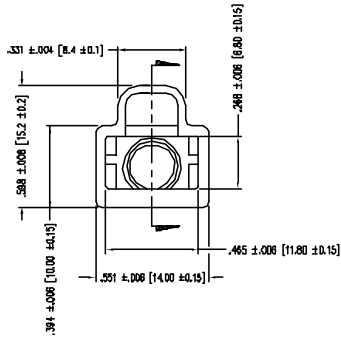
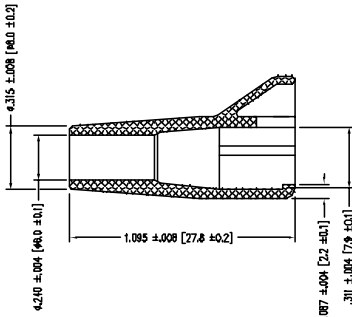
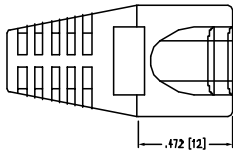


2

1

DATE	REV	EDN	APPD. BY
6-28-04	X0	-	-
6-6-04	X1	6510	TRM
1-11-05	AO	6881	TRM
5-10-05	BO	712B	JMF
5-12-05	BT	7131	JMF
1-30-06	BZ	7473	JM



PART NUMBER	COLOR
450-023	YELLOW
450-024	CLEAR
450-025	BLACK
450-026	GREEN
450-027	BLUE
450-028	LIGHT GREY
450-029	DARK GREY
450-030	PURPLE
450-031	WHITE
450-032	RED

MATERIAL: THERMOPLASTIC UL94 V-0

B

B

A

A

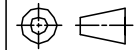
REV. 7/12/03

2

1

AutoCAD

THIRD ANGLE PROJECTION



DO NOT SCALE DRAWING
DRAWING IS SUBJECT TO
CHANGE WITHOUT NOTICE

DIMENSIONS: INCHES (METRIC)
UNLESS OTHERWISE SPECIFIED
TOLERANCES ARE ±.006 [0.15]
ANGLES ARE ± 1°

DWG NO. 1 OF 1

Bel Stewart Connector

11118 Susquehanna Trail South
Dien Reek, PA 17327-9100
(717) 238-7512 Fax: (717) 238-7504 <http://www.stewartconnector.com>

EXTERNAL STRAIN RELIEF BOOT

THIS DRAWING AND THE SUBJECT MATTER SHOWN THEREON
ARE CONFIDENTIAL AND THE PROPRIETARY PROPERTY OF
BEL STEWART CONNECTOR AND SHALL NOT BE REPRODUCED,
COPIED, OR USED IN ANY MANNER WITHOUT PRIOR WRITTEN
CONSENT OF BEL STEWART CONNECTOR. THE SUBJECT
MATTER MAY BE PATENTED OR A PATENT MAY BE PENDING.

DWG BY:	TRM	DATE	6-28-04
DWG BY:	DHG	DATE	6-29-04
APPD BY:	TRM	DATE	6-29-04
DWG NO.	CT999007	REV.	BZ

