

A

B

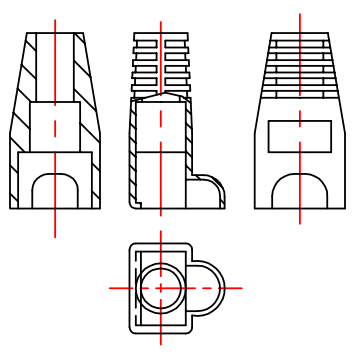
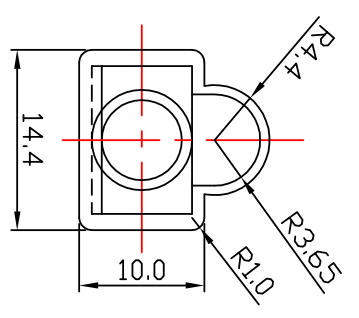
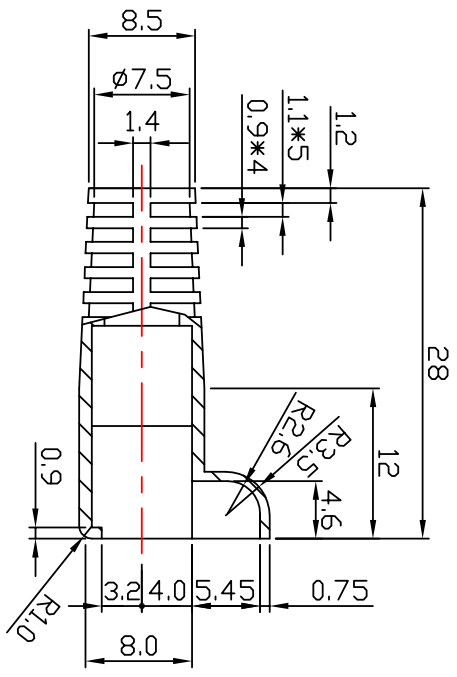
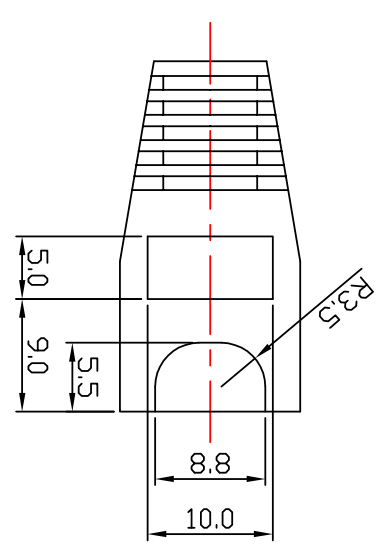
C

D

E

F

DATE BY	REVISION



1

2

3

4

1

2

3

4

DATE	7 APR, 1999	PARTS NO	
UNIT	MM	DRAWN NO	MD146
SCALE		BUYER NO	

TITLE: R445 8P8C BOOT

DRAWN	Y.C.C	CHECK	APPRO
	4/7		
ASSMANN ELECTRONICS, INC.			