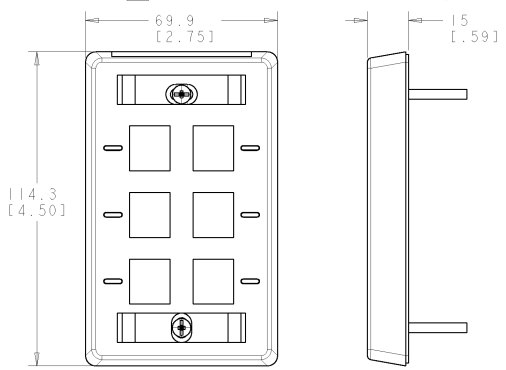
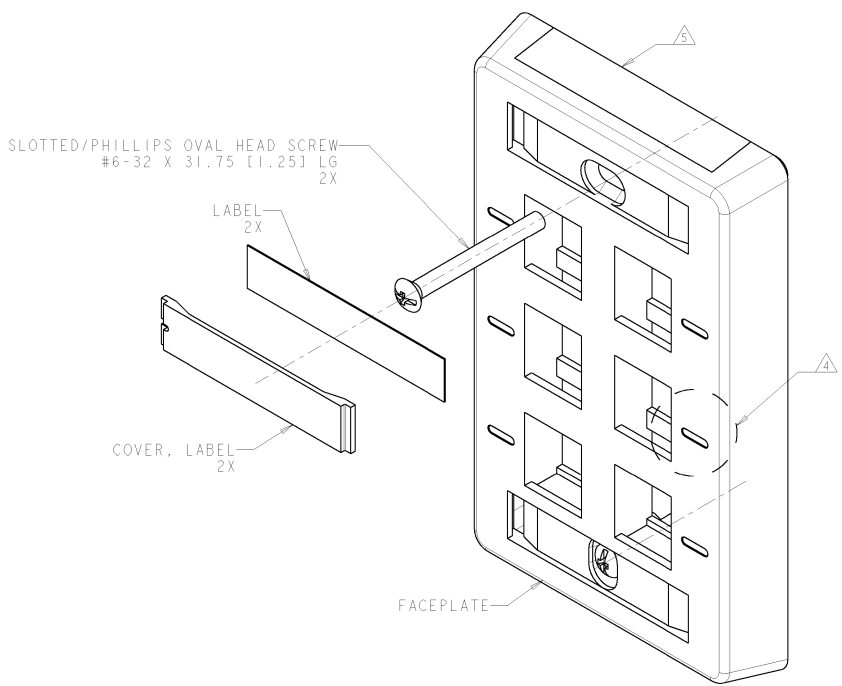


THIS DRAWING IS UNPUBLISHED. RELEASED FOR PUBLICATION BY TYCO ELECTRONICS CORPORATION. ALL RIGHTS RESERVED.

| REV | DATE      | BY | CHKD | DESCRIPTION               |
|-----|-----------|----|------|---------------------------|
| E   | 27SEP2005 | JM | GB   | ECO-05-008931 AND REDRAWN |
| F   | 11JUL2006 | JM | GB   | ECO-06-012850             |

- △ DIMENSIONS ARE NOMINAL UNLESS OTHERWISE SPECIFIED.
- △ MATERIAL:  
FACEPLATE: ABS MOLDING COMPOUND. SEE TABLE FOR COLORS.  
SCREWS: ZINC PLATED CARBON STEEL  
COVER, LABEL: POLYCARBONATE MOLDING COMPOUND, CLEAR  
LABEL: WHITE INDEX PAPER
- 3. KIT SHIPPED UNASSEMBLED.
- △ MOLD OVER ICON FEATURE, 6X.
- △ NON-TEXTURED AREA FOR LABEL, UP TO 9.65 [0.38] HIGH.



SCALE 1:1

|                |             |
|----------------|-------------|
| ELECTRIC IVORY | 1-557691-1  |
| NEMA GRAY      | 557691-4    |
| WHITE          | 557691-3    |
| BLACK          | 557691-2    |
| LIGHT ALMOND   | 557691-1    |
| COLOR          | PART NUMBER |

|  |                            |  |  |
|--|----------------------------|--|--|
| <small>THIS DRAWING IS UNPUBLISHED. RELEASED FOR PUBLICATION BY TYCO ELECTRONICS CORPORATION. ALL RIGHTS RESERVED.</small> |                            | DWN J. MCNEAL 27SEP2005<br>CHK. G. BOWMAN 27SEP2005<br>APPR. G. BOWMAN 27SEP2005 | <b>tyco</b><br><b>Electronics</b><br>Tyco Electronics<br>Harrisburg, PA 17105-3400   |
| DIMENSIONS:<br>INCHES  | DIMENSIONS:<br>MILLIMETERS | PRODUCT SPEC<br>APPLICATION SPEC<br>408-3282<br>WEIGHT                           | PART NO.<br>FACEPLATE KIT, 6 PORT, 110CONNECT<br>SIZE CASE CODE DRAWING NO<br>A200779 C-557691<br>SCALE 2:1 SHEET 1 OF 1 REV F |
| MATERIAL<br>△ ABS  |                            | CUSTOMER DRAWING   |  |

AMP 1471-6 REV 31MAR2000  
PFA/ENGINEER DRAWING