

4

3

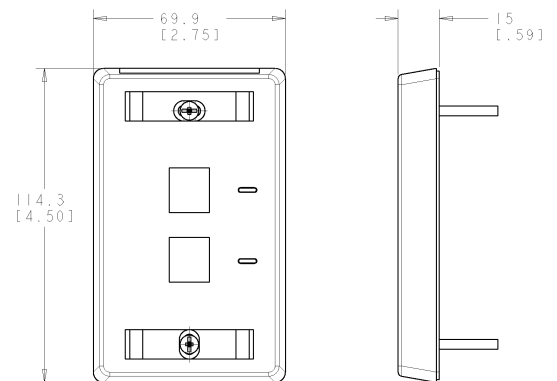
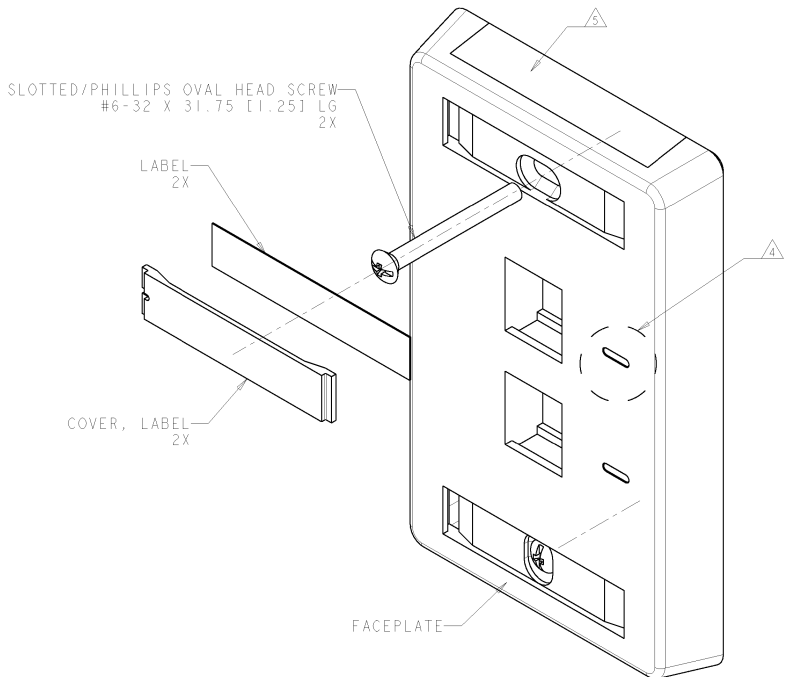
2

1

THIS DRAWING IS UNPUBLISHED.
 (C) COPYRIGHT 2011 BY TYCO ELECTRONICS CORPORATION. ALL RIGHTS RESERVED.

REV	DATE	BY	CHKD	DESCRIPTION
F	11-JUL-06	GG	GB	REDWN. REV: EC QB40-0152-02
G	27SEP2005	JW	GB	ECO-05-008931 AND REDRAWN
H	11JUL2004	JW	GB	ECO-04-012850

- ⚠ DIMENSIONS ARE NOMINAL UNLESS OTHERWISE SPECIFIED.
- ⚠ MATERIAL:
FACEPLATE - ABS MOLDING COMPOUND. SEE TABLE FOR COLORS.
- SCREWS - ZINC PLATED CARBON STEEL.
- LABEL COVER - POLYCARBONATE MOLDING COMPOUND, CLEAR.
- LABEL - WHITE INDEX PAPER.
- 3. THIS KIT SHIPPED NOT ASSEMBLED.
- ⚠ MOLD OVER ICON FEATURE, 2X.
- ⚠ NON-TEXTURED AREA FOR LABEL, UP TO 9.65 [1.38] HIGH.



SCALE 1:1

ELECTRIC IVORY	1-57505-1
NEMA GRAY	57505-4
WHITE	57505-3
BLACK	57505-2
LIGHT ALMOND	57505-1
COLOR	PART NUMBER

<small>THIS DRAWING IS UNPUBLISHED. IT IS THE PROPERTY OF TYCO ELECTRONICS CORPORATION AND IS NOT TO BE REPRODUCED OR TRANSMITTED IN ANY FORM OR BY ANY MEANS, ELECTRONIC OR MECHANICAL, INCLUDING PHOTOCOPYING, RECORDING, OR BY ANY INFORMATION STORAGE AND RETRIEVAL SYSTEM, WITHOUT THE WRITTEN PERMISSION OF TYCO ELECTRONICS CORPORATION.</small>		DWN: JG GARRETT CBY: G BOWMAN APPR: G BOWMAN	DATE: 11-JUL-06 DATE: 11-JUL-06 DATE: 11-JUL-06	tyco Electronics <small>Tyco Electronics Harrisburg, PA 17105-3408</small>
DIMENSIONS: MM (INCHES)	DIMENSIONS: MM (INCHES)	PRODUCT SPEC: APPLICATION SPEC: 408-3282 WEIGHT:	PART NUMBER: FACEPLATE KIT, 2 PORT, 110CONNECT	SIZE: A2 CASE CODE: 100779 DRAWING NO: 57505
MATERIAL: FINISH:	MATERIAL: FINISH:	CUSTOMER DRAWING	SCALE: 2:1 SHEET: 1 OF 1 REV: H	RESTRICTED TO: