

4

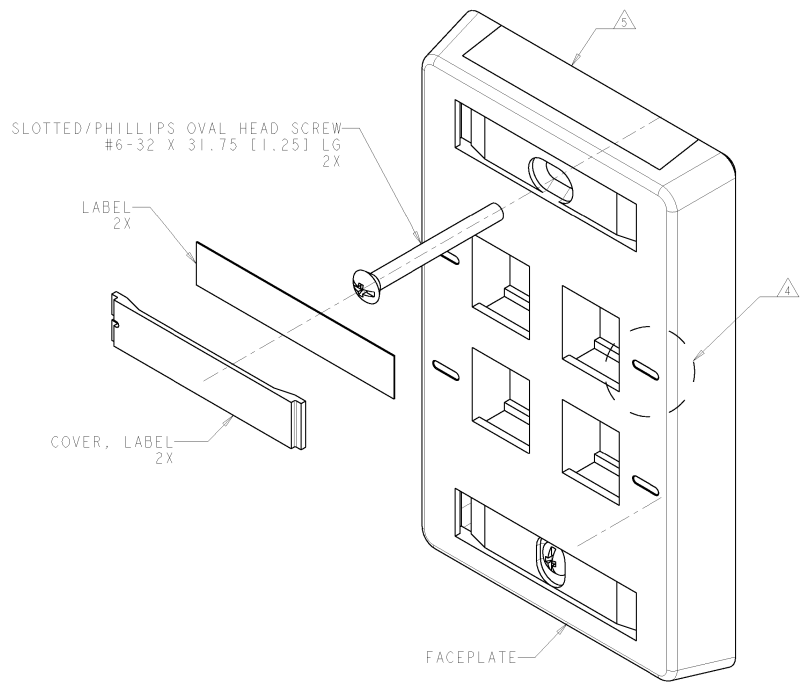
3

2

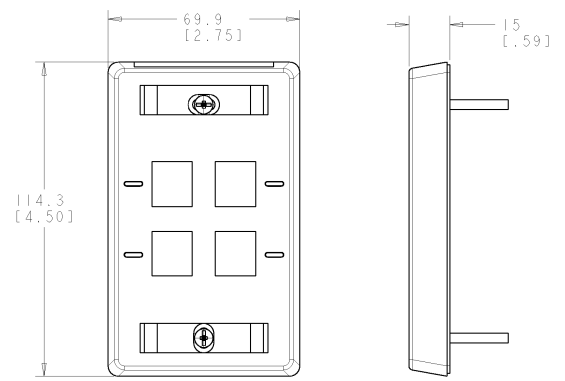
1

THIS DRAWING IS UNPUBLISHED. RELEASED FOR PUBLICATION BY TICO ELECTRONICS CORPORATION. ALL RIGHTS RESERVED.

| REV | DATE | BY | CHKD | DESCRIPTION |
|-----|-----------|----|------|-----------------------------|
| E | 11-JUL-06 | GG | GB | REDWN. REV: EC QB40-0152-02 |
| F | 27SEP2005 | JW | GB | ECO-05-008931 AND REDRAWN |
| G | 11JUL2004 | JW | GB | ECO-04-012850 |



- ⚠ DIMENSIONS ARE NOMINAL UNLESS OTHERWISE SPECIFIED.
- ⚠ MATERIAL:
 - FACEPLATE - ABS MOLDING COMPOUND. SEE TABLE FOR COLORS.
 - SCREWS - ZINC PLATED CARBON STEEL.
 - LABEL COVER - POLYCARBONATE MOLDING COMPOUND, CLEAR.
 - LABEL - WHITE INDEX PAPER.
- 3. THIS KIT SHIPPED NOT ASSEMBLED.
- ⚠ MOLD OVER ICON FEATURE, 4X.
- ⚠ NON-TEXTURED AREA FOR LABEL, UP TO 9.65 [1.38] HIGH.



SCALE 1:1

| COLOR | PART NUMBER |
|----------------|-------------|
| ELECTRIC IVORY | 1-558088-1 |
| NEMA GRAY | 558088-4 |
| WHITE | 558088-3 |
| BLACK | 558088-2 |
| LIGHT ALMOND | 558088-1 |

| | | | |
|-------------------------|-------------------------|---|---|
| DIMENSIONS: MM (INCHES) | | DWG: G GARRETT 11-JUL-06 CHK: G BOWMAN 11-JUL-06 APPR: G BOWMAN 11-JUL-06 | tjco Electronics Tico Electronics Harrisburg, PA 17105-3608 |
| DIMENSIONS: MM (INCHES) | DIMENSIONS: MM (INCHES) | PRODUCT SPEC: 408-3282 APPLICATION SPEC: 408-3282 WEIGHT: - | PART NUMBER: FACEPLATE KIT, 4 PORT, 110CONNECT SIZE: A2 CASE CODE: 100779 DRAWING NO: 558088 |
| MATERIAL: ZINISR | | CUSTOMER DRAWING | RESTRICTED TO: - SCALE: 2:1 SHEET: 1 OF 1 REV: G |

AMP 1471-8 REV 20MAR2000
PFC/ENGINEER DRAWING