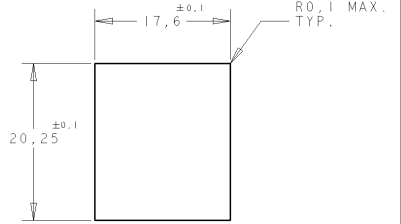
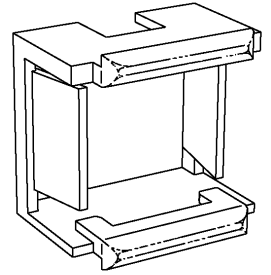
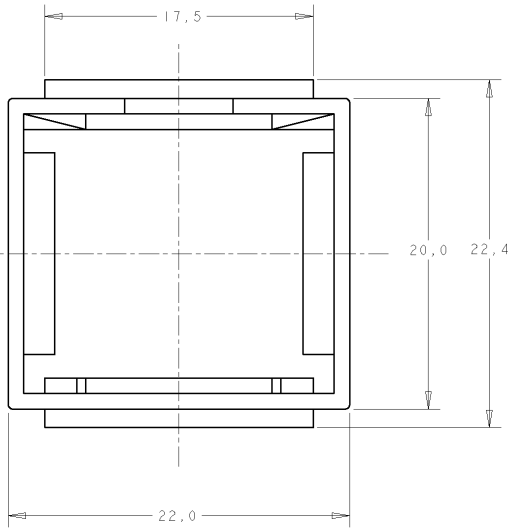
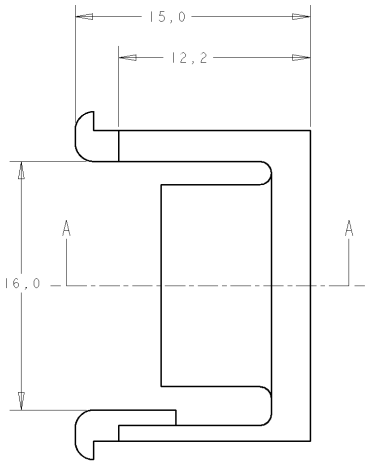
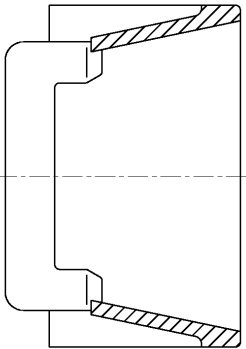


THIS DRAWING IS UNPUBLISHED. RELEASED FOR PUBLICATION  
 COPYRIGHT 20 BY TYCO ELECTRONICS CORPORATION. ALL RIGHTS RESERVED.

LOC	DIST	REVISIONS				
P	LTR	DESCRIPTION	DATE	DWN	APVD	
		A4	TRANSFERRED TO ESD	10MAY2006	FCH JS	



SUGGESTED  
 PANEL CUTOUT  
 (PANEL THICKNESS 1,6)



SECTION A-A

<small>THIS DRAWING IS A CONTROLLED DOCUMENT FOR TYCO ELECTRONICS CORPORATION          IT IS SUBJECT TO CHANGE AND THE CONTROLING ENGINEERING ORGANIZATION          SHOULD BE CONTACTED FOR THE LATEST REVISION.</small>		OWN: F. CHAMORRO CHK: J. SANABRA APVD: J. SANABRA	10MAY2006 10MAY2006 10MAY2006	<b>tyco</b> Electronics Tyco Electronics Harrisburg, PA 17105-3608
DIMENSIONS: mm	TOLERANCES UNLESS OTHERWISE SPECIFIED: 0 PLC ± 1 PLC ± 2 PLC ± 3 PLC ± 4 PLC ± ANGLES ± FINISH -	PRODUCT SPEC APPLICATION SPEC WEIGHT	NAME SIZE CAGE CODE DRAWING NO A3 00779 C-100575	RESTRICTED TO
MATERIAL -		CUSTOMER DRAWING		SCALE 2:1 SHEET 1 OF 1 REV A4

AMP 1470-19 REV 31MAR2000  
 P10/ENGINEER DRAWING