

4

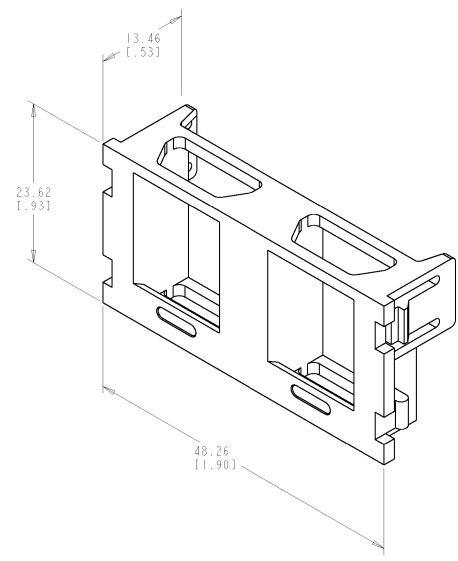
3

2

1

THIS DRAWING IS UNPUBLISHED. RELEASED FOR PUBLICATION.
© COPYRIGHT 19 BY TYCO ELECTRONICS CORPORATION. ALL RIGHTS RESERVED.

REV	DATE	BY	CHKD	DESCRIPTION
0	14SEP99	TLP	RM	RELEASED, NFR P799-006
A	20MAR00	GG	GB	REV: EC 0B40-0073-00
B	30APR2001	GG	GB	REV: EC 0B40-0208-00
C	30APR01	LH	GB	REV: EC 0B40-0077-01



- △ MATERIAL:
MODULE: ABS MOLDING COMPOUND.
SEE TABLE FOR COLOR.
- △ DIMENSIONS ARE NOMINAL UNLESS OTHERWISE SPECIFIED.
- 3. MODULE WILL ACCEPT 110 CONNECT AND SL SERIES TOOLLESS MODULAR JACKS AND INSERTS.
- 4. REFER TO INSTRUCTION SHEET 408-8398 FOR INSTALLATION PROCEDURES.

ELEC IVORY	I-1116409-1
NEMA GRAY	1116409-4
WHITE	1116409-3
BLACK	1116409-2
LT ALMOND	1116409-1
COLOR	PART NO

<small>TOP DRAWING IS CONTROL COPY. THIS DRAWING IS UNPUBLISHED. RELEASED FOR PUBLICATION. © COPYRIGHT 19 BY TYCO ELECTRONICS CORPORATION. ALL RIGHTS RESERVED.</small>		DAN T. ELITS 14SEP99 CHD B. MARTIN 10NOV99 AFR B. MARTIN 09DEC99	AMP <small>AMP Incorporated Harrisburg, PA 17105-3608</small>
DIMENSIONS: mm(INCHES)	TOLERANCES UNLESS OTHERWISE SPECIFIED: 0 PLC ± 1 PLC ± 2 PLC ± 3 PLC ± 4 PLC ± 5 PLC ± ANGLES ± FINISH -	PART NO 09DEC99 APPLICATION SPEC - WEIGHT -	MODULE, TWO PORT, 1 UNIT HIGH, SL SERIES SIZE CASE CODE DRAWING NO A2 00779 C=1116409 RESTRICTED TO -
AMP 1471-9 REV 31MAR2000 Proj/ENGINEER DRAWING		CUSTOMER DRAWING	SCALE 3:1 SHEET 1 OF 1 REV C