

4

3

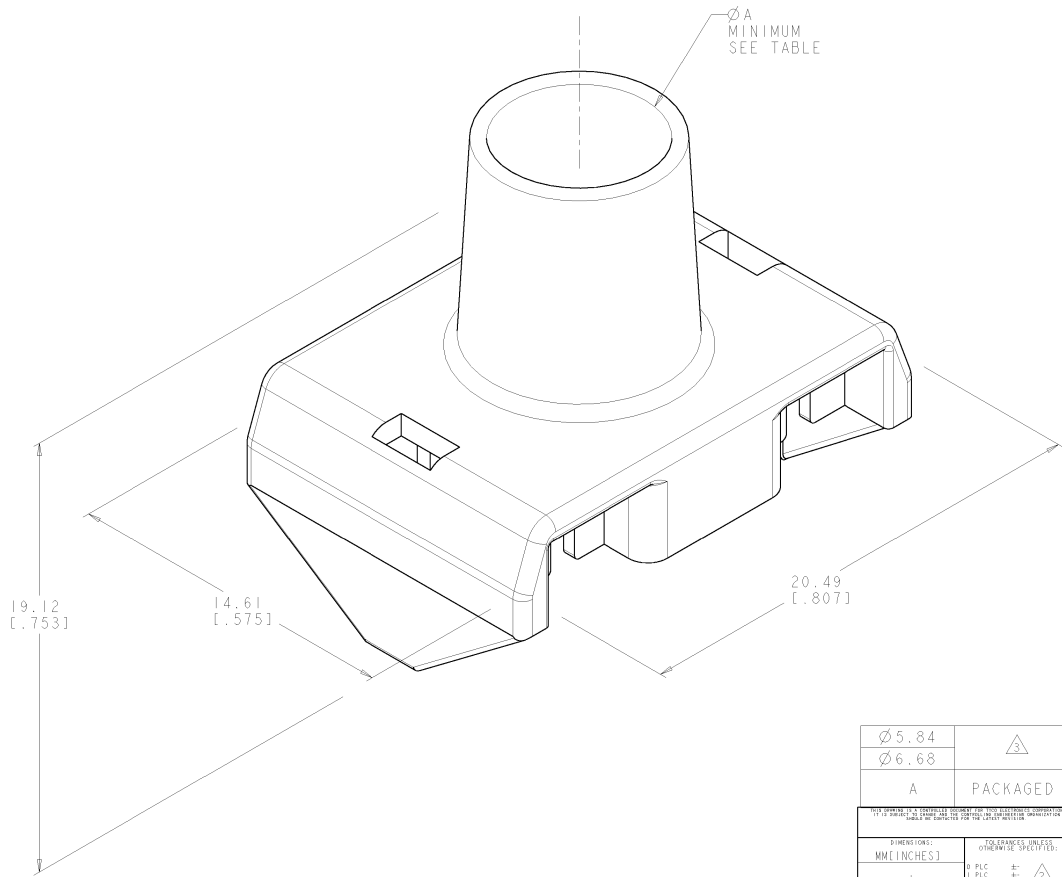
2

1

THIS DRAWING IS UNPUBLISHED. RELEASED FOR PUBLICATION
 (C) COPYRIGHT 20 BY TYCO ELECTRONICS CORPORATION. ALL RIGHTS RESERVED.

REV	DATE	BY	CHKD	DESCRIPTION
0	28SEP01	LH	CD	REV - EC 0840-0222-01
A	100802	TP	CD	REV. 0840-0128-02
B	100803	GG	CD	REV. EC 0840-0105-03

- △ MATERIAL: POLYCARBONATE, SEE TABLE FOR COLOR.
- △ DIMENSIONS ARE MAXIMUM UNLESS OTHERWISE NOTED.
- △ PACKAGED 25 STRAIN RELIEFS PER POLYBAG.



Ø 5.84	△	LIGHT BLUE	CATEGORY 5e	1375200-2
Ø 6.68	△	SMOKED GRAY	CATEGORY 6	1375200-1
A	PACKAGED	COLOR △	DESCRIPTION	PART NO.
DIMENSIONS: MM (INCHES)		DWN: BALL 27SEP01 CHK: SMITH 27SEP01 APP: DROLEF 28SEP01		
DIMENSIONS: MM (INCHES) D: PLC H: PLC W: PLC R: PLC ANGLES FINISH		tyco Electronics Harrisburg, PA 17105-3608 BEND-LIMITING STRAIN RELIEF SIZE CASE CODE DRAWING NO A2100779 C=1375200 RESTRICTED TO		
MATERIAL △		CUSTOMER DRAWING SCALE 0:1 SHEET 1 OF 1 REV B		

AMP 1471-8 REV 20MAR2000
 Proj/ENGINEER DRAWING