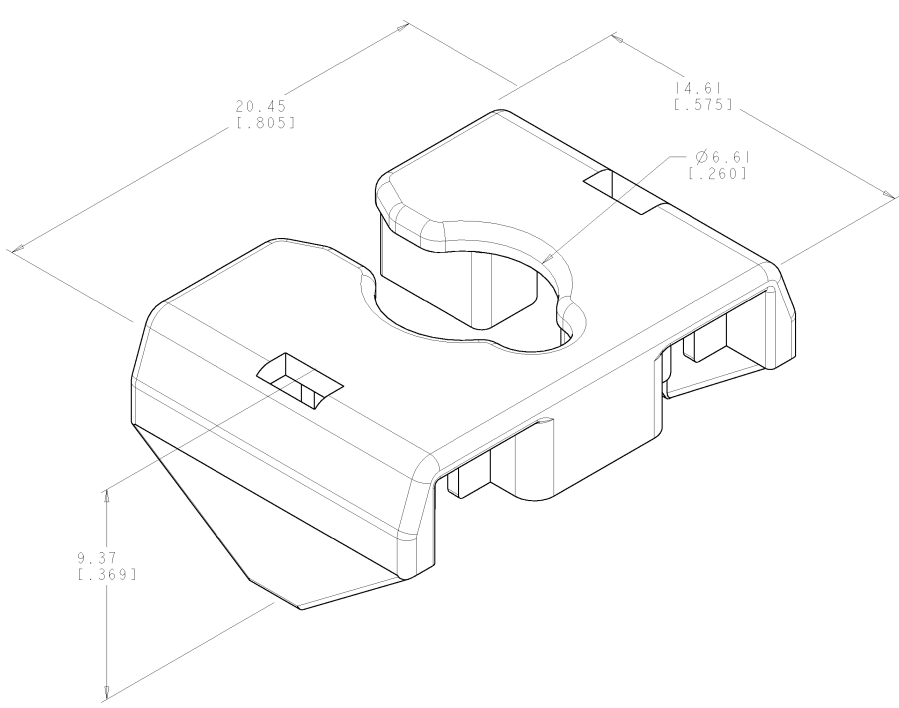


THIS DRAWING IS UNPUBLISHED. RELEASED FOR PUBLICATION  
 (C) COPYRIGHT 20 BY TYCO ELECTRONICS CORPORATION. ALL RIGHTS RESERVED.

LOC		REV		REVISIONS			
HM	00	TP	LT#	DESCRIPTION	DATE	BY	APPD
		0		RLSD PER EC 0040-0252-01	30OCT2001	LS	CD



- △ MATERIAL - POLYCARBONATE, CLEAR.
- △ DIMENSIONS ARE MAXIMUM UNLESS OTHERWISE NOTED.
- △ PACKAGE 25 STRAIN RELIEFS PER POLYBAG.

△	1375157-1
PACKAGED	PART NO.

DIMENSIONS: MM (INCHES)		DIMENSIONS: INCHES (MM)		DIMENSIONS: INCHES (MM)		DIMENSIONS: INCHES (MM)		DIMENSIONS: INCHES (MM)		DIMENSIONS: INCHES (MM)	
0	PLC	-	△	0	PLC	-	△	0	PLC	-	△
1	PLC	-	△	1	PLC	-	△	1	PLC	-	△
2	PLC	-	△	2	PLC	-	△	2	PLC	-	△
3	PLC	-	△	3	PLC	-	△	3	PLC	-	△
4	PLC	-	△	4	PLC	-	△	4	PLC	-	△
5	PLC	-	△	5	PLC	-	△	5	PLC	-	△
6	PLC	-	△	6	PLC	-	△	6	PLC	-	△
7	PLC	-	△	7	PLC	-	△	7	PLC	-	△
8	PLC	-	△	8	PLC	-	△	8	PLC	-	△
9	PLC	-	△	9	PLC	-	△	9	PLC	-	△
10	PLC	-	△	10	PLC	-	△	10	PLC	-	△
11	PLC	-	△	11	PLC	-	△	11	PLC	-	△
12	PLC	-	△	12	PLC	-	△	12	PLC	-	△
13	PLC	-	△	13	PLC	-	△	13	PLC	-	△
14	PLC	-	△	14	PLC	-	△	14	PLC	-	△
15	PLC	-	△	15	PLC	-	△	15	PLC	-	△
16	PLC	-	△	16	PLC	-	△	16	PLC	-	△
17	PLC	-	△	17	PLC	-	△	17	PLC	-	△
18	PLC	-	△	18	PLC	-	△	18	PLC	-	△
19	PLC	-	△	19	PLC	-	△	19	PLC	-	△
20	PLC	-	△	20	PLC	-	△	20	PLC	-	△
21	PLC	-	△	21	PLC	-	△	21	PLC	-	△
22	PLC	-	△	22	PLC	-	△	22	PLC	-	△
23	PLC	-	△	23	PLC	-	△	23	PLC	-	△
24	PLC	-	△	24	PLC	-	△	24	PLC	-	△
25	PLC	-	△	25	PLC	-	△	25	PLC	-	△
26	PLC	-	△	26	PLC	-	△	26	PLC	-	△
27	PLC	-	△	27	PLC	-	△	27	PLC	-	△
28	PLC	-	△	28	PLC	-	△	28	PLC	-	△
29	PLC	-	△	29	PLC	-	△	29	PLC	-	△
30	PLC	-	△	30	PLC	-	△	30	PLC	-	△
31	PLC	-	△	31	PLC	-	△	31	PLC	-	△
32	PLC	-	△	32	PLC	-	△	32	PLC	-	△
33	PLC	-	△	33	PLC	-	△	33	PLC	-	△
34	PLC	-	△	34	PLC	-	△	34	PLC	-	△
35	PLC	-	△	35	PLC	-	△	35	PLC	-	△
36	PLC	-	△	36	PLC	-	△	36	PLC	-	△
37	PLC	-	△	37	PLC	-	△	37	PLC	-	△
38	PLC	-	△	38	PLC	-	△	38	PLC	-	△
39	PLC	-	△	39	PLC	-	△	39	PLC	-	△
40	PLC	-	△	40	PLC	-	△	40	PLC	-	△
41	PLC	-	△	41	PLC	-	△	41	PLC	-	△
42	PLC	-	△	42	PLC	-	△	42	PLC	-	△
43	PLC	-	△	43	PLC	-	△	43	PLC	-	△
44	PLC	-	△	44	PLC	-	△	44	PLC	-	△
45	PLC	-	△	45	PLC	-	△	45	PLC	-	△
46	PLC	-	△	46	PLC	-	△	46	PLC	-	△
47	PLC	-	△	47	PLC	-	△	47	PLC	-	△
48	PLC	-	△	48	PLC	-	△	48	PLC	-	△
49	PLC	-	△	49	PLC	-	△	49	PLC	-	△
50	PLC	-	△	50	PLC	-	△	50	PLC	-	△
51	PLC	-	△	51	PLC	-	△	51	PLC	-	△
52	PLC	-	△	52	PLC	-	△	52	PLC	-	△
53	PLC	-	△	53	PLC	-	△	53	PLC	-	△
54	PLC	-	△	54	PLC	-	△	54	PLC	-	△
55	PLC	-	△	55	PLC	-	△	55	PLC	-	△
56	PLC	-	△	56	PLC	-	△	56	PLC	-	△
57	PLC	-	△	57	PLC	-	△	57	PLC	-	△
58	PLC	-	△	58	PLC	-	△	58	PLC	-	△
59	PLC	-	△	59	PLC	-	△	59	PLC	-	△
60	PLC	-	△	60	PLC	-	△	60	PLC	-	△
61	PLC	-	△	61	PLC	-	△	61	PLC	-	△
62	PLC	-	△	62	PLC	-	△	62	PLC	-	△
63	PLC	-	△	63	PLC	-	△	63	PLC	-	△
64	PLC	-	△	64	PLC	-	△	64	PLC	-	△
65	PLC	-	△	65	PLC	-	△	65	PLC	-	△
66	PLC	-	△	66	PLC	-	△	66	PLC	-	△
67	PLC	-	△	67	PLC	-	△	67	PLC	-	△
68	PLC	-	△	68	PLC	-	△	68	PLC	-	△
69	PLC	-	△	69	PLC	-	△	69	PLC	-	△
70	PLC	-	△	70	PLC	-	△	70	PLC	-	△
71	PLC	-	△	71	PLC	-	△	71	PLC	-	△
72	PLC	-	△	72	PLC	-	△	72	PLC	-	△
73	PLC	-	△	73	PLC	-	△	73	PLC	-	△
74	PLC	-	△	74	PLC	-	△	74	PLC	-	△
75	PLC	-	△	75	PLC	-	△	75	PLC	-	△
76	PLC	-	△	76	PLC	-	△	76	PLC	-	△
77	PLC	-	△	77	PLC	-	△	77	PLC	-	△
78	PLC	-	△	78	PLC	-	△	78	PLC	-	△
79	PLC	-	△	79	PLC	-	△	79	PLC	-	△
80	PLC	-	△	80	PLC	-	△	80	PLC	-	△
81	PLC	-	△	81	PLC	-	△	81	PLC	-	△
82	PLC	-	△	82	PLC	-	△	82	PLC	-	△
83	PLC	-	△	83	PLC	-	△	83	PLC	-	△
84	PLC	-	△	84	PLC	-	△	84	PLC	-	△
85	PLC	-	△	85	PLC	-	△	85	PLC	-	△
86	PLC	-	△	86	PLC	-	△	86	PLC	-	△
87	PLC	-	△	87	PLC	-	△	87	PLC	-	△
88	PLC	-	△	88	PLC	-	△	88	PLC	-	△
89	PLC	-	△	89	PLC	-	△	89	PLC	-	△
90	PLC	-	△	90	PLC	-	△	90	PLC	-	△
91	PLC	-	△	91	PLC	-	△	91	PLC	-	△
92	PLC	-	△	92	PLC	-	△	92	PLC	-	△
93	PLC	-	△	93	PLC	-	△	93	PLC	-	△
94	PLC	-	△	94	PLC	-	△	94	PLC	-	△
95	PLC	-	△	95	PLC	-	△	95	PLC	-	△
96	PLC	-	△	96	PLC	-	△	96	PLC	-	△
97	PLC	-	△	97	PLC	-	△	97	PLC	-	△
98	PLC	-	△	98	PLC	-	△	98	PLC	-	△
99	PLC	-	△	99	PLC	-	△	99	PLC	-	△
100	PLC	-	△	100	PLC	-	△	100	PLC	-	△

AMP 1471-8 REV 30MAR2000  
 PFC/ENGINEER DRAWING