

VS-08-A-RJ45/LP-1-IP 20

Order No.: 1688641

<http://eshop.phoenixcontact.de/phoenix/treeViewClick.do?UID=1688641>RJ45 panel mounting frame, 1x, IP20, for PCB assembly, for socket
inserts, without mounting screws**Ethernet**

Commercial data	
EAN	4017918607913
Pack	5 pcs.
Customs tariff	85389099
Weight/Piece	0.00109 KG
Catalog page information	Page 169 (PC-2007)

Product notesWEEE/RoHS-compliant since:
12/01/2005

<http://www.download.phoenixcontact.com>
Please note that the data given here has been taken from the online catalog. For comprehensive information and data, please refer to the user documentation. The General Terms and Conditions of Use apply to Internet downloads.

Technical data**Mechanical characteristics**

Number of slots	1
Color	gray
Ambient temperature (operation)	-40 °C ... 80 °C

Material data

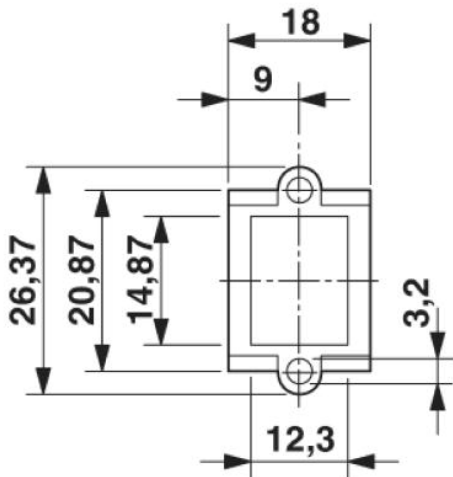
Inflammability class acc. to UL 94	V0
Housing material	PA
Material	Plastic
Degree of protection	IP20

Accessories

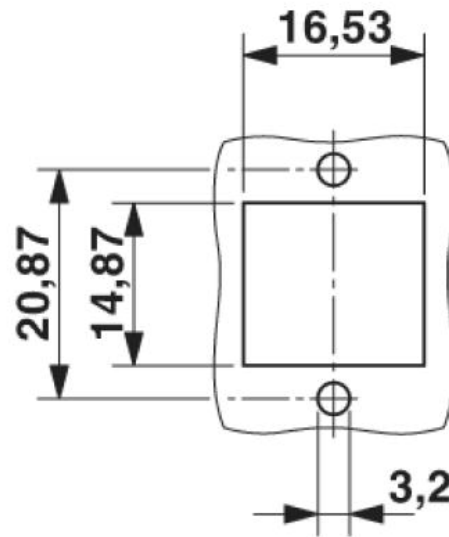
Item	Designation	Description
Female insert		
1688586	VS-08-BU-RJ45/LP-1	RJ45 socket insert, 1x, for PCB assembly, CAT5e, 8-pos., shielded, with angled solder pins

Diagrams/Drawings

Dimensioned drawing



RJ45 panel mounting frame, IP20



Panel cutout

Address

PHOENIX CONTACT Deutschland GmbH
Flachsmarktstr. 8
32825 Blomberg, Germany
Phone +49 5235 3 12000
Fax +49 5235 3 41200
<http://www.phoenixcontact.de>



© 2010 Phoenix Contact
Technical modifications reserved;