

USB 2.0 PROTECTION CAPS FOR INSTALLATION SHELL

Plastic- and metal design



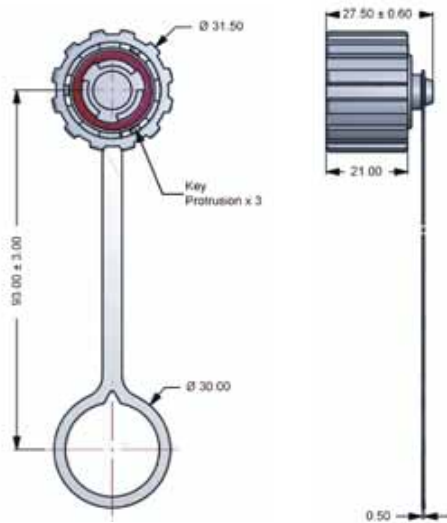
RoHS compliant

DESCRIPTION

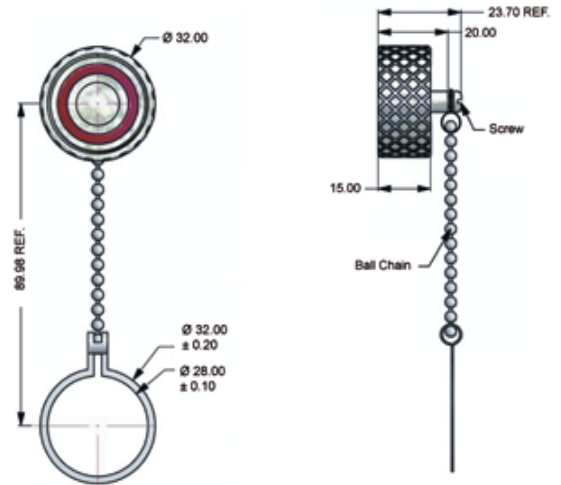
- Optimal IP67 protection of the interface in unmated condition
- Metal design with M28 thread
- Plastic design with bayonet locking

PRODUCT DRAWING

Plastic design / Bayonet locking



Metal design / M28 thread



ORDER DATA

Type	Material	Termination	Part Number
Protection cap	Plastic/ Black	Bayonet locking	17-10002
Protection cap	Metal/ Brass nickel plated	M28 Thread	17-100950