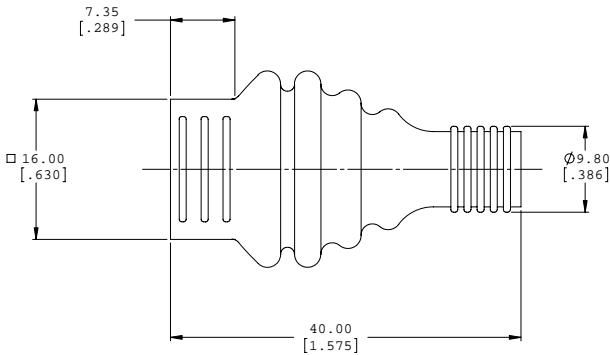
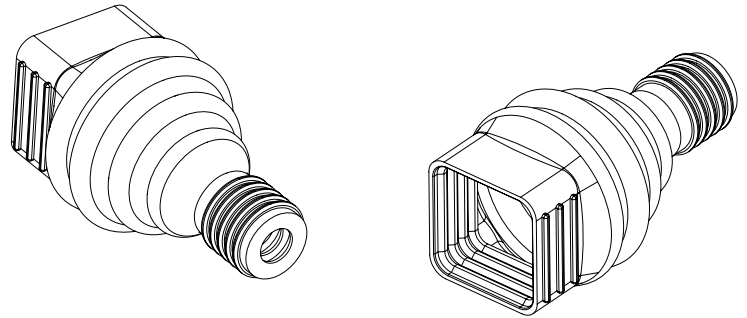
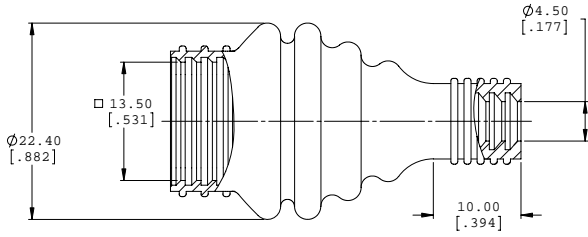


REVISIONS			
REV	ECN, ERN NO.	DATE	APPRD.
B	ECN E08315	NOV20/07	K.L.



NOTES:

1. MATERIAL: CLEAR SILICONE RUBBER.
2. OPERATING TEMPERATURE: -40°C TO +150°C.
3. PART IS ROHS COMPLIANT PER EU DIRECTIVE 2002/95/EC AND AMENDMENTS.
4. PART SUPPLIED BULK PACKED.

AMPHENOL PART NUMBER MRJ-258E-11-BP



UNLESS OTHERWISE SPECIFIED:		DATE	Amphenol Canada Corp.	
DIMENSIONS ARE IN MILLIMETERS	DRAWN	A.DODDS	TITLE:	
TOLERANCES	DESIGNED		MRJ SERIES BOOT FOR	
FRACTIONAL ±	CHECKED	K.LAMBE	RJ PLUG & CABLE,	
ANGULAR MATCH ±	APP'D		RoHS COMPLIANT	
TWO PLACE DECIMAL ±			SIZE	DWG. NO.
THREE PLACE DECIMAL ±			C	P-MRJ-258E-11-BP
			REV	B
NET/NET GEOMETRIC:	ENG. DES. NO.	EAR F13132	SCALE:	3:1
FINISHING: P/S	APP'D		WEIGHT:	
MATERIAL:	REF.		SHEET	1 OF 1
NEXT ASSY	USED ON			
APPLICATION	DO NOT SCALE DRAWING			

PROPRIETARY AND CONFIDENTIAL
THIS DOCUMENT CONTAINS
PROPRIETARY INFORMATION AND SUCH
INFORMATION MAY NOT BE DISCLOSED
TO OTHERS FOR ANY PURPOSE OR USED
FOR MANUFACTURING PURPOSES
WITHOUT THE WRITTEN PERMISSION FROM
AMPHENOL CANADA CORP.

DO NOT SCALE DRAWING
THIS DOCUMENT CONTAINS PROPRIETARY INFORMATION AND SUCH INFORMATION MAY NOT BE DISCLOSED TO OTHERS FOR ANY PURPOSE OR USED FOR MANUFACTURING PURPOSES WITHOUT PERMISSION FROM AMPHENOL CANADA CORP.