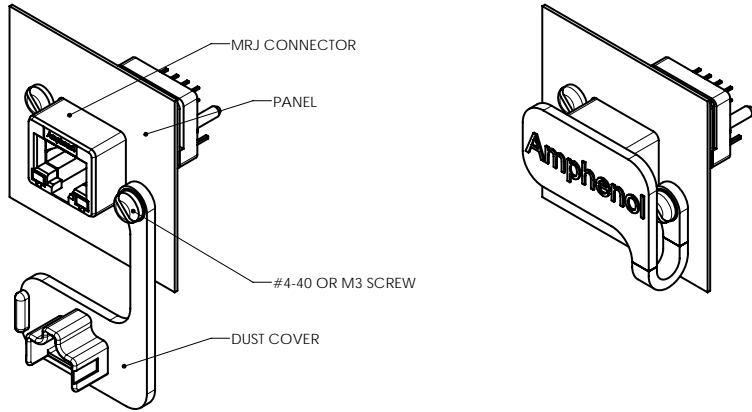
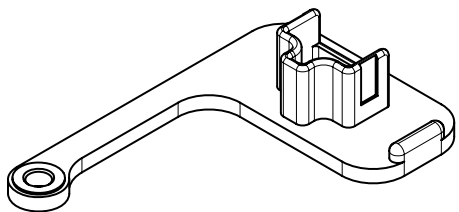
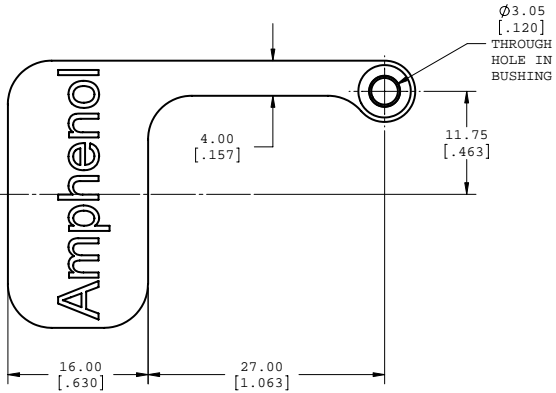
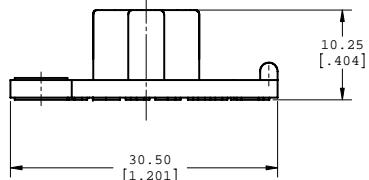
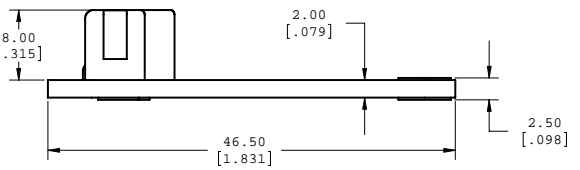


REVISIONS			
REV	ECN, ERN NO.	DATE	APPRD.
A	PRODUCT DRAWING	JUN28/07	K.L.
B	ADD MRJ-2586-20BP (EAR 13215)	FEB07/08	K.L.



AMPHENOL PART NUMBER	COVER COLOR
MRJ-2586-10BP	GREY
MRJ-2586-20BP	BLACK

NOTES:

- MATERIAL:
 - DUST COVER - SILICONE RUBBER, COLOR - SEE CHART.
 - BUSHING - BRASS, NICKEL PLATED.
- OPERATING TEMPERATURE: -40°C TO +105°C.
- PART IS ROHS COMPLIANT PER EU DIRECTIVE 2002/95/EC AND AMENDMENTS.
- PART SUPPLIED BULK PACKED.

TYPICAL APPLICATION MRJ CONNECTOR WITH DUST COVER
SCALE 2:1

DO NOT SCALE DRAWING
THIS DOCUMENT CONTAINS PROPRIETARY INFORMATION AND SUCH INFORMATION MAY NOT BE DISCLOSED TO OTHERS FOR ANY PURPOSE OR USED FOR MANUFACTURING PURPOSES WITHOUT PERMISSION FROM AMPHENOL CANADA CORP.

PROPRIETARY AND CONFIDENTIAL
THIS DOCUMENT CONTAINS PROPRIETARY INFORMATION AND SUCH INFORMATION MAY NOT BE DISCLOSED TO OTHERS FOR ANY PURPOSE OR USED FOR MANUFACTURING PURPOSES WITHOUT PERMISSION FROM AMPHENOL CANADA CORP.

UNLESS OTHERWISE SPECIFIED:		DATE:	Amphenol Canada Corp.
DIMENSIONS ARE IN MILLIMETERS	DRAWN: A.DODDS	APPROVED:	TITLE:
TOLERANCES:	DESIGNED:		MRJ SERIES DUST COVER FOR
FRACTIONAL ±	CHECKED: K.LAMBE		RECEPTACLE CONNECTOR,
ANGULAR MATCH ± BEND ±	E. APPRD.		INTERNAL STYLE, ROHS COMPLIANT
TWO PLACE DECIMAL ±	C. A. APPRD.		SIZE: DWG. NO.
THREE PLACE DECIMAL ±	ENG. DESIGNED:		C/P-MRJ-2586-X0BP
	ENG. REL. NO.: EAR F13132		REV: B
NEAREST GEOMETRIC TOLERANCING: ±	REF:		SCALE: 3:1
MATERIAL:	DO NOT SCALE DRAWING		WEIGHT:
NEXT ASSY:	USED ON:		SHEET 1 OF 1
APPLICATION:			