

4

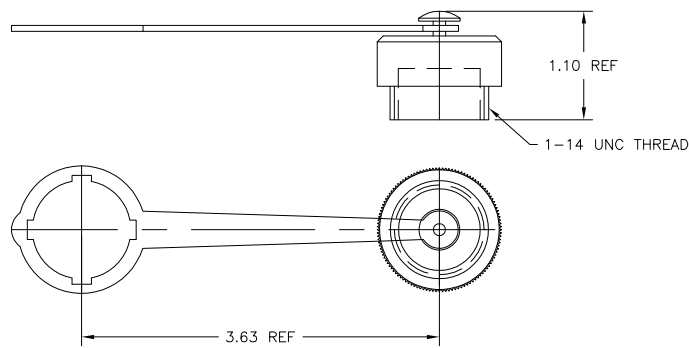
3

2

1

THIS DRAWING IS UNPUBLISHED. RELEASED FOR PUBLICATION
 © COPYRIGHT - BY TYCO ELECTRONICS CORPORATION. ALL RIGHTS RESERVED.

LOC	DIST	REVISIONS				
P	LTR	DESCRIPTION	DATE	DWN	APVD	
FT	0					
		C	REVISED PER ECO-06-16025	7/7/06	SS DC	



	1-1546408-1
SUPERSEDED	1546408-1
	PART NO.

THIS DRAWING IS A CONTROLLED DOCUMENT.		DWN	S SCHLEGEL	5/29/03	tyco Electronics	Tyco Electronics Corporation Harrisburg, PA 17105-3608			
DIMENSIONS: INCHES		CHK	H WAKEEM	5/29/03		NAME	IP67 RATED CLOSURE CAP FOR CORDSET (MALE) WITH LANYARD		
TOLERANCES UNLESS OTHERWISE SPECIFIED:		APVD	H WAKEEM	5/29/03	PRODUCT SPEC	SIZE	CAGE CODE	DRAWING NO	RESTRICTED TO
0 PLC ± -		APPLICATION SPEC			WEIGHT	A3	00779	C=1546408	
1 PLC ± -		MATERIAL			CUSTOMER DRAWING	SCALE	NTS	SHEET	1 OF 1
2 PLC ± .02		FINISH						REV	C
3 PLC ± .005									
4 PLC ± -									
ANGLES ± 2°									

AMP 1470-19 REV 31MAR2000