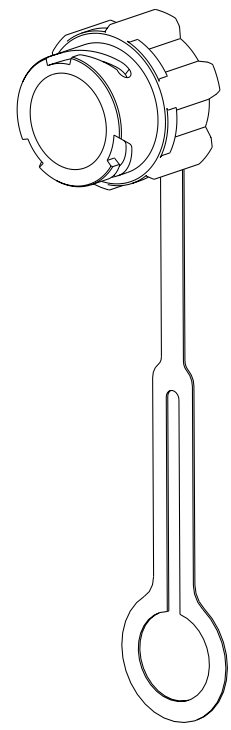
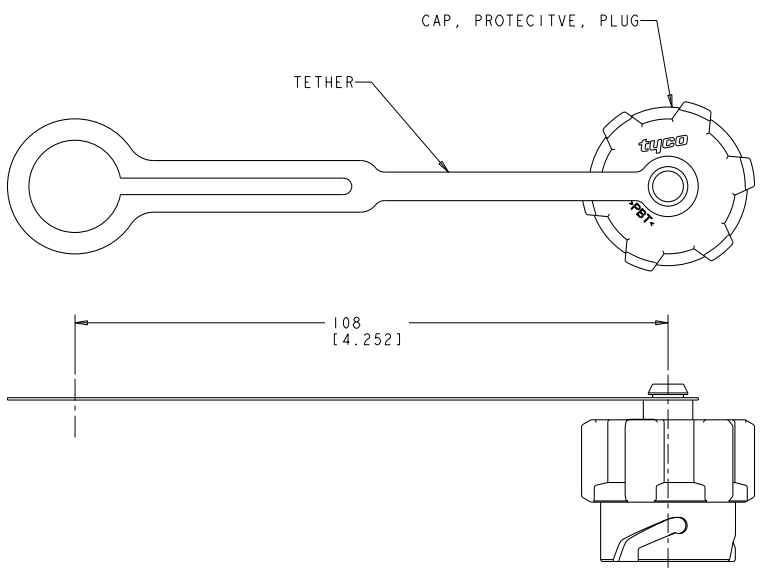


THIS DRAWING IS UNPUBLISHED. RELEASED FOR PUBLICATION
 BY TYCO ELECTRONICS CORPORATION. ALL RIGHTS RESERVED.

REVOLUTIONS		DATE	BY	APPROV
P	LYA			
A	REL TO ACTIVE PER ECR-08-029127	10DEC2008	DDE	DDE

△ MATERIAL:
 CAP: PBT, COLOR: BLACK *
 TETHER: PC, COLOR: BLACK *
 * UL 94 V-0 RATED AT QUALIFIED THICKNESS.



1828740-1
 PART NO

DIMENSIONS: mm 		TO MANUFACTURE: 0 PLC - 1 PLC - 2 PLC - 3 PLC - 4 PLC - ANGLES - FINISH -	TO MANUFACTURE: 0 PLC - 1 PLC - 2 PLC - 3 PLC - 4 PLC - ANGLES - FINISH -	AUTH: D EIRDMAN 21JUL2005 CHK: M GURREAL 21JUL2005 APPR: D BAICHTLE 21JUL2005	NAME: ASSEMBLY, PROTECTIVE CAP, PLUG, SEALED INDUSTRIAL LC SIZE: A CASE CODE: 200779 DRAWING NO: 1828740	RESTRICTED TO: - SCALE: 2:1 SHEET: 1 OF 1 REV: A
-----------------------	--	--	--	---	---	---