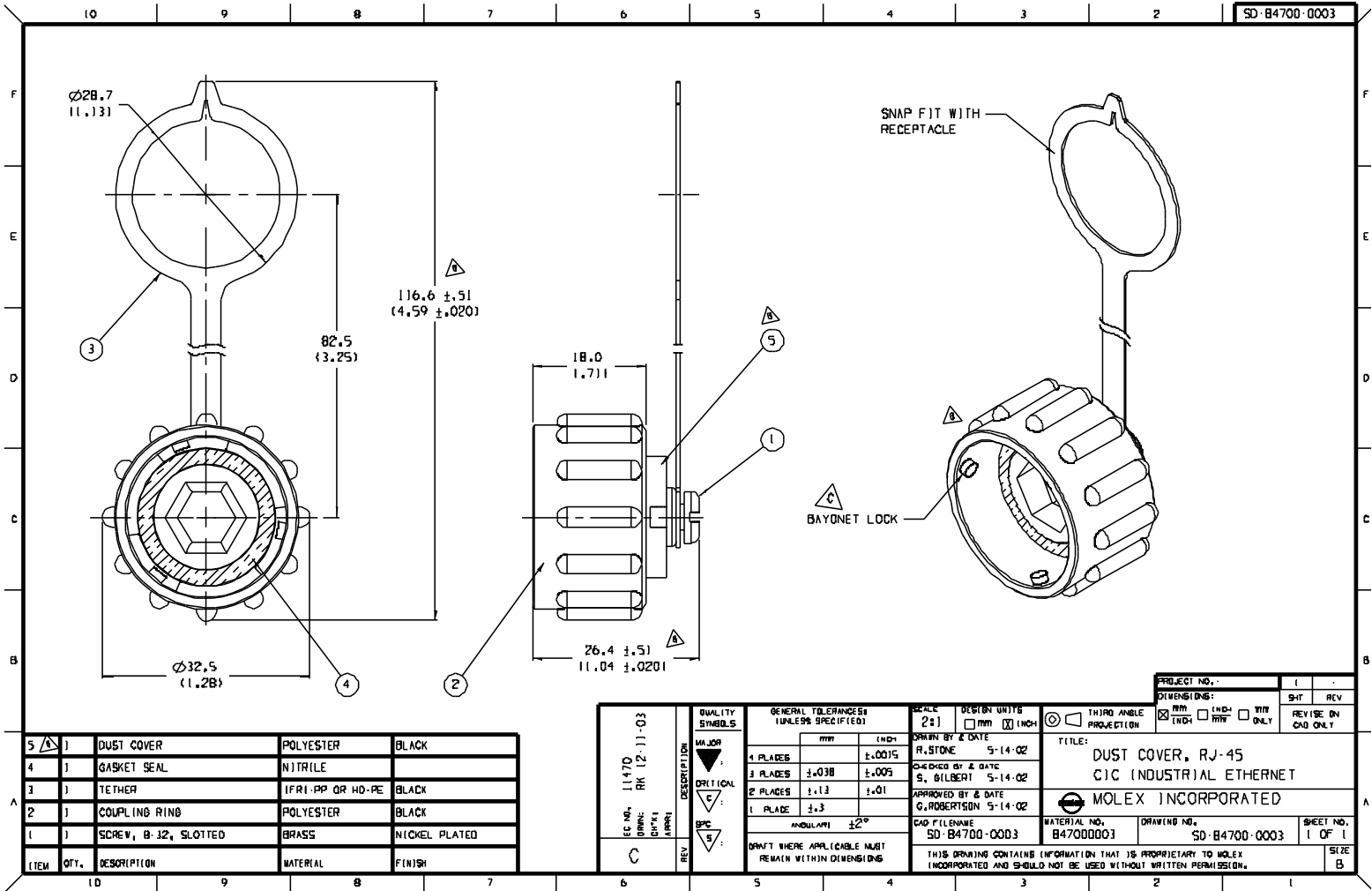


Thursday, December 18, 2003 10:44:45



SD-B4700-0003

ITEM	QTY.	DESCRIPTION	MATERIAL	FINISH
5	1	DUST COVER	POLYESTER	BLACK
4	1	GASKET SEAL	NITRILE	
3	1	TETHER	IFR1-PP OR HD-PE	BLACK
2	1	COUPLING RING	POLYESTER	BLACK
1	1	SCREW, 8-32, SLOTTED	BRASS	NICKEL PLATED

EC NO. 11470 DRNG. RYK (2-11)-03 DATE: APR01	DESCRIPTION MAJOR OPTIONAL SPEC	GENERAL TOLERANCES UNLESS SPECIFIED:	SCALE: 2:1 DESIGN UNITS: <input type="checkbox"/> MM <input checked="" type="checkbox"/> INCH	THIRD ANGLE PROJECTION	PROJECT NO.: DIMENSIONS: <input checked="" type="checkbox"/> MM <input type="checkbox"/> INCH <input type="checkbox"/> BOTH REVISE ON CAD ONLY		
		DRIFT WHERE APPLICABLE MUST REMAIN WITHIN DIMENSIONS	DRAWN BY & DATE R. STONE 5-14-02	CHECKED BY & DATE S. GILBERT 5-14-02	APPROVED BY & DATE G. ROBERTSON 5-14-02	TITLE: DUST COVER, RJ-45 CIC INDUSTRIAL ETHERNET	MATERIAL NO. B47000003

THIS DRAWING CONTAINS INFORMATION THAT IS PROPRIETARY TO MOLEX INCORPORATED AND SHOULD NOT BE USED WITHOUT WRITTEN PERMISSION.