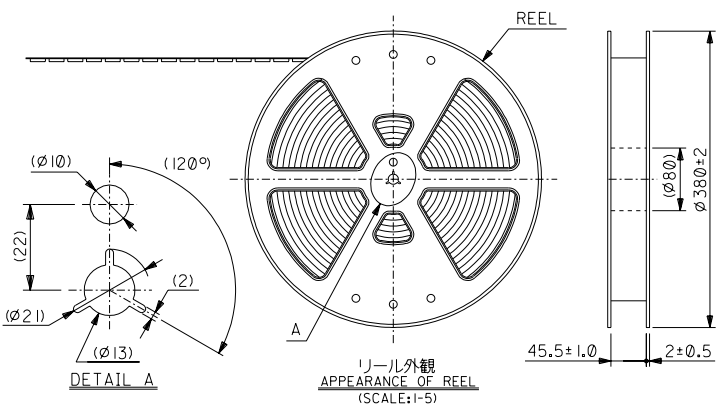
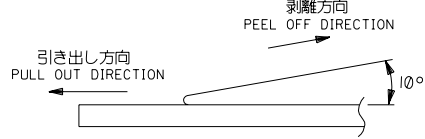


DWG. NO. SD-500990-001



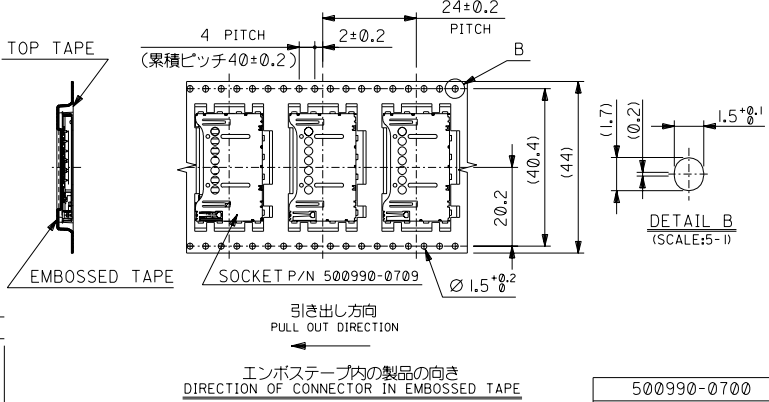
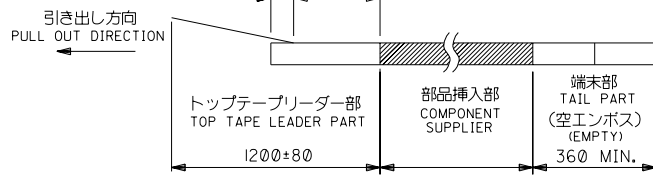
3. トップテープの剥離強度: 0.1 ~ 1.3N (10.2 ~ 130gf)  
 <剥離速度: 300mm/min (参考)> (剥離方向は下図参照)  
 PEEL-OFF FORCE OF TOP TAPE: 0.1 ~ 1.3 N (10.2 ~ 130gf)  
 (PEELING DIRECTION AS SHOWN IN FOLLOWING FIG.)  
 <PEEL-OFF SPEED: 300mm/min (REF.)>



4. 材料  
 キャリアテープ: ポリプロピレン (PP)  
 トップテープ: PET, PE, PEF  
 リール: ポリスチレン (PS) <リサイクル材を含む>  
 MATERIAL CARRIER TAPE: POLYPROPYLENE  
 TOP TAPE: PET, PE, PEF  
 REEL: POLYSTYRENE <RECYCLE MATERIAL CONTAINED>

注記  
NOTES

- 梱包数量: 900 個/リール  
NUMBER OF CONNECTORS: 900PCS/REEL
- リードテープ長さ  
LEAD TAPE LENGTH



500990-0700  
 製品番号  
 MATERIAL No.

DO NOT SCALE DRAWING	EC NO.	DRWN:	CHK:	APPR:	RELEASED EC NO. J2004-4486 DRWN: SHINYAMA CHK: H.TAKASE APPR: YO.ITO	MATERIAL	GENERAL TOLERANCES:	SCALE	DESIGN UNITS	THIRD ANGLE	TITLE: EMBOSSED TAPE PACKAGE FOR 500990-0709 (RS MMC SOCKET NORMAL TYPE) -LEAD FREE-	MATERIAL NO. SD-500990-001	DRAWING NO. SD-500990-001	SHEET NO. 1 OF 1
	EC NO.	DRWN:	CHK:	APPR:		SEE CHART	(UNLESS SPECIFIED)	1-1	mm	PROJECTION				
	EC NO.	DRWN:	CHK:	APPR:		FINISH	10 UNDER	±0.2	mm	DATE				
	EC NO.	DRWN:	CHK:	APPR:		仕上げ	10 OVER	±0.25	mm	03/12/03				
					DESCRIPTION	SEE CHART	30 UNDER	±0.25	mm	DATE				
					REV	WIRE RANGE	30 OVER	±0.3	mm	DATE				
						適用電線範囲	ANGLE	角度	°	03/12/03				
						被覆外径								

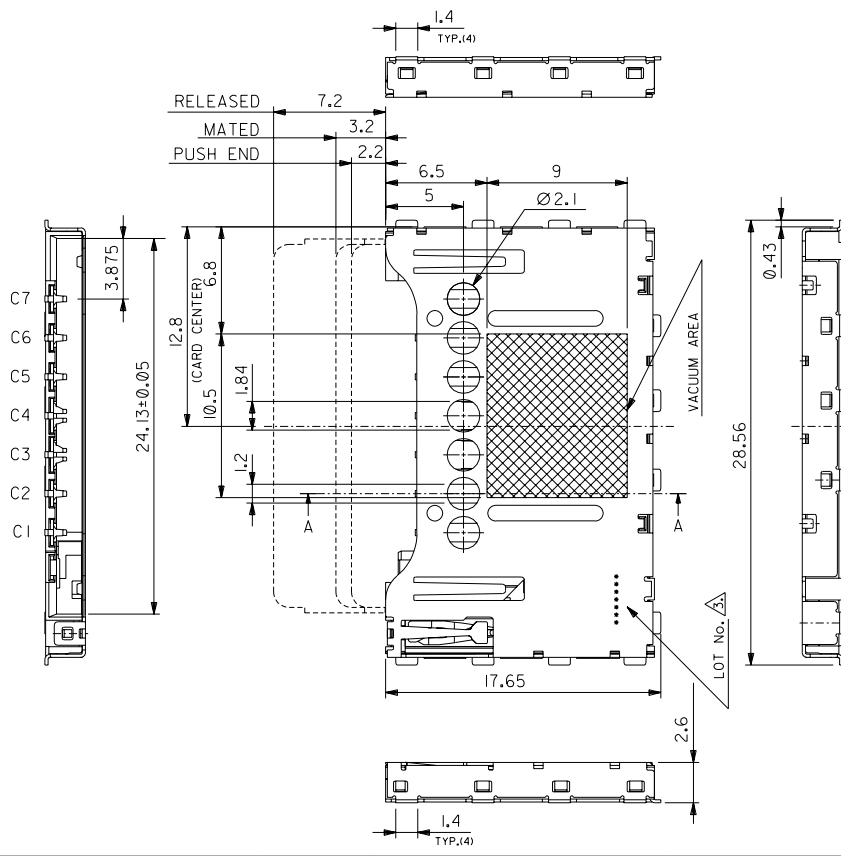
THIS DRAWING CONTAINS INFORMATION THAT IS PROPRIETARY TO MOLEX INCORPORATED AND SHOULD NOT BE USED WITHOUT WRITTEN PERMISSION.

EN-02J(097) MXJ-54

DWG. NO. SD-500990-002

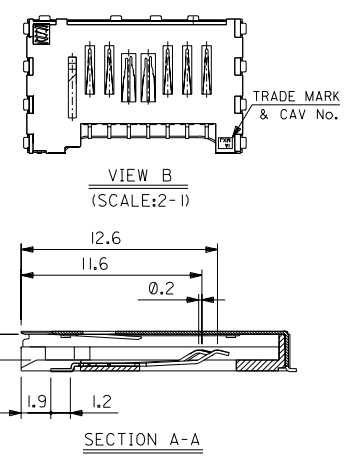
DO NOT SCALE DRAWING

8 7 6 5 4 3 2 1



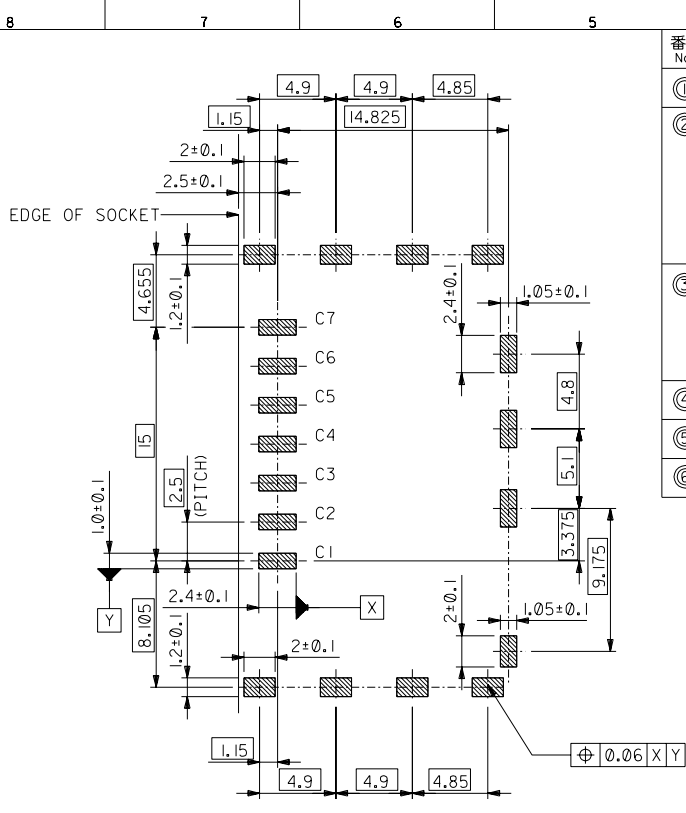
NOTES

- 1. ターミナルおよびネールの平坦度は 0.10 MAX.  
TERMINAL AND NAIL COPLANARITY TO BE 0.10 MAX.
- 2. 納入時、スライドカムは非ロック状態  
WHEN DELIVERING, THE SLIDER CAM IS IN THE STATE OF THE UNLOCK.
- 3. ロットNo. \* \* \* \* \*  
LOT No. 2004 : END OF YEAR  
MONTH  
DAY  
PLACE  
LINE No.



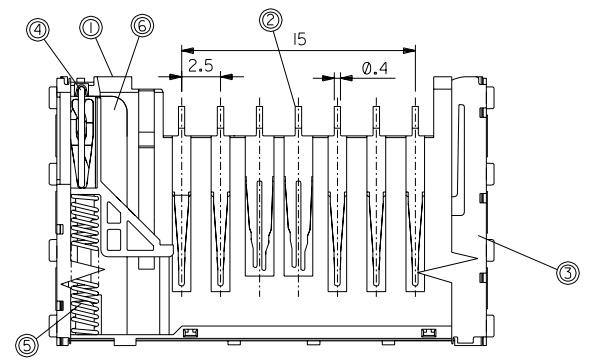
500990-0709  
製品番号  
MATERIAL No.

EC NO. DRWN: CHK: APPR:		EC NO. DRWN: CHK: APPR:		EC NO. DRWN: CHK: APPR:		EC NO. J2004-4486 DRWN: SHINYAMA CHK: H. TAKASE APPR: Y. ITO		MATERIAL 材料 SEE CHART		GENERAL TOLERANCES: (UNLESS SPECIFIED) 一般公差		SCALE 4-1		DESIGN UNITS <input checked="" type="checkbox"/> mm <input type="checkbox"/> INCH		THIRD ANGLE PROJECTION		DIMENSIONS: <input type="checkbox"/> mm <input type="checkbox"/> INCH <input checked="" type="checkbox"/> mm ONLY		SHT REV	
						REV DESCRIPTION		FINISH 仕上り SEE CHART		10 UNDER 未満 +0.2		DRAWN BY & DATE M. SHINYAMA 03/12/01		TITLE: RS MMC SOCKET NORMAL TYPE HOUSING ASS'Y				REVISE ON CAD ONLY			
						WIRE RANGE 適用電線範囲		INS. RANGE 被覆外径		10 OVER 以上 30 UNDER 未満 +0.25		CHECKED BY & DATE S. Takase 03/12/01				MATERIAL NO. SEE TABLE		DRAWING NO. SD-500990-002		SHEET NO. 1 OF 2	
										30 OVER 以上 +0.3		APPROVED BY & DATE S. Takase 03/12/01		MATERIAL NO. SEE TABLE		DRAWING NO. SD-500990-002		SHEET NO. 1 OF 2		SIZE B	
										ANGLE 角度 +3°		CAD FILENAME SD-500990-002.S01		MATERIAL NO. SEE TABLE		DRAWING NO. SD-500990-002		SHEET NO. 1 OF 2		EN-02J(097) MXJ-54	



推奨基板寸法  
RECOMMENDED P.C. BOARD LAYOUT

番号 No.	部品 PARTS	材質/仕上げ MATERIAL/REMARKS
①	ハウジング HOUSING	LCP, UL94V-0, 色:黒 LIQUID CRYSTAL POLYMER, UL94V-0, BLACK
②	ターミナル TERMINAL	銅合金(燐青銅) C5210R-EH, t=0.2) COPPER ALLOY (PHOSPHOR BRONZE C5210R-EH, t=0.2) めっき仕様 接点部:金めっき 0.6マイクロメートル以上 CONTACT: Au PLATING, 0.6 MICRO METER MINIMUM 半田付け部:銀めっき 1~3マイクロメートル以上 SOLDER: Sn PLATING, 1~3 MICRO METER MINIMUM 下地めっき:ニッケルめっき 2マイクロメートル以上 UNDER PLATING: Ni PLATING, 2 MICRO METER MINIMUM
③	メタルシェル METAL SHELL	ステンレス鋼, t=0.2, STAINLESS STEEL(SUS304), t=0.2, SOLDERABILITY IMPROVEMENT COAT めっき仕様 下地めっき:ニッケルめっき 2マイクロメートル以上 PLATING UNDER PLATING: Ni PLATING, 2 MICRO METER MINIMUM 半田付け処理(金,パラジウムコート) SOLDERABILITY IMPROVEMENT COAT(Au & Pd COAT)
④	カムピン CAM PIN	ステンレス鋼 STAINLESS STEEL (SUS304)
⑤	スプリング COIL SPRING	ピアノ線, ニッケルめっき PIANO WIRE (SWP), NICKEL PLATING
⑥	スライドカム SLIDER CAM	LCP, UL94V-0, 色:黒 LIQUID CRYSTAL POLYMER, UL94V-0, BLACK



DO NOT SCALE DRAWING			MATERIAL 材料 SEE CHART		GENERAL TOLERANCES: (UNLESS SPECIFIED) 一般公差		SCALE 4:1		DESIGN UNITS <input checked="" type="checkbox"/> mm <input type="checkbox"/> INCH		THIRD ANGLE PROJECTION		DIMENSIONS: <input type="checkbox"/> mm <input type="checkbox"/> INCH <input checked="" type="checkbox"/> mm ONLY		SHT REV	
EC NO. DRWN: CHK'g: APPR:			FINISH 仕上り SEE CHART		10 UNDER 未満		DRAWN BY & DATE M. Hirayama 03/12/01		CHECKED BY & DATE S. Takase 03/12/01		TITLE: RS MMC SOCKET NORMAL TYPE HOUSING ASS'Y -LEAD FREE-		MATERIAL NO.		SHEET NO.	
EC NO. DRWN: CHK'g: APPR:			WIRE RANGE 適用電線範囲		30 OVER 以上		APPROVED BY & DATE S. Takase 03/12/01		CAD FILENAME SD-500990-002.S02		MOLEX INCORPORATED		DRAWING NO. SD-500990-002		2 OF 2	
EC NO. DRWN: CHK'g: APPR:			INS. RANGE 被覆外径		ANGLE 角度		±3°		MATERIAL NO. SD-500990-002.S02		SEE TABLE		SD-500990-002		SIZE B	
EC NO. DRWN: CHK'g: APPR:			REV		0										EN-02J(097) MXJ-54	