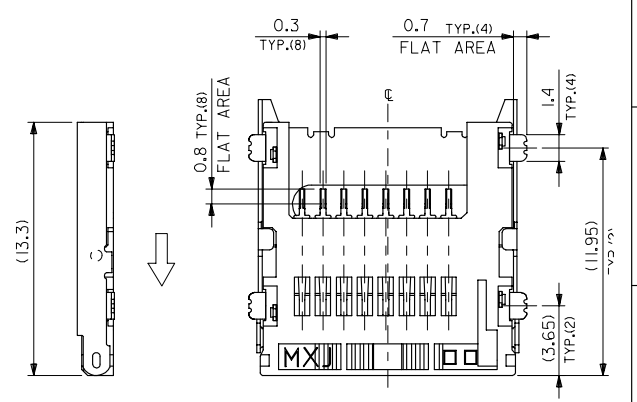


NO.	PARTS DESCRIPTION	QTY	MATERIAL	FINISH
①	HOUSING	1	LIQUID CRYSTAL POLYMER (WHITE)	→
②	TERMINAL	8	PHOSPHOR BRONZE	CONTACT AREA: GOLD 0.5um MIN. SOLDER AREA: TIN 1.0um MIN. UNDER PLATING NICKEL 1.0um MIN.
③	SHELL	1	STAINLESS STEEL	→
④	NAIL	4	PHOSPHOR BRONZE	ALL OVER: TIN 1.0um MIN.

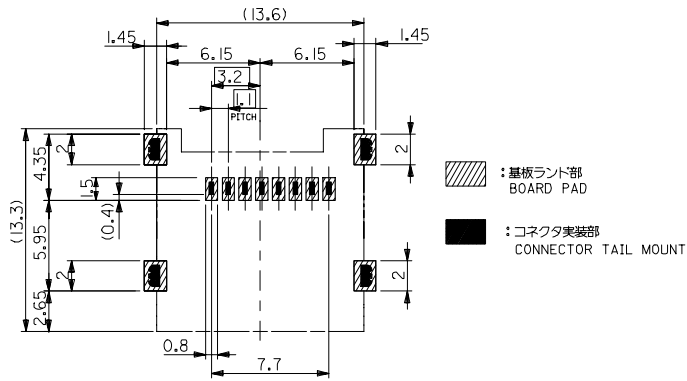


NOTE

* EACH TERMINALS AND NAILS COPLANARITY TO BE 0.1 MAX.

WITH EMBOSSED TAPE	500901-0800	500901-08**
CONNECTOR ONLY	500901-0819	
PACKAGE	MATERIAL No.	MODEL No.

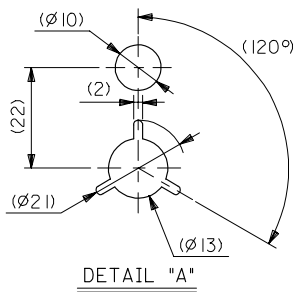
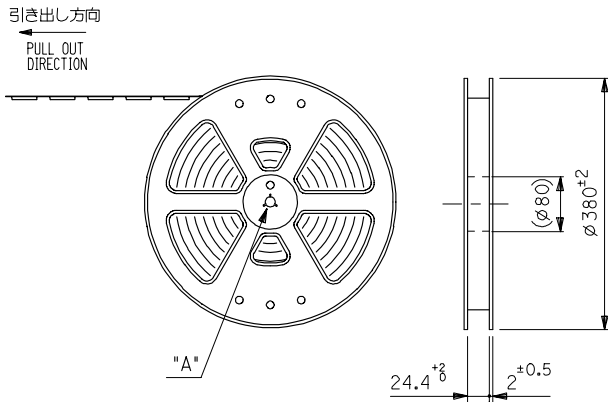
REVISED EC NO. J2005-2205 DRAWN BY TWATANABE 2005/02/03 CHECKED BY HTAKASE 2005/02/03 APPR. IMI YAZAWA 2005/02/08	GENERAL TOLERANCES (UNLESS SPECIFIED)		DIMENSION STYLE MM ONLY		SCALE 5:1	DESIGN UNITS METRIC	THIRD ANGLE PROJECTION
	10 UNDER	±0.2	DRAWN BY	DATE	TITLE		
	10 OVER 30 UNDER	±0.25	TWATANABE	03/9/30	TFR MEMORY CARD CONN. HINGE TYPE		
	30 OVER	±0.3	CHECKED BY	DATE	MOLEX INCORPORATED		
	ANGULAR ±3°	DRAFT WHERE APPLICABLE MUST REMAIN WITHIN DIMENSIONS		APPROVED BY	DATE	MATERIAL NO. SEE CHART	
				YOITO	03/9/30	DOCUMENT NO. SD-500901-001	
				SIZE A3		SHEET NO. 1 OF 2	
				THIS DRAWING CONTAINS INFORMATION THAT IS PROPRIETARY TO MOLEX INCORPORATED AND SHOULD NOT BE USED WITHOUT WRITTEN PERMISSION			



推奨基板寸法(上面図) 一般公差:±0.05
 RECOMMENDED P.C. BOARD LAYOUT(TOP VIEW)
 GENERAL TOLERANCES : ±0.05

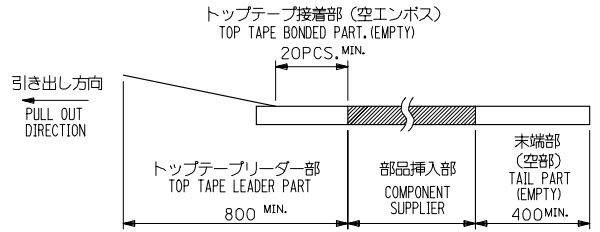
REVISED EC NO. J2005-2205 DRAWN BY TWATANABE 2005/02/03 CHKD: TWATANABE 2005/02/03 APPR: IMI YAZAWA 2005/02/08	GENERAL TOLERANCES (UNLESS SPECIFIED)		DIMENSION STYLE MM ONLY		SCALE 4:1	DESIGN UNITS METRIC	THIRD ANGLE PROJECTION
	10 UNDER	±0.2	DRAWN BY TWATANABE	DATE 03/9/30	TITLE TFR MEMORY CARD CONN. HINGE TYPE		
	10 OVER 30 UNDER	±0.25	CHECKED BY HTAKASE	DATE 03/9/30			
	30 OVER	±0.3	APPROVED BY YOITO	DATE 03/9/30	MOLEX INCORPORATED		
ANGULAR	±3 °	MATERIAL NO. SEE CHART		DOCUMENT NO. SD-500901-001			
DRAFT WHERE APPLICABLE MUST REMAIN WITHIN DIMENSIONS		SIZE A3			THIS DRAWING CONTAINS INFORMATION THAT IS PROPRIETARY TO MOLEX INCORPORATED AND SHOULD NOT BE USED WITHOUT WRITTEN PERMISSION		

10 9 8 7 6 5 4 3 2 1

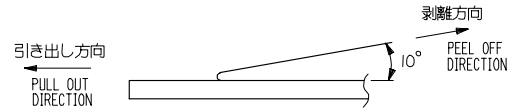


NOTES

- 製品詳細寸法については、SD図面を参照下さい。
THE DETAIL DIMENSIONS REFER TO SALES DRAWING.
- 梱包数量：1400個/リール
NUMBER OF CONNECTORS：1400PCS/REEL
- リードテープ長さ LEAD TAPE LENGTH



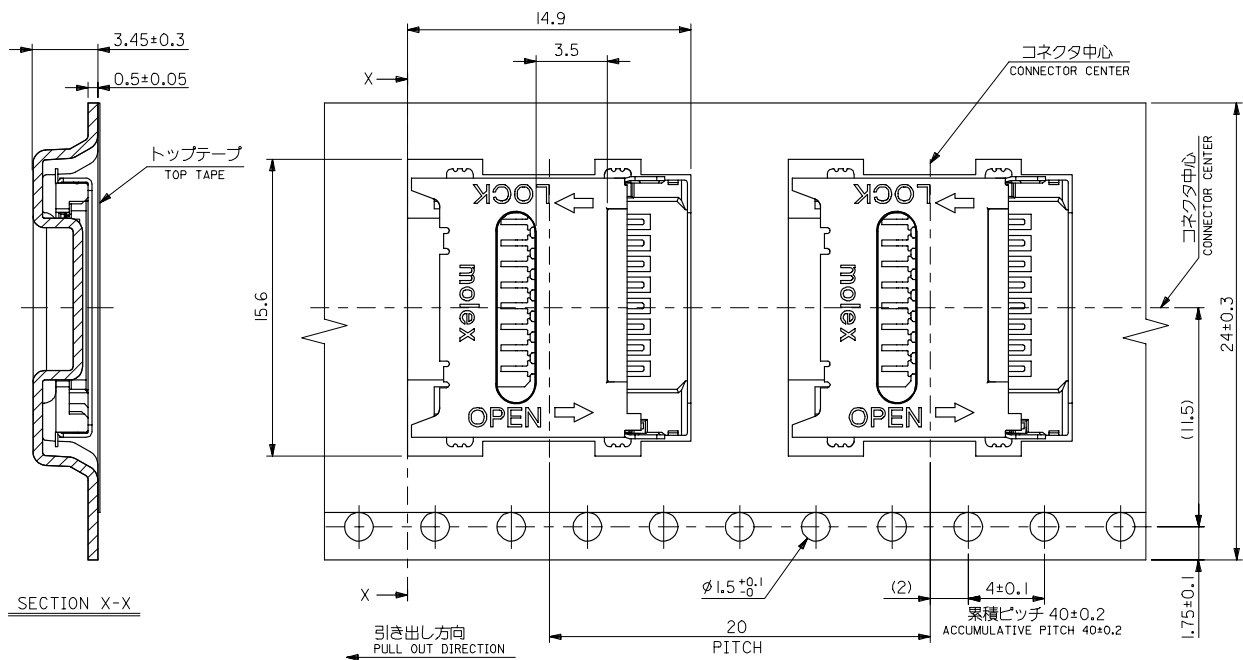
- トップテープの剥離強度：0.1N～1.3N (10.2gf～130gf) (剥離方向は下図参照)
尚、本規格値は出荷時に適用。(但し、輸送時に剥離が発生しないこと。)
PEEL FORCE OF TOP TAPE：0.1N～1.3N (10.2gf～130gf)
(PEEL DIRECTION AS SHOWN IN FOLLOWING FIG.)
THIS REQUIREMENT SHOULD BE APPLIED AT SHIPMENT.
PEEL OFF SHOULD NOT BE ALLOWED, DURING TRANSPORTATION.



5. 材料 (MATERIAL)

キャリアテープ (CARRIER TAPE)：ポリプロピレン (POLYPROPYLENE)
トップテープ (TOPTAPE)：PET, PE, PEF
リール (REEL)：ポリスチレン (PS) <リサイクル材を含む>
POLYSTYRENE (PS) <RECYCLE MATERIAL CONTAINED>

REVISED REV. NO. J2005-0574 EC NO. 2004/08/31 DRAWN BY CHIKOHTAKASE CHKOHTAKASE 2004/08/31 APPR. IMIYAZAWA 2004/09/02	GENERAL TOLERANCES (UNLESS SPECIFIED)		DIMENSION STYLE MM ONLY		SCALE ---	DESIGN UNITS METRIC	THIRD ANGLE PROJECTION	
	10 UNDER	±0.2	DRAWN BY MSHINYAMA	DATE 03/09/30	TITLE TFR MEMORY CARD CONN. EMBOSSD TAPE PACKAGE			
	10 OVER 30 UNDER	±0.25	CHECKED BY HTAKASE	DATE 03/09/30				
	30 OVER	±0.3	APPROVED BY YOITO	DATE 03/09/30				
ANGULAR	±3 °	MATERIAL NO. 500901-0800		DOCUMENT NO. SD-500901-002		MOLEX INCORPORATED		
DRAFT WHERE APPLICABLE MUST REMAIN WITHIN DIMENSIONS		THIS DRAWING CONTAINS INFORMATION THAT IS PROPRIETARY TO MOLEX INCORPORATED AND SHOULD NOT BE USED WITHOUT WRITTEN PERMISSION						SHEET NO. 1 OF 2



REVISED REC. NO. J2005-0574 2004/08/31 DRAWN BY MSHINUYAMA 2004/08/31 CHKD-HTAKASE 2004/09/02 APPR. IMI YAZAW 2004/09/02 DESCRIPTION	GENERAL TOLERANCES (UNLESS SPECIFIED)		DIMENSION STYLE MM ONLY		SCALE ---	DESIGN UNITS METRIC	THIRD ANGLE PROJECTION
	10 UNDER	±0.2	DRAWN BY MSHINUYAMA	DATE 03/09/30	TITLE TFR MEMORY CARD CONN. EMBOSSED TAPE PACKAGE MOLEX INCORPORATED DOCUMENT NO. SD-500901-002		
	10 OVER 30 UNDER	±0.25	CHECKED BY HTAKASE	DATE 03/09/30			
	30 OVER	±0.3	APPROVED BY YOITO	DATE 03/09/30			
	ANGULAR	±3 °	MATERIAL NO. 500901-0800		SHEET NO. 2 OF 2		
DRAFT WHERE APPLICABLE MUST REMAIN WITHIN DIMENSIONS		SIZE A3	THIS DRAWING CONTAINS INFORMATION THAT IS PROPRIETARY TO MOLEX INCORPORATED AND SHOULD NOT BE USED WITHOUT WRITTEN PERMISSION				