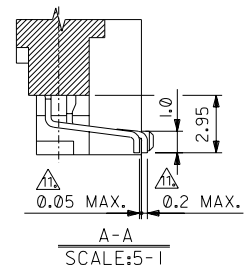
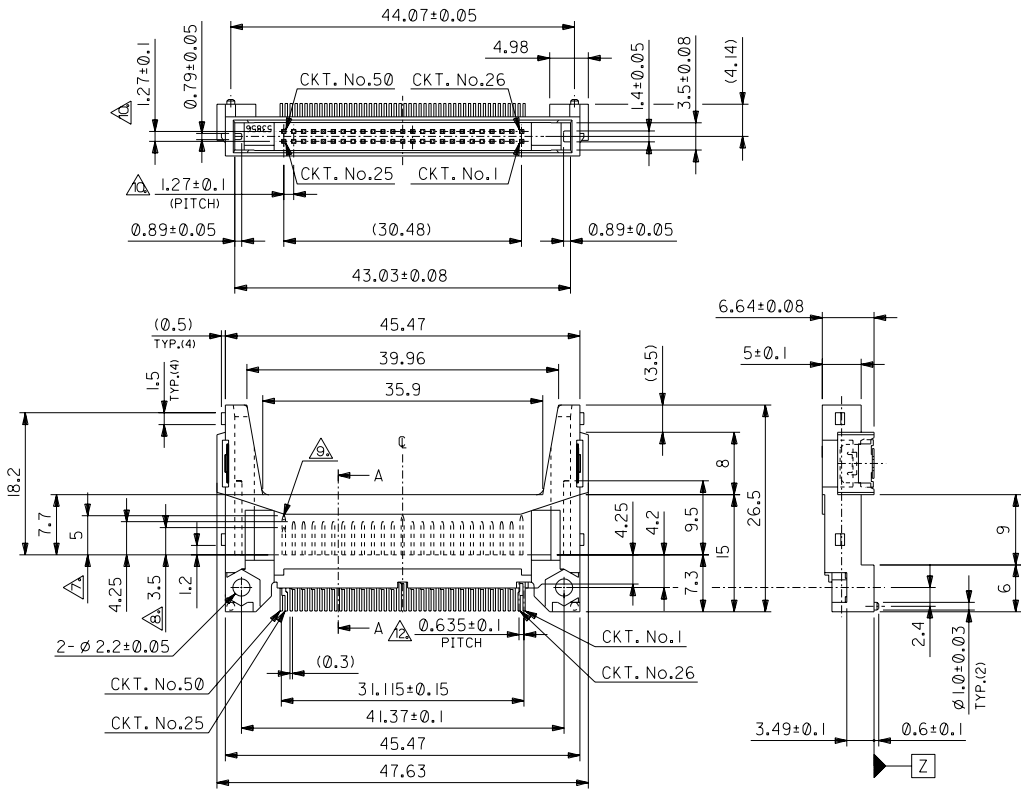


DWG. NO. SD-53856-002

8 7 6 5 4 3 2 1



BLACK	53856-5011	50
WHITE	53856-5010	50
HOUSING COLOR	ENG. No.	No. Of CKT.

DO NOT SCALE DRAWING	EC NO. DRWN: CHK'g: APPR:	EC NO. DRWN: CHK'g: APPR:	EC NO. DRWN: CHK'g: APPR:	EC NO. DRWN: CHK'g: APPR:	EC NO. DRWN: CHK'g: APPR:
----------------------	------------------------------------	------------------------------------	------------------------------------	------------------------------------	------------------------------------

RELEASED EC NO. JD2000-0925 DRWN: THANYU CHK'g: MASA-0 APPR: HIKESUGI	MATERIAL 材料 SEE NOTES	FINISH 仕上行 SEE NOTES	WIRE RANGE 適用電線範圍 —	INS. RANGE 被覆外径 —
---	-----------------------------	----------------------------	---------------------------	-------------------------

GENERAL TOLERANCES: (UNLESS SPECIFIED) 一般公差	SCALE 2 - 1	DESIGN UNITS <input checked="" type="checkbox"/> mm <input type="checkbox"/> INCH	
10 UNDER 未満	+0.2	DRAWN BY & DATE T. HARRY '00/03/10	
10 OVER 以上	30 UNDER 未満	+0.25	CHECKED BY & DATE H. SAITO '00/03/10
30 OVER 以上	+0.3	APPROVED BY & DATE [Signature] '00/03/10	
ANGLE 角度	+3°	CAD FILENAME SD-53856-002.S01	

53856-501*	MODEL No.	DIMENSIONS: <input type="checkbox"/> mm <input type="checkbox"/> INCH <input checked="" type="checkbox"/> mm ONLY	SHT REV
	THIRD ANGLE PROJECTION		REVISE ON CAD ONLY
TITLE: CF CARD CONN. 50P HEADER ASS'Y			
MOLEX INCORPORATED			
MATERIAL NO. SEE CHART	DRAWING NO. SD-53856-002	SHEET NO. 1 OF 2	SIZE B
THIS DRAWING CONTAINS INFORMATION THAT IS PROPRIETARY TO MOLEX INCORPORATED AND SHOULD NOT BE USED WITHOUT WRITTEN PERMISSION.			
EN-02J(097) MXJ-54			

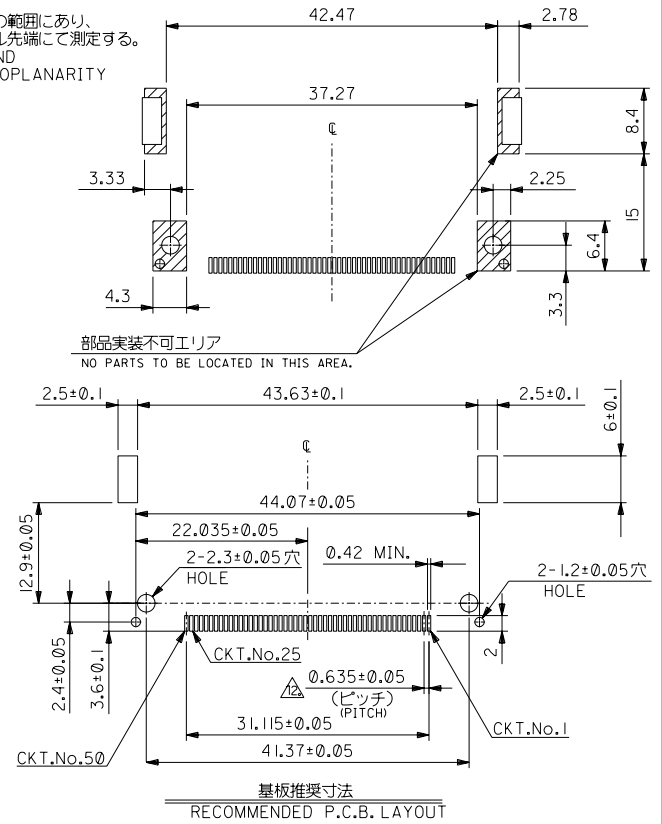
DWG. NO. SD-53856-002

注) NOTES

- 材質
MATERIAL
ハウジング: ガラス入りLCP UL94V-0
HOUSING: LCP G.F. UL94V-0
ピン: リン青銅
PIN: PHOSPHOR BRONZE
ネール: リン青銅
NAIL: PHOSPHOR BRONZE
 - メッキ仕様
PLATING
PIN 接点部: パラジウムニッケル下地、金メッキ
CONTACT AREA: Au OVER Pd-Ni
半田付け部: 半田メッキ
SOLDER TAIL AREA: TIN-LEAD
下地メッキ: ニッケルメッキ
UNDERPLATING: Ni OVER ALL
NAIL 半田メッキ
Sn-Pb
下地メッキ: 銅メッキ
UNDERPLATING: Cu OVER ALL
 - 推奨基板厚: t \geq 0.8 MIN.
RECOMMENDED P.C.B. THICKNESS: t \geq 0.8 MIN.
 - 適合カード厚
RECOMMENDED CARD THICKNESS
接続部: 3.3 \pm 0.1
CONNECTING AREA: 3.3 \pm 0.1
 - 適合カード幅: 42.8 \pm 0.1
RECOMMENDED CARD WIDTH: 42.8 \pm 0.1
 - ハウジング色:
HOUSING COLOR:
53856-5010: 白 (WHITE)
53856-5010: 黒 (BLACK)
- △ 寸法適用極: 1,13,38,50
THIS DIMENSION APPLIES TO CIRCUIT NUMBERS 1,13,38 AND 50.
- △ 寸法適用極: 25,26
THIS DIMENSION APPLIES TO CIRCUIT NUMBERS 25 AND 26.
ピンの倒れは、ピン根元を基準に全方向へ0.1 MAX.とする。
PIN TIP LEAN TOWARD ANY DIRECTION NOT TO EXCEED 0.1 WHEN MEASURED FROM PIN BASE.
- △ ピン根元に適用する。
THIS DIMENSION TO BE MEASURED AT PIN BASE.

△ ソルダーテールは、Z面を基準とし上へ0.05下へ0.2の範囲にあり、目ツルソルダーテールの平坦度は、0.15 MAX.とし、テール先端にて測定する。
SOLDERTAILS TO BE WITHIN 0.05 UPWARD AND 0.2 DOWNWARD FROM Z-DATUM PLACE, AND COPLANARITY OF SOLDERTAILS TO BE WITHIN 0.15. MEASUREMENT POINT IS SOLDERTAILS TIP.

△ 公差非累積
NON-CUMULATIVE



DO NOT SCALE DRAWING

EC NO. DRWN: CHK: APPR:	EC NO. DRWN: CHK: APPR:	EC NO. DRWN: CHK: APPR:	EC NO. DRWN: CHK: APPR:	EC NO. DRWN: CHK: APPR:	EC NO. DRWN: CHK: APPR:	REV	DESCRIPTION	MATERIAL 材料	GENERAL TOLERANCES: (UNLESS SPECIFIED) 一般公差	SCALE 2-1	DESIGN UNITS mm INCH	THIRD ANGLE PROJECTION	DIMENSIONS: mm INCH mm ONLY	SHT	REV			
						0	SEE SHEET 1 OF 2		10 UNDER 未満 +0.2	2-1	mm	mm ONLY						
							FINISH 仕上げ		10 OVER 30 UNDER 未満 +0.25		mm	mm ONLY						
							WIRE RANGE 適用電線範囲		30 OVER 以上 +0.3		mm	mm ONLY						
							INS. RANGE 被覆外径		ANGLE 角度 +3°		mm	mm ONLY						
DRAWN BY & DATE CHECKED BY & DATE APPROVED BY & DATE CAD FILENAME SD-53856-002.S02										TITLE: CF CARD CONN. 50P HEADER ASS'Y MOLEX INCORPORATED					MATERIAL NO. DRAWING NO. SD-53856-002		SHEET NO. 2	
THIS DRAWING CONTAINS INFORMATION THAT IS PROPRIETARY TO MOLEX INCORPORATED AND SHOULD NOT BE USED WITHOUT WRITTEN PERMISSION.																		
EN-02J(097) MXJ-54																		

SD-53856-002.S02