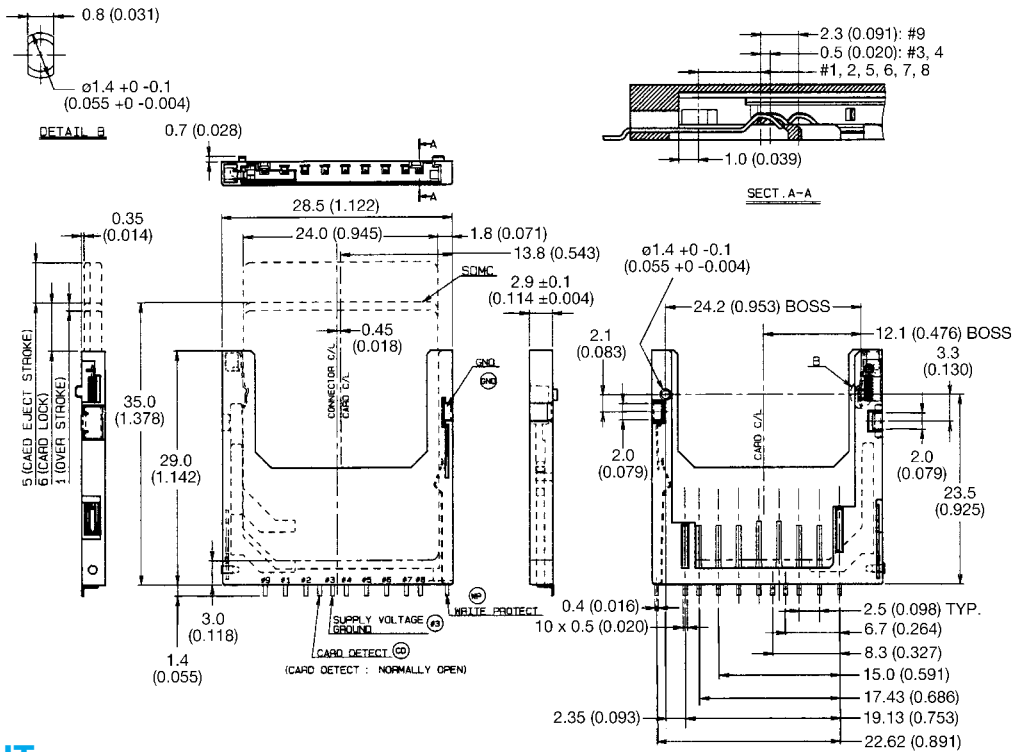


Secure Digital Memory Card Connectors

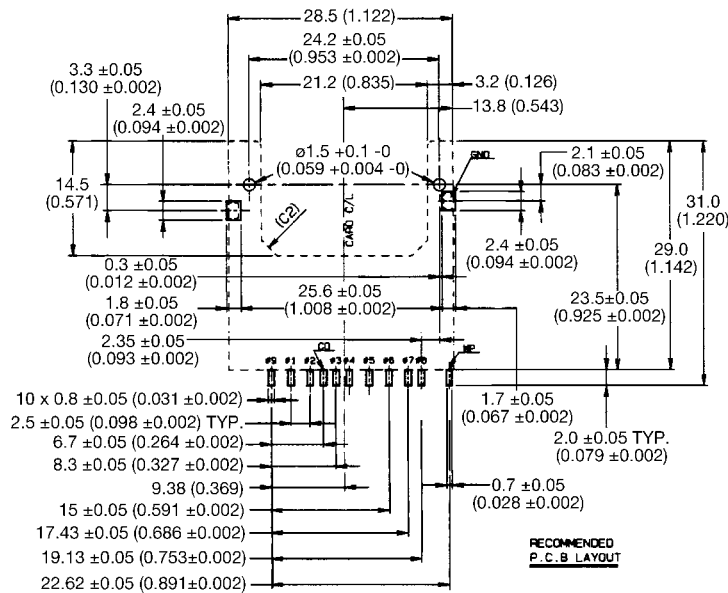


Series 5638 Spring Eject Type

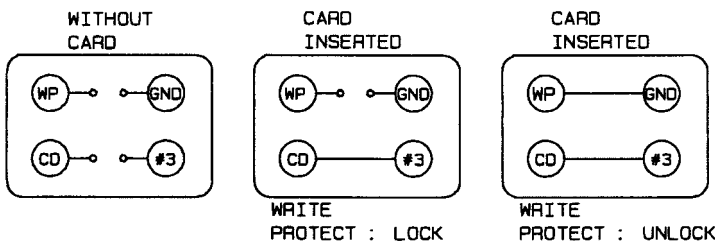
NORMAL



PCB LAYOUT



CIRCUIT



HOW TO ORDER

14 5638 009 511 862

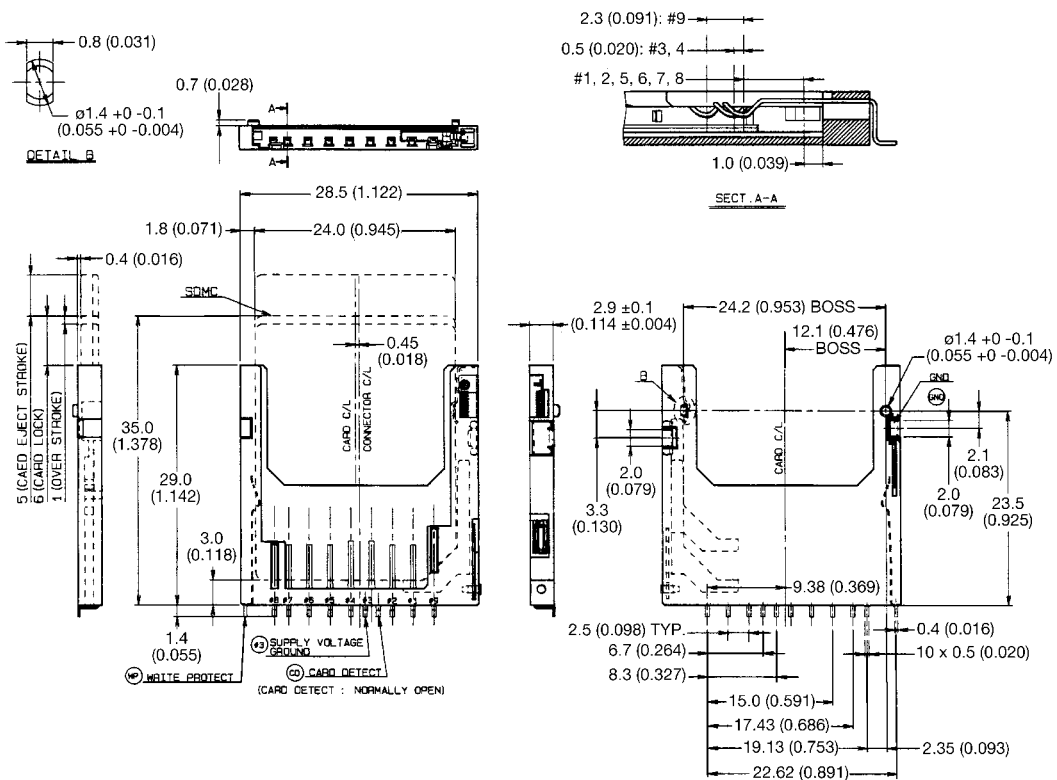
250 pieces per Tape and Reel

Secure Digital Memory Card Connectors

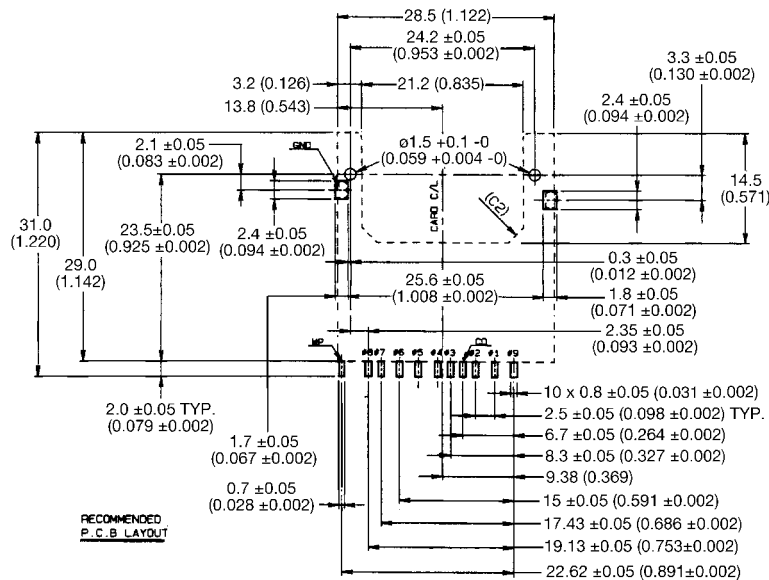


Series 5638 Spring Eject Type

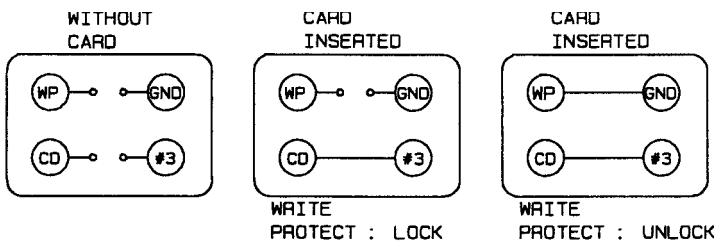
REVERSE



PCB LAYOUT



CIRCUIT



HOW TO ORDER

14 5638 109 511 862

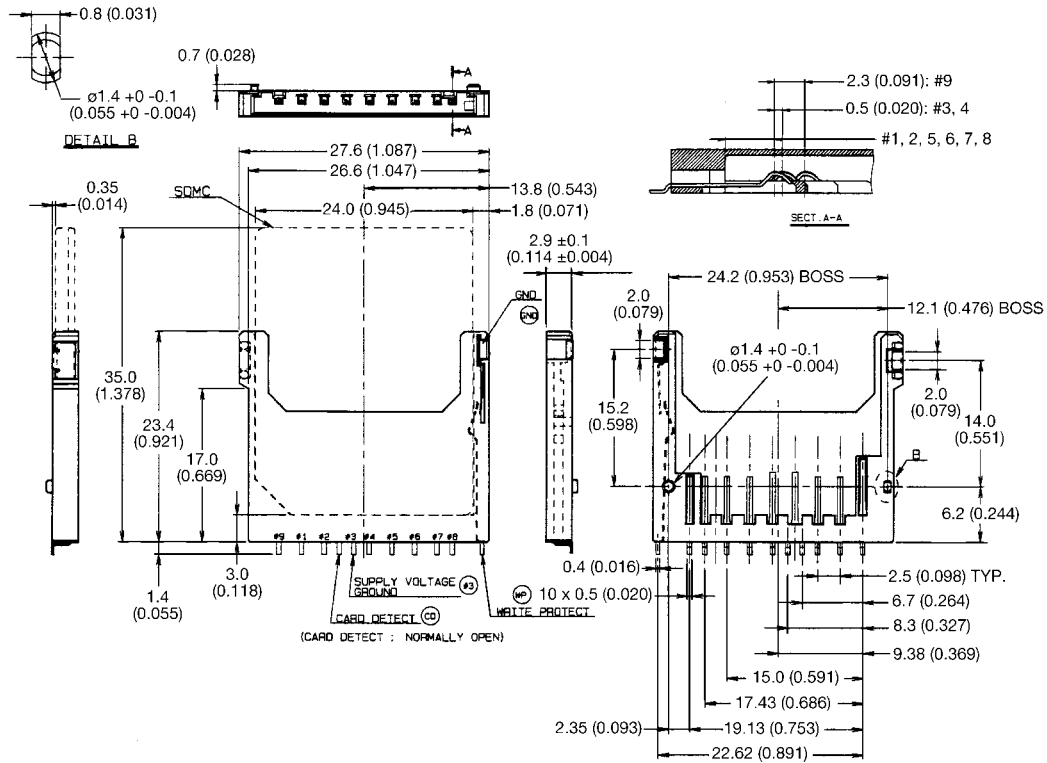
250 pieces per Tape and Reel

Secure Digital Memory Card Connectors

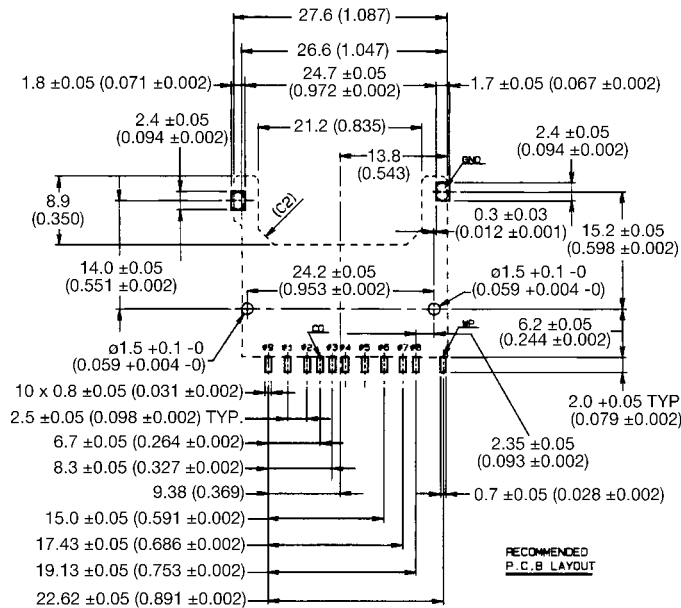


Series 5638 Without Eject Type

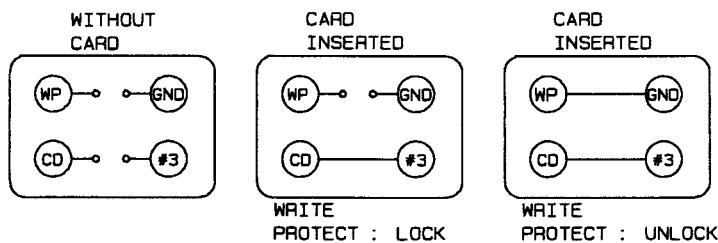
NORMAL



PCB LAYOUT



CIRCUIT



HOW TO ORDER

14 5638 009 211 862

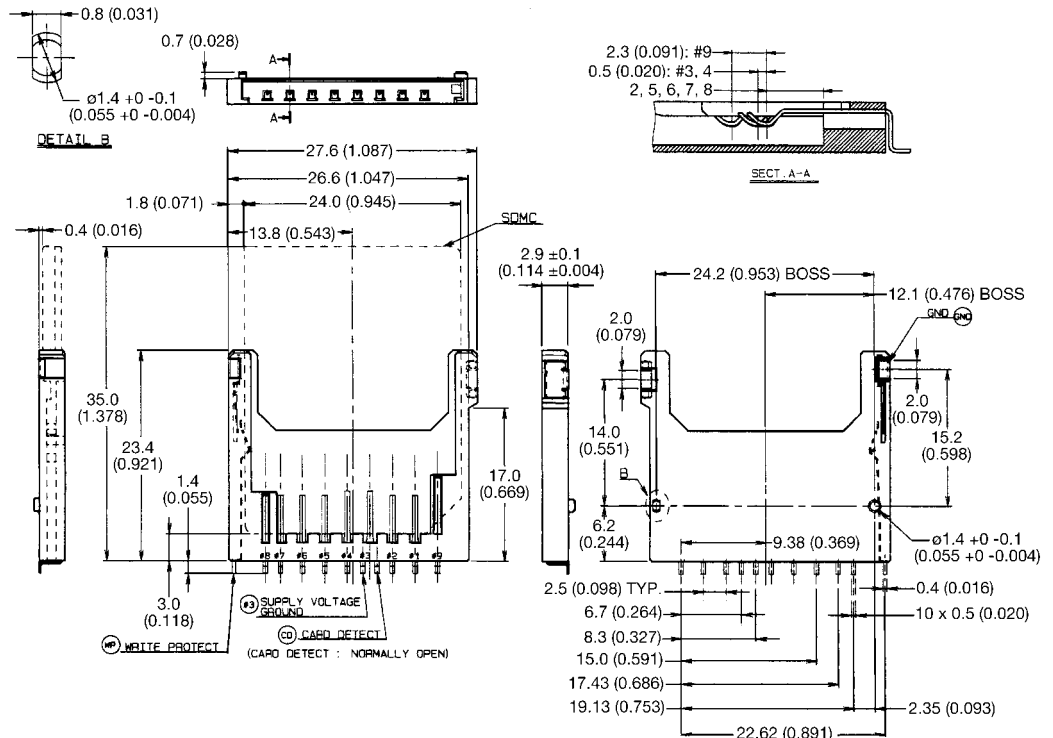
250 pieces per Tape and Reel

Secure Digital Memory Card Connectors

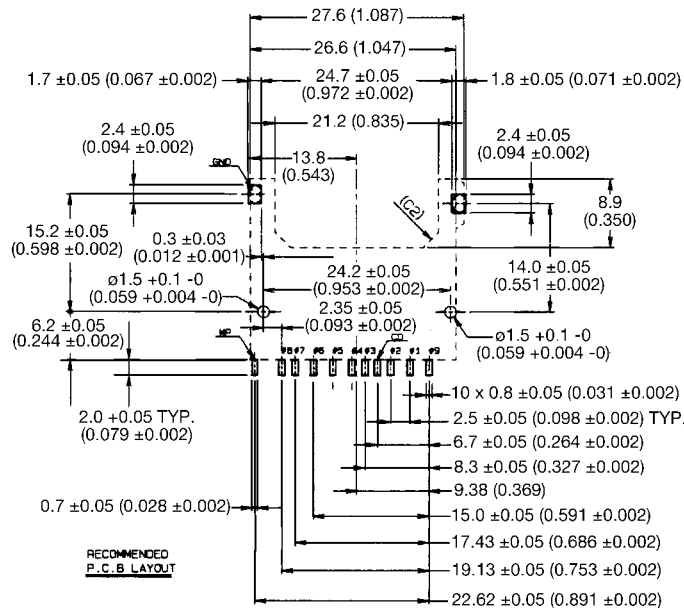


Series 5638 Without Eject Type

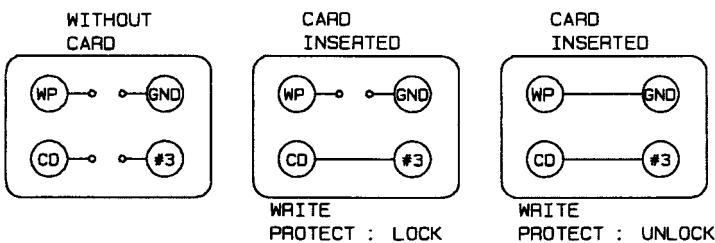
REVERSE



PCB LAYOUT



CIRCUIT



HOW TO ORDER

14 5638 109 211 862

250 pieces per Tape and Reel