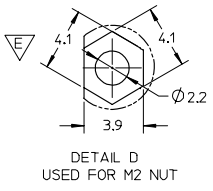
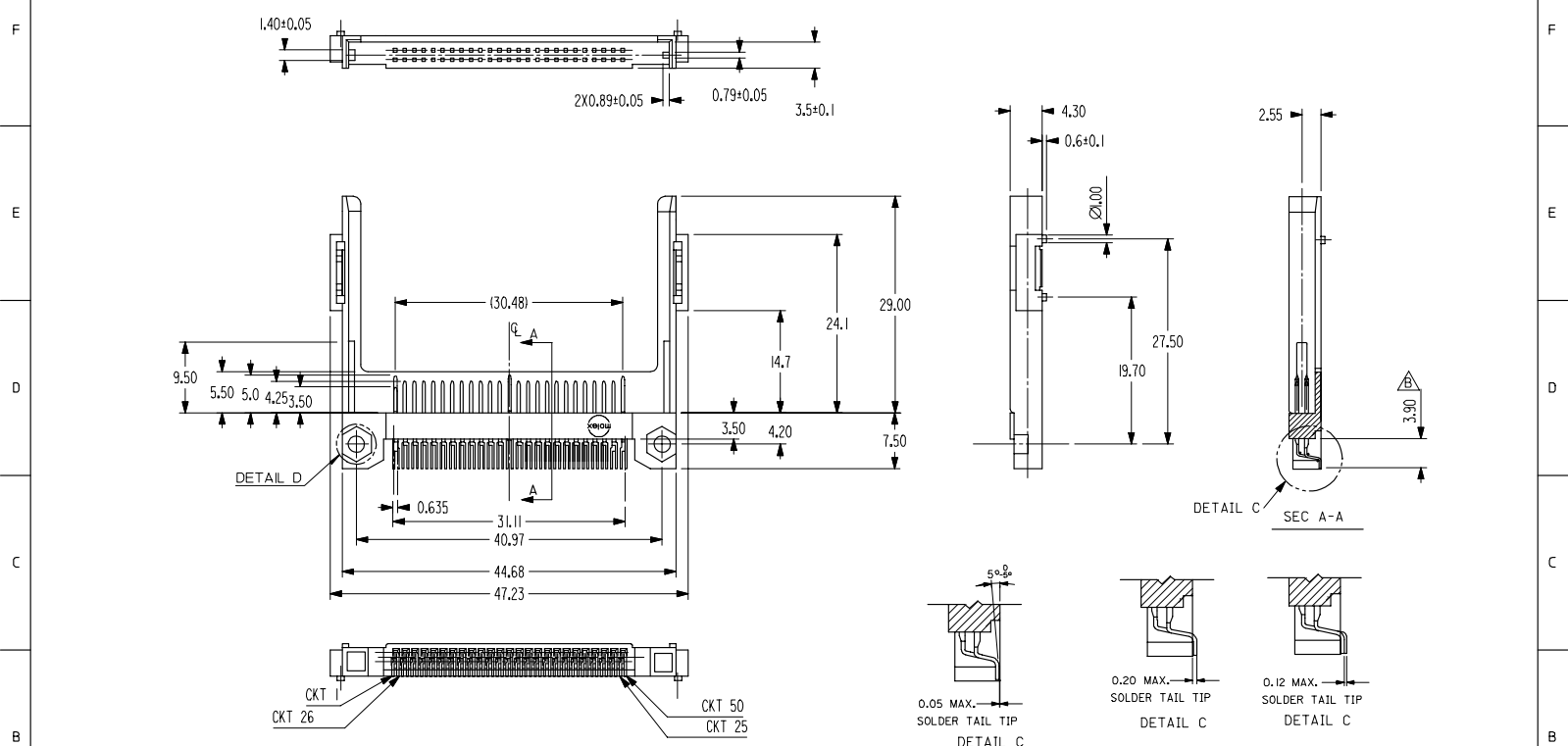
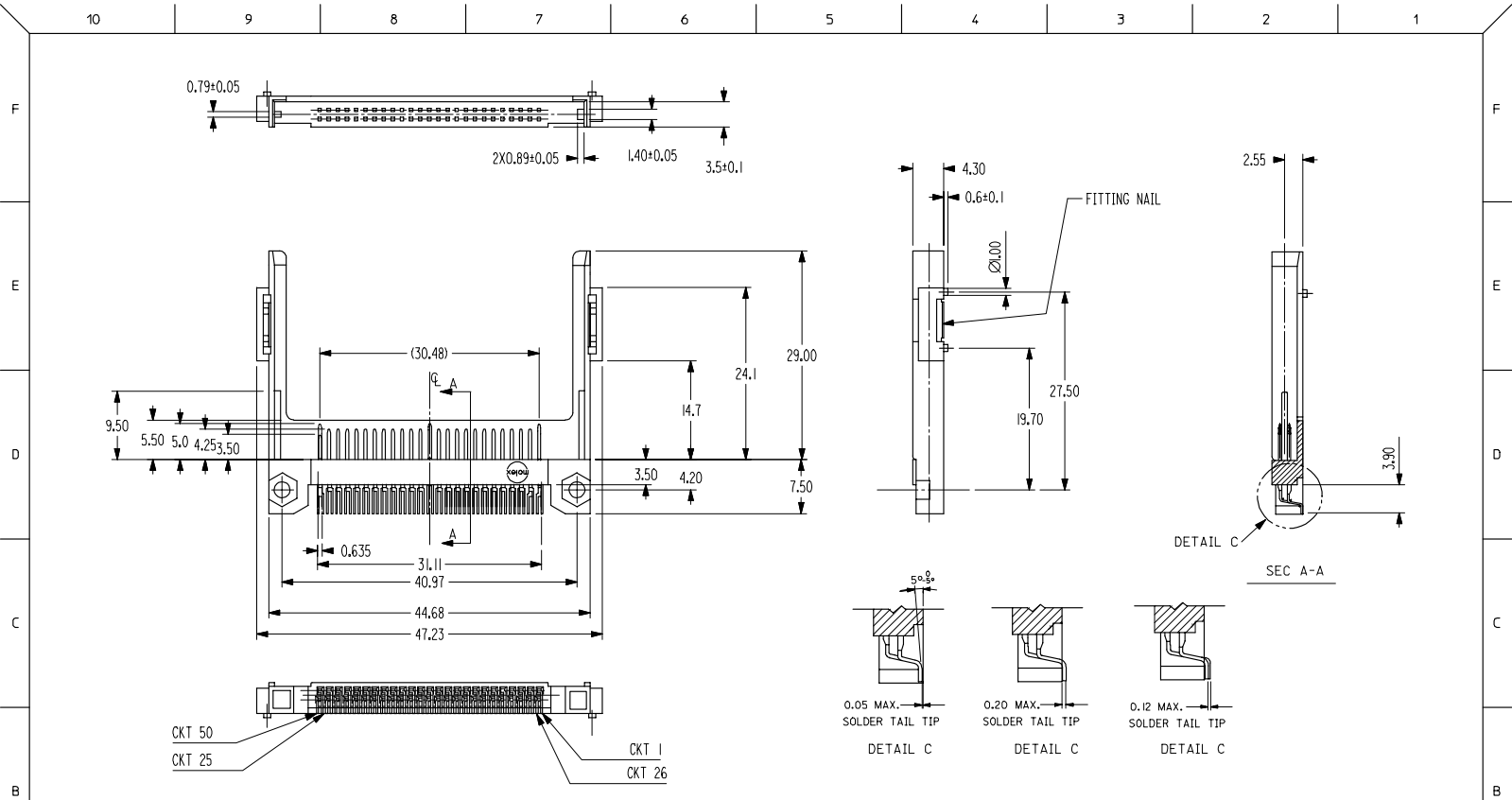


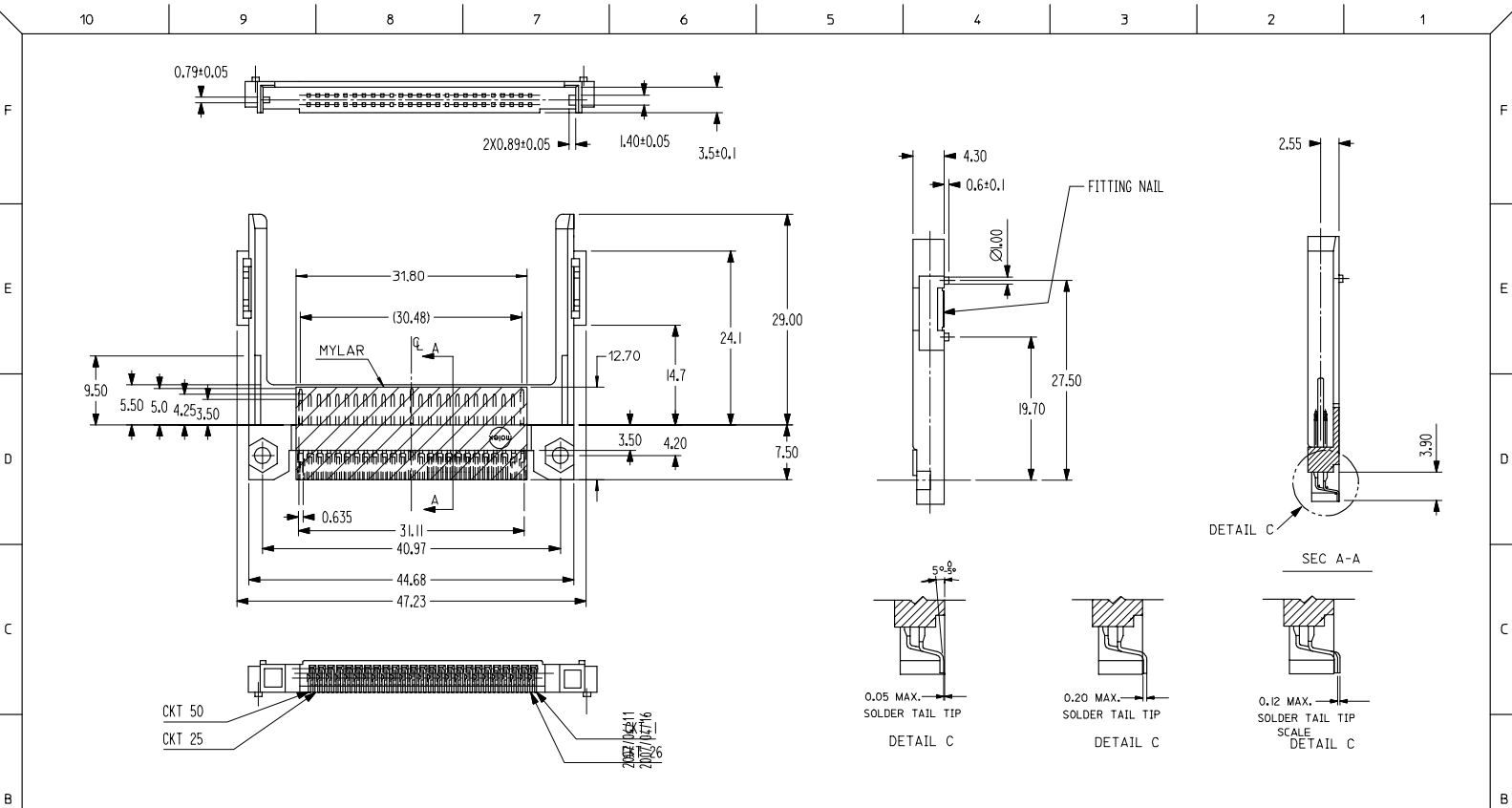
10 9 8 7 6 5 4 3 2 1



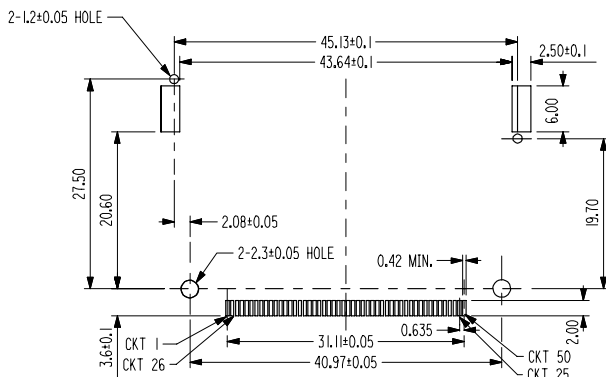
REVISED EC NO. SH2007-0727 DRAWN: CHEN26 CHECK: JIAN APPR: JICHEN 2007/04/10 2007/04/11 2007/04/16	QUALITY SYMBOLS ▽=0 ▽=0	GENERAL TOLERANCES (UNLESS SPECIFIED)	DIMENSION STYLE MM ONLY	SCALE 2:1	DESIGN UNITS METRIC	THIRD ANGLE PROJECTION																	
		<table border="1"> <thead> <tr> <th></th> <th>mm</th> <th>INCH</th> </tr> </thead> <tbody> <tr> <td>4 PLACES</td> <td>± ---</td> <td>± ---</td> </tr> <tr> <td>3 PLACES</td> <td>± ---</td> <td>± ---</td> </tr> <tr> <td>2 PLACES</td> <td>± 0.15</td> <td>± ---</td> </tr> <tr> <td>1 PLACE</td> <td>± 0.15</td> <td>± ---</td> </tr> <tr> <td colspan="3">ANGULAR ± 2 °</td> </tr> </tbody> </table>		mm	INCH	4 PLACES	± ---	± ---	3 PLACES	± ---	± ---	2 PLACES	± 0.15	± ---	1 PLACE	± 0.15	± ---	ANGULAR ± 2 °			DRAWN BY JACK LIN 1998/08/06	DATE 1998/08/06	CHECKED BY WALLY WA 1998/08/06
	mm	INCH																					
4 PLACES	± ---	± ---																					
3 PLACES	± ---	± ---																					
2 PLACES	± 0.15	± ---																					
1 PLACE	± 0.15	± ---																					
ANGULAR ± 2 °																							
DRAFT WHERE APPLICABLE MUST REMAIN WITHIN DIMENSIONS	MATERIAL NO. 671550001	DOCUMENT NO. SD-67155-001	MOLEX INCORPORATED		SHEET NO. 1 OF 4																		



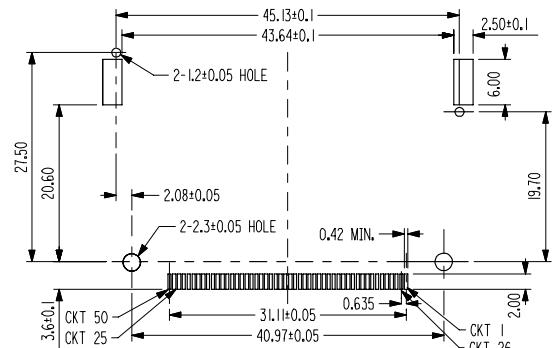
REVISED EC NO. SH2007-0727 DRAWN: CHEN26 CHECKED: JIAN APPR: JICHEN 2007/04/10 2007/04/11 2007/04/16	QUALITY SYMBOLS	GENERAL TOLERANCES (UNLESS SPECIFIED)	DIMENSION STYLE	SCALE	DESIGN UNITS	THIRD ANGLE PROJECTION																	
	$\nabla=0$ $\nabla=0$		MM ONLY	2:1	METRIC																		
		<table border="1"> <tr> <th></th> <th>mm</th> <th>INCH</th> </tr> <tr> <td>4 PLACES</td> <td>± ---</td> <td>± ---</td> </tr> <tr> <td>3 PLACES</td> <td>± ---</td> <td>± ---</td> </tr> <tr> <td>2 PLACES</td> <td>± 0.15</td> <td>± ---</td> </tr> <tr> <td>1 PLACE</td> <td>± 0.15</td> <td>± ---</td> </tr> <tr> <td colspan="3">ANGULAR ± 2 °</td> </tr> </table>		mm	INCH	4 PLACES	± ---	± ---	3 PLACES	± ---	± ---	2 PLACES	± 0.15	± ---	1 PLACE	± 0.15	± ---	ANGULAR ± 2 °			DRAWN BY JACK LIN 1998/08/06	TITLE	50 CIRCUITS CF LOW PROFILE HEADER
		mm	INCH																				
4 PLACES	± ---	± ---																					
3 PLACES	± ---	± ---																					
2 PLACES	± 0.15	± ---																					
1 PLACE	± 0.15	± ---																					
ANGULAR ± 2 °																							
	DRAFT WHERE APPLICABLE MUST REMAIN WITHIN DIMENSIONS	CHECKED BY WALLY WA 1998/08/06	APPROVED BY MEGA LIN 1998/08/06	MATERIAL NO. 671550002	DOCUMENT NO. SD-67155-001																		
			SIZE A3	THIS DRAWING CONTAINS INFORMATION THAT IS PROPRIETARY TO MOLEX INCORPORATED AND SHOULD NOT BE USED WITHOUT WRITTEN PERMISSION		SHEET NO. 2 OF 4																	



REVISED EC NO. SH2007-0727 2007/04/10 DRW: W. CHEN CHK: J. LIAN APPR: J. CHEN	QUALITY SYMBOLS ▽=0 ▽=0	GENERAL TOLERANCES (UNLESS SPECIFIED) mm INCH 4 PLACES ± --- ± --- 3 PLACES ± --- ± --- 2 PLACES ± 0.15 ± --- 1 PLACE ± 0.15 ± --- ANGULAR ± 2 °	DIMENSION STYLE MM ONLY DRAWN BY DATE JACK L IN 1998/08/06 CHECKED BY DATE WALLY WA 1998/08/06 APPROVED BY DATE MEGA L IN 1998/08/06	2:1 DESIGN UNITS METRIC THIRD ANGLE PROJECTION	TITLE 50 CIRCUITS CF LOW PROFILE HEADER	
	MATERIAL NO. 671550003	DOCUMENT NO. SD-67155-001	MOLEX MOLEX INCORPORATED	SHEET NO. 3 OF 4		
	DRAFT WHERE APPLICABLE MUST REMAIN WITHIN DIMENSIONS		THIS DRAWING CONTAINS INFORMATION THAT IS PROPRIETARY TO MOLEX INCORPORATED AND SHOULD NOT BE USED WITHOUT WRITTEN PERMISSION			
			SIZE A3			



RECOMMENDED PCB LAYOUT
REVERSE TYPE



RECOMMENDED PCB LAYOUT
STANDARD TYPE

NOTES:

1. MATERIAL : HOUSING: HIGH TEMP PLASTIC, UL94 V-0, COLOR: IVORY
TERMINAL: COPPER ALLOY
2. PLATING: CONTACT AREA: AU OVER PD-NI
SOLDERING TAIL: TIN
NICKEL OVERALL
FITTING NAIL: TIN
NICKEL OVERALL
3. RECOMMENDED PCB THICKNESS: 0.8MM
4. THE COPLANARITY OF SOLDER TAILS SHOULD BE WITHIN 0.12 MM
5. FOR PRODUCT SPECIFICATION: REFER TO PS-67155-003

PART NUMBER	DISCRIPTION	PACKAGING
67155-0001	REVERSE TYPE	TYAY PK-67155-001
67155-0002	STANDARD TYPE	
67155-0003	STANDARD TYPE WITH MYLAR	TAPE & REEL PK-67155-002
67155-0004	STANDARD TYPE WITH MYLAR	

REVISED EC NO: SH2007-0727 DRAWN: HCHEN26 CHKD: JLIAN APPR: JICHEN	2007/04/10 2007/04/11 2007/04/16	QUALITY SYMBOLS ▽=0 ▽=0	GENERAL TOLERANCES (UNLESS SPECIFIED)		DIMENSION STYLE MM ONLY		SCALE 2:1	DESIGN UNITS METRIC	THIRD ANGLE PROJECTION		
					DRAWN BY JACK LIN		DATE 1998/08/06		50 CIRCUITS CF LOW PROFILE HEADER MOLEX INCORPORATED		
					CHECKED BY WALLY WA		DATE 1998/08/06				
					APPROVED BY MEGA LIN		DATE 1998/08/06				
		MATERIAL NO.		DOCUMENT NO.							
DRAFT WHERE APPLICABLE MUST REMAIN WITHIN DIMENSIONS			SEE TABLE		SD-67155-001		SHEET NO. 4 OF 4				
THIS DRAWING CONTAINS INFORMATION THAT IS PROPRIETARY TO MOLEX INCORPORATED AND SHOULD NOT BE USED WITHOUT WRITTEN PERMISSION											