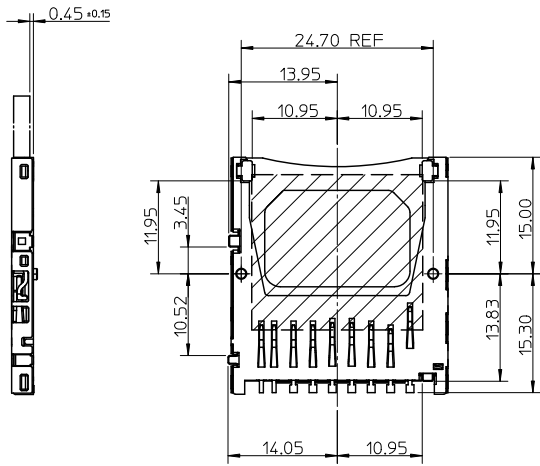
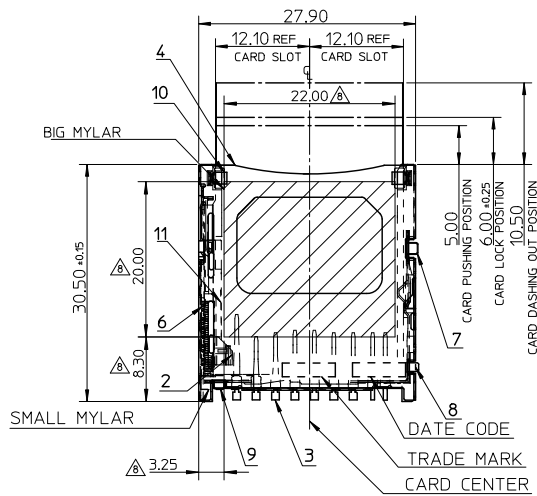
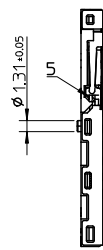
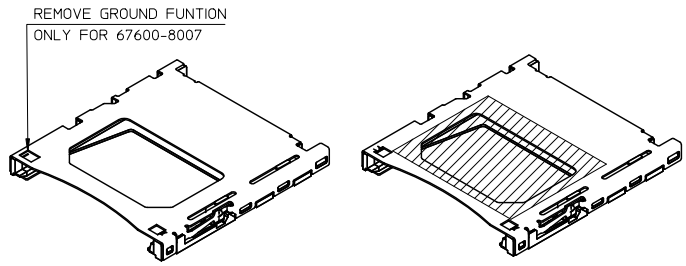
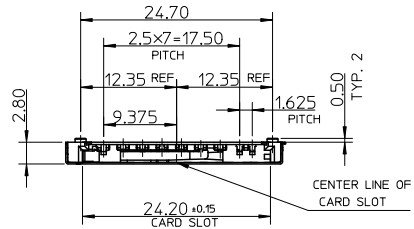


10 9 8 7 6 5 4 3 2 1



MATERIAL NO.	DESCRIPTION
67600-8001	STANDARD
67600-8003	WITH SMALL MYLAR
67600-8005	W/O CARD LOCK PIN
67600-8006	WITH BIG MYLAR
67600-8007	REMOVE ONE SIDE'S GROUND FUNCTION

REVISED  
 IEC NO: SH2011-0042  
 TIRUNIKOMI 2010/08/05  
 CHKO/HARVEY 2004/12/20  
 APPR/RZHANG 2010/09/18

QUALITY SYMBOLS	GENERAL TOLERANCES (UNLESS SPECIFIED)
▽=0	mm INCH
▽=0	4 PLACES ± --- ± ---
	3 PLACES ± --- ± ---
	2 PLACES ± 0.25 ± ---
	1 PLACE ± 0.25 ± ---
	ANGULAR ± 3°

DIMENSION STYLE		SCALE	DESIGN UNITS	THIRD ANGLE PROJECTION
MM ONLY		1:1	METRIC	☉
DRAWN BY	DATE	TITLE		
DAVID HU	2004/12/20	SD MEMORY CARD CONN. ASSY (TOP MOUNT TYPE) LEAD-FREE		
CHECKED BY	DATE	MOLEX INCORPORATED		
HARVEY	2004/12/20	MATERIAL NO. SEE TABLE		
APPROVED BY	DATE	DOCUMENT NO. SD-67600-006		
VINCENT	2004/12/20	SHEET NO. 1 OF 2		

GENERAL TOLERANCES (UNLESS SPECIFIED)	
4 PLACES ± --- ± ---	mm INCH
3 PLACES ± --- ± ---	
2 PLACES ± 0.25 ± ---	
1 PLACE ± 0.25 ± ---	
ANGULAR ± 3°	

tb\_frame\_A3\_P\_AM\_T  
 Rev. D 2004/06/28

9 8 7 6 5 4 3 2 1

10 9 8 7 6 5 4 3 2 1

NOTES:

1.MATERIAL:

PLASTIC PART: HIGH TEMPERATURE THERMOPLASTIC.

METAL PART: COPPER ALLOY OR STAINLESS STEEL.

2.TERMINAL AND NAIL COPLANARITY TO BE 0.1 MAX.

3.WHEN DELIVERING, THE PUSH/PUSH MECHANISM IS IN THE STATE OF THE UNLOCK.(CARD DASHING OUT POSITION).

4.CARD READ ONLY BY THE TIME THE CARD DETECTION SWITCH WORKS.

5.OPENING AND CLOSE OF EACH SWITCH.

CARD INSERTION STATUS	WRITE PROTECT SWITCH		CARD DETECT SWITCH
	WRITE PROTECT POSITION	WRITE ENABLE POSITION	
CARD UNINSERTION	OPEN	OPEN	OPEN
CARD HALF INSERTION	CLOSE	CLOSE	OPEN
CARD INSERTION	OPEN	CLOSE	CLOSE

6.TERMINAL PLATING:

CONTACT AREA: GOLD, THICKNESS=0.2 MICRON MIN.

SOLDER TAIL AREA(A): TIN, THICKNESS=1.27 MICRON MIN.

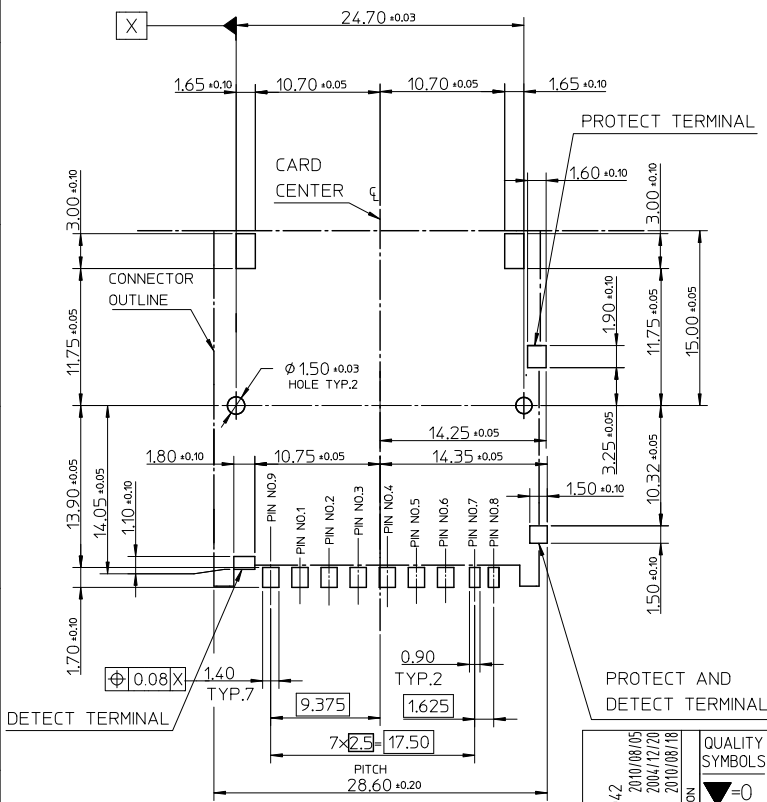
(B): GOLD FLASH, THICKNESS=0.05 MICRON MIN.

UNDER PLATE: NICKEL, THICKNESS=1 MICRON MIN.

7. PRODUCT SPECIFICATION : PER PS-67600-001.

8. TAPE AND REEL REFERS TO SD-67600-003 SHEET3.

9. RELATIVE DIMENSIONS FOR MALAR.



RECOMMENDED PCB PATTERN LAYOUT

REVISED EC NO: SH2011-0042 DRAWN BY: DRW:KMEI CHKD BY: HARVEY APPR: RZHANG 2010/08/05 2004/12/20 2010/08/18	QUALITY SYMBOLS ▽=0 ▽=0	GENERAL TOLERANCES (UNLESS SPECIFIED)		DIMENSION STYLE MM ONLY		SCALE 1:1	DESIGN UNITS METRIC	THIRD ANGLE PROJECTION	
		mm	INCH	DRAWN BY DAVID HU	DATE 2004/12/20	TITLE SD MEMORY CARD CONN. ASS'Y (TOP MOUNT TYPE) LEAD-FREE			
REV DESCRIPTION	DRAFT WHERE APPLICABLE MUST REMAIN WITHIN DIMENSIONS	4 PLACES ±	---	---	CHECKED BY HARVEY	DATE 2004/12/20	APPROVED BY VINCENT		
		3 PLACES ±	---	---	DATE 2004/12/20	DATE 2004/12/20			
		2 PLACES ±	0.25	---	MATERIAL NO. SEE TABLE				
		1 PLACE ±	0.25	---	DOCUMENT NO. SD-67600-006				
		ANGULAR ± 3°		SHEET NO. 2 OF 2					
		SIZE A3							
		THIS DRAWING CONTAINS INFORMATION THAT IS PROPRIETARY TO MOLEX INCORPORATED AND SHOULD NOT BE USED WITHOUT WRITTEN PERMISSION							

9 8 7 6 5 4 3 2 1