

10 9 8 7 6 5 4 3 2 1

F

E

D

C

B

A

F

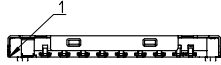
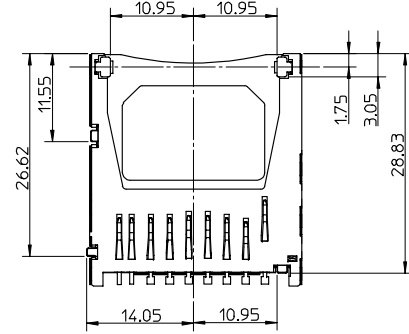
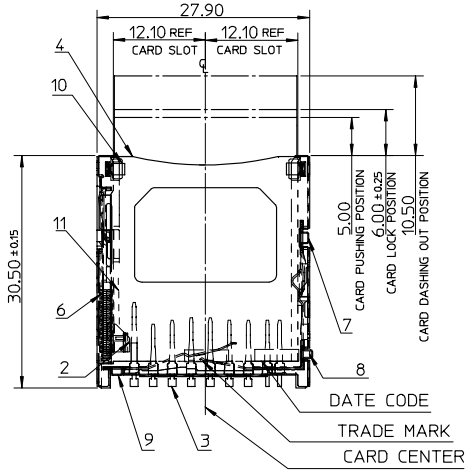
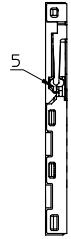
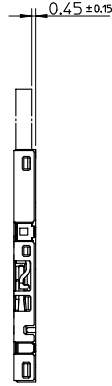
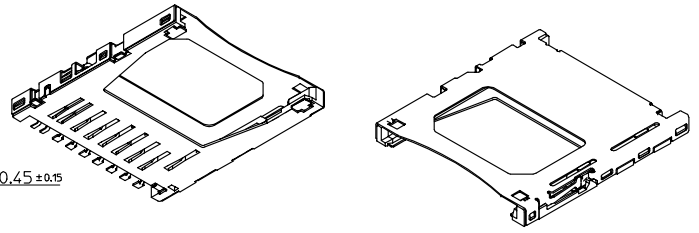
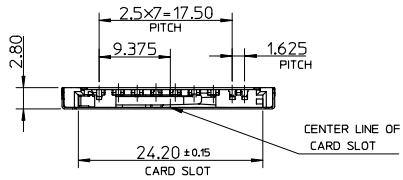
E

D

C

B

A



UPDATE DRAWING	2006/10/11
EC NO. SH2007-0231	2006/10/11
DRW: WZHEN	2006/10/18
CHK: JILIAN	2006/10/18
APPR: JINCHEN	2006/10/19

QUALITY SYMBOLS	DESCRIPTION
▽=0	
▽=0	

GENERAL TOLERANCES (UNLESS SPECIFIED)	
mm	INCH
4 PLACES ± ---	± ---
3 PLACES ± ---	± ---
2 PLACES ± 0.25	± ---
1 PLACE ± 0.25	± ---
ANGULAR ± 3 °	
DRAFT WHERE APPLICABLE MUST REMAIN WITHIN DIMENSIONS	

DIMENSION STYLE	
MM ONLY	
DRAWN BY	DATE
DAVID HU	2004/12/20
CHECKED BY	DATE
HARVEY	2004/12/20
APPROVED BY	DATE
VINCENT	2004/12/20
MATERIAL NO.	
676008002	

SCALE	DESIGN UNITS	THIRD ANGLE PROJECTION
1:1	METRIC	
TITLE		
SD MEMORY CARD CONN. ASSY (TOP MOUNT TYPE) LEAD-FREE		
MOLEX INCORPORATED		
MATERIAL NO.	DOCUMENT NO.	SHEET NO.
676008002	SD-67600-003	1 OF 3
THIS DRAWING CONTAINS INFORMATION THAT IS PROPRIETARY TO MOLEX INCORPORATED AND SHOULD NOT BE USED WITHOUT WRITTEN PERMISSION		

9 8 7 6 5 4 3 2 1

10 9 8 7 6 5 4 3 2 1

NOTES:

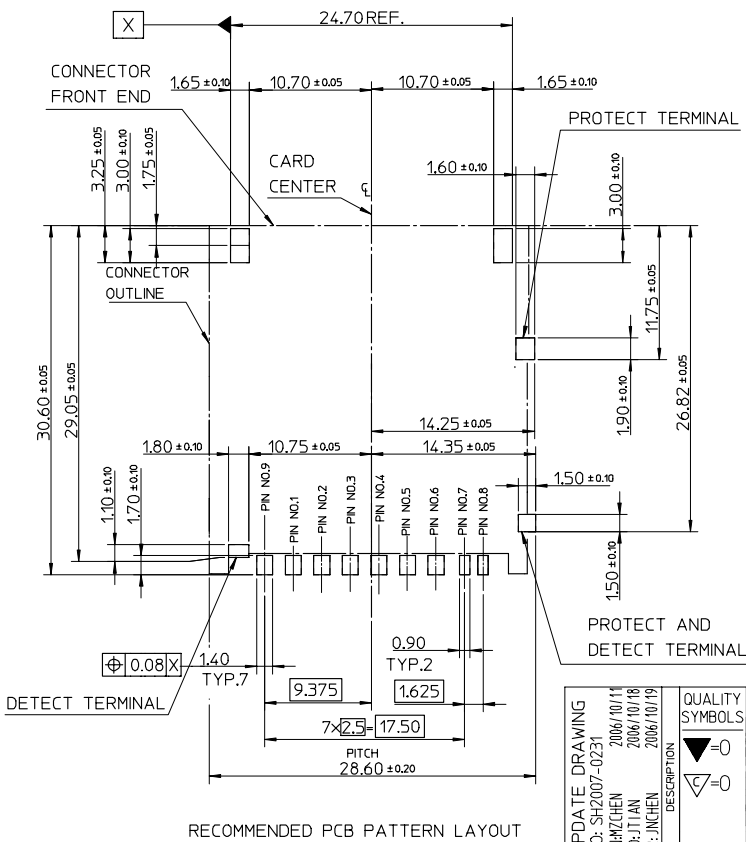
1. TERMINAL AND NAIL COPLANARITY TO BE 0.1 MAX.
2. WHEN DELIVERING, THE PUSH/PUSH MECHANISM IS IN THE STATE OF THE UNLOCK. (CARD DASHING OUT POSITION)
3. CARD READ ONLY BY THE TIME THE CARD DETECTION SWITCH WORKS.
4. OPENING AND CLOSE OF EACH SWITCH.

CARD INSERTION STATE	WRITE PROTECT SWITCH		CARD DETECT SWITCH
	WRITE PROTECT POSITION	WRITE ENABLE POSITION	
CARD UNINSERTION	OPEN	OPEN	OPEN
CARD HALF INSERTION	CLOSE	CLOSE	OPEN
CARD INSERTION	OPEN	CLOSE	CLOSE

5. TERMINAL PLATING

- CONTACT AREA:
 GOLD, THICKNESS=0.2 MICRON MIN.
 SOLDER TAIL AREA(A): TIN, THICKNESS=1.27 MICRON MIN.
 (B): GOLD FLASH, THICKNESS=0.05 MICRON MIN.
 UNDER PLATE: NICKEL, THICKNESS=1 MICRON MIN.

6. PRODUCT SPECIFICATION : PER PS-67600-002



UPDATE DRAWING EC NO. SH2007-0231 DRAWN BY: DRW:WZHEN 2006/10/11 CHECKED BY: CHK:JITIAN 2006/10/18 APPR: JINCHEN 2006/10/19	QUALITY SYMBOLS ▽=0 ▽=0	GENERAL TOLERANCES (UNLESS SPECIFIED)		DIMENSION STYLE MM ONLY		SCALE 1:1	DESIGN UNITS METRIC	THIRD ANGLE PROJECTION	
		mm	INCH	DRAWN BY DAVID HU	DATE 2004/12/20	TITLE SD MEMORY CARD CONN. ASS'Y (TOP MOUNT TYPE) LEAD-FREE			
		4 PLACES ± ---	± ---	CHECKED BY HARVEY	DATE 2004/12/20				
		3 PLACES ± ---	± ---	APPROVED BY VINCENT	DATE 2004/12/20	MOLEX INCORPORATED			
2 PLACES ± 0.25	± ---	MATERIAL NO. 676008002	DOCUMENT NO. SD-67600-003	SHEET NO. 2 OF 3					
1 PLACE ± 0.25	± ---	DRAFT WHERE APPLICABLE MUST REMAIN WITHIN DIMENSIONS		SIZE A3		THIS DRAWING CONTAINS INFORMATION THAT IS PROPRIETARY TO MOLEX INCORPORATED AND SHOULD NOT BE USED WITHOUT WRITTEN PERMISSION			
ANGULAR ± 3 °									

9 8 7 6 5 4 3 2 1

10 9 8 7 6 5 4 3 2 1

F

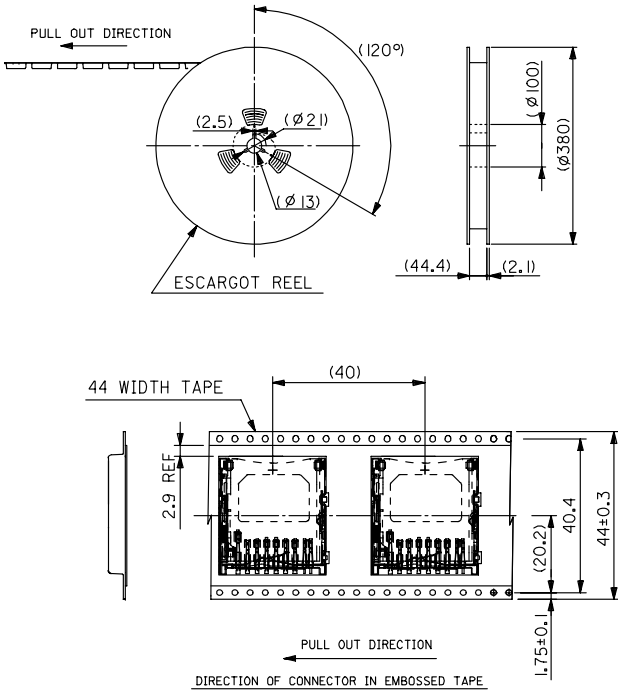
E

D

C

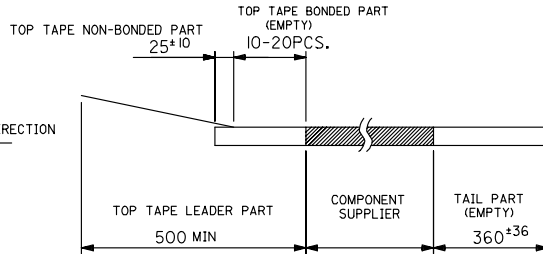
B

A

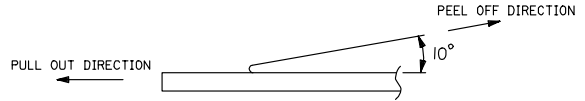


NOTES

1. NUMBER OF CONNECTORS: 400 PCS/REEL
- 2.



3. PEEL-OFF FORCE OF TOP TAPE: 0.1~1.3 N (10.2~130gf)
(PEELING DIRECTION AS SHOWN IN FOLLOWING FIG.)
<PEEL-OFF SPEED: 300mm/min (REF.)>



UPDATE DRAWING EC NO.: SH2007-0231 DRAWN BY: DRW:WZHEN CHECKED BY: CHK:JITIAN APPR: JINCHEN 2006/10/19	QUALITY SYMBOLS ▽=0 ▽=0	GENERAL TOLERANCES (UNLESS SPECIFIED) mm INCH 4 PLACES ± --- ± --- 3 PLACES ± --- ± --- 2 PLACES ± 0.25 ± --- 1 PLACE ± 0.25 ± --- ANGULAR ± 3 °	DIMENSION STYLE MM ONLY DRAWN BY: DAVID HU DATE: 2004/12/20 CHECKED BY: DATE: APPROVED BY: DATE: 2004/12/20 VINCENT	SCALE: 1:1 DESIGN UNITS: METRIC THIRD ANGLE PROJECTION	TITLE SD MEMORY CARD CONN. ASS'Y (TOP MOUNT TYPE) LEAD-FREE
	DRAFT WHERE APPLICABLE MUST REMAIN WITHIN DIMENSIONS	MATERIAL NO.: 676008002 SIZE: A3	MOLEX INCORPORATED DOCUMENT NO.: SD-67600-003	SHEET NO.: 3 OF 3	
	THIS DRAWING CONTAINS INFORMATION THAT IS PROPRIETARY TO MOLEX INCORPORATED AND SHOULD NOT BE USED WITHOUT WRITTEN PERMISSION				
	MOLEX INCORPORATED				

9 8 7 6 5 4 3 2 1

F

E

D

C

B

A