

4

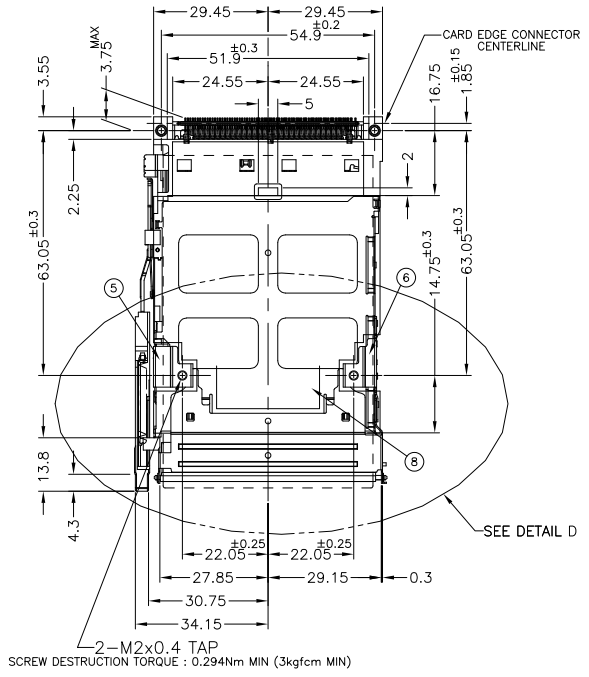
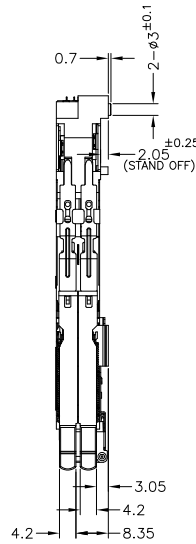
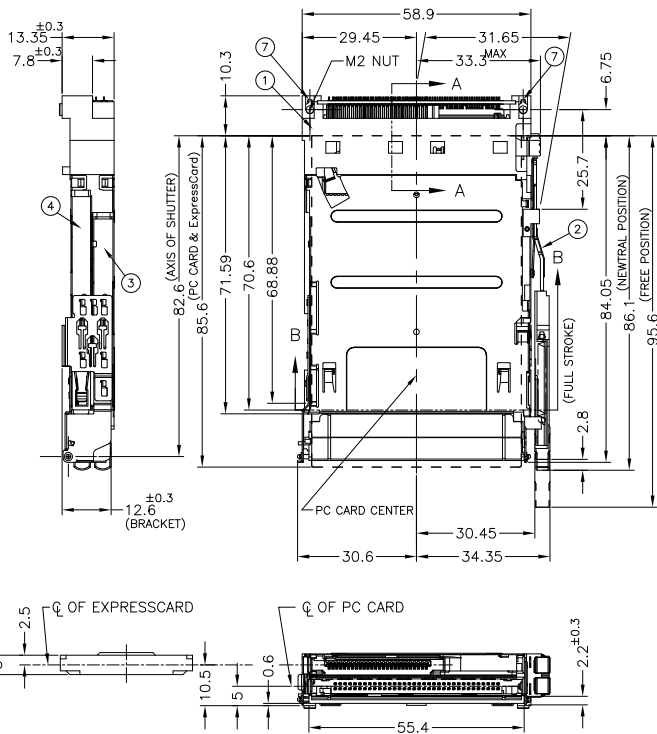
3

2

1

THIS DRAWING IS UNPUBLISHED. RELEASED FOR PUBLICATION
 © COPYRIGHT BY TYGO ELECTRONICS CORPORATION. ALL RIGHTS RESERVED.

LOC		DIST		REVISIONS			
P	LTR	DESCRIPTION		DATE	DWN	APVD	
	A	RELEASED		30APROB	S.H	H.K	



1759323-1 : AS SHOWN

1	INSULATION SHEET	⑧
2	NUT (M2x0.4)	⑦
1	BRACKET (L)	⑥
1	BRACKET (R)	⑤
1	LOWER SHELL	④
1	UPPER SHELL	③
1	PUSH-PUSH SUB ASSY	②
1	HEADER ASSY (TOP TYPE, RIGHT BUTTON)	①
QTY	NAME	ITEM

THIS DRAWING IS A CONTROLLED DOCUMENT.		DWN	30APR2008	Tyco Electronics Corporation	
		CHK	S.HUANG	Taipei, Taiwan	
		APVD	W.CHEN	Tyco Electronics	
		APVD	H.KODAMA	NAME	
DIMENSIONS: mm		PRODUCT SPEC		CARDBUS-EXPRESS CARD CONNECTOR	
TOLERANCES UNLESS OTHERWISE SPECIFIED:		APPLICATION SPEC		TOP MOUNT TYPE	
0 PLC ± 0.5				PUSH-PUSH RIGHT BUTTON	
1 PLC ± 0.5		WEIGHT		SIZE	
2 PLC ± 0.5		41.4g		CAGE CODE	
3 PLC ± 0.5				DRAWING NO	
4 PLC ± 0.5				A300779	
ANGLES ± 3'				DRAWING NO	
				C-1759323	
MATERIAL		FINISH		RESTRICTED TO	
				CUSTOMER DRAWING	
		SCALE		SHEET	
		1:1		1 of 4	
				REV	
				A	

4

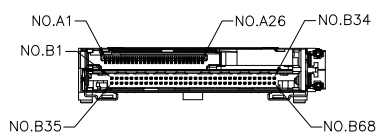
3

2

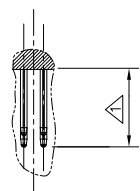
1

THIS DRAWING IS UNPUBLISHED. RELEASED FOR PUBLICATION
 © COPYRIGHT BY TYCO ELECTRONICS CORPORATION. ALL RIGHTS RESERVED.

LOC		DIST		REVISIONS			
P	LTR	DESCRIPTION	DATE	DWN	APVD		
		SEE SHEET 1					



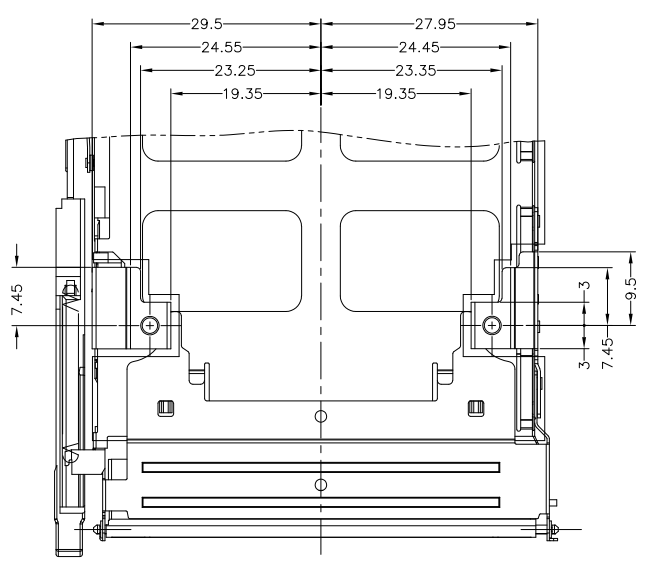
B-B



A-A SCALE 4:1 (PC CARD SLOT)

TABLE-1

POST LENGTH	5	3.5	4.25
CIRCUIT NO.	1,17,34,35,51,68	36,67	OTHERS



DETAIL D SCALE 2:1

THIS DRAWING IS A CONTROLLED DOCUMENT.		DWN	Tyco Electronics Corporation Taipei, Taiwan	
DIMENSIONS: mm	TOLERANCES UNLESS OTHERWISE SPECIFIED: 0 PLC ± 0.5 1 PLC ± 0.5 2 PLC ± 0.5 3 PLC ± 0.5 4 PLC ± 0.5 ANGLES ± 3°	CHK	NAME	CARDBUS-EXPRESS CARD CONNECTOR TOP MOUNT TYPE PUSH-PUSH RIGHT BUTTON
MATERIAL	FINISH	APVD	SIZE	CAGE CODE
		PRODUCT SPEC	A3	00779
		APPLICATION SPEC	DRAWING NO	C=1759323
		WEIGHT	RESTRICTED TO	
CUSTOMER DRAWING		SCALE 1:1		SHEET 2 of 4
				REV A

AMP 1470-19 REV 31MAR2000

4

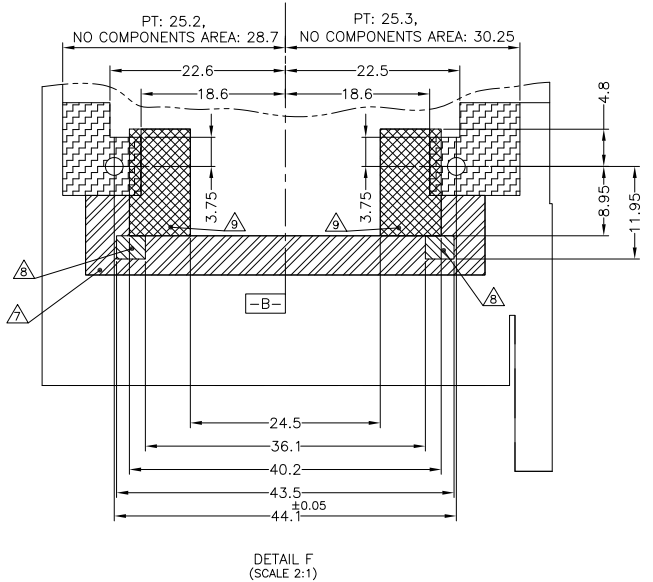
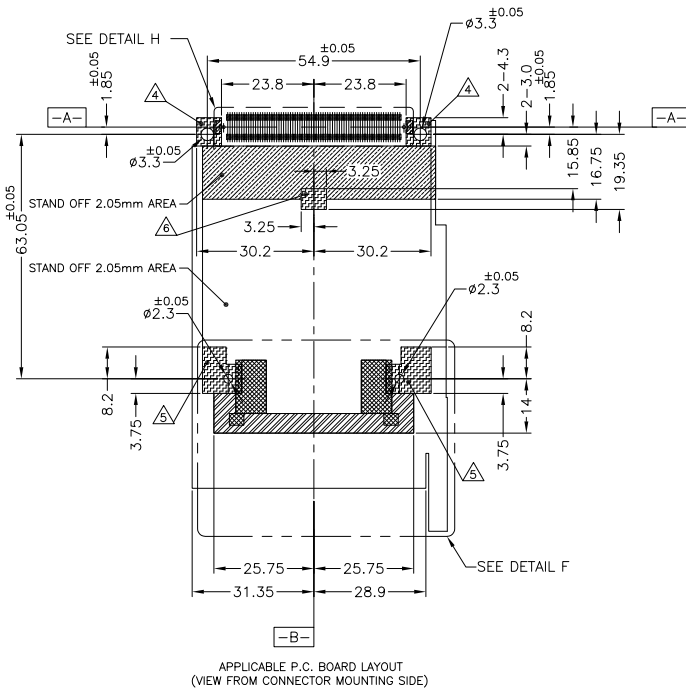
3

2

1

THIS DRAWING IS UNPUBLISHED. RELEASED FOR PUBLICATION
 © COPYRIGHT BY TYCO ELECTRONICS CORPORATION. ALL RIGHTS RESERVED.

LOC		DIST		REVISIONS			
P	LTR	DESCRIPTION	DATE	DWN	APVD		
SEE SHEET 1							



- △ REFER TO TABLE 1 FOR POST CONTACT LENGTH.
- 2 RECOMMENDED TIGHTENING TORQUE : FROM 0.15N.m (1.5kg.cm) TO 0.2N.m (2kg.cm)
- 3 APPLIED CARD: PCMCIA ATTRIBUTE PC CARD.
- △ NO ELECTRONICS COMPONENTS. (NO SIGNAL LINE AREA)
- △ GROUNDING PAD.
- △ NO COMPONENT AREA.
- △ STAND OFF 1.95mm AREA. [Hatched Pattern]
- △ STAND OFF 1.75mm AREA. [Cross-hatched Pattern]
- △ STAND OFF 1.65mm AREA. [Diagonal Hatched Pattern]
- △ PRODUCT SPEC: PCMCIA CARD CONNECTOR: 108-78192 EXPRESS CARD CONNECTOR: 108-5923

THIS DRAWING IS A CONTROLLED DOCUMENT.

DIMENSIONS:	TOLERANCES UNLESS OTHERWISE SPECIFIED:
mm	0 PLC ± 0.5
	1 PLC ± 0.5
	2 PLC ± 0.5
	3 PLC ± 0.5
	4 PLC ± 0.5
	ANGLES ± 3°

DWN	CHK	APVD	NAME
MATERIAL	FINISH	WEIGHT	RESTRICTED TO

Tyco Electronics Tyco Electronics Corporation
 Taipei, Taiwan

CARDBUS-EXPRESS CARD CONNECTOR
 TOP MOUNT TYPE
 PUSH-PUSH RIGHT BUTTON

SIZE: A3 CAGE CODE: 00779 DRAWING NO: C=1759323

CUSTOMER DRAWING SCALE: 1:1 SHEET: 3 of 4 REV: A

4

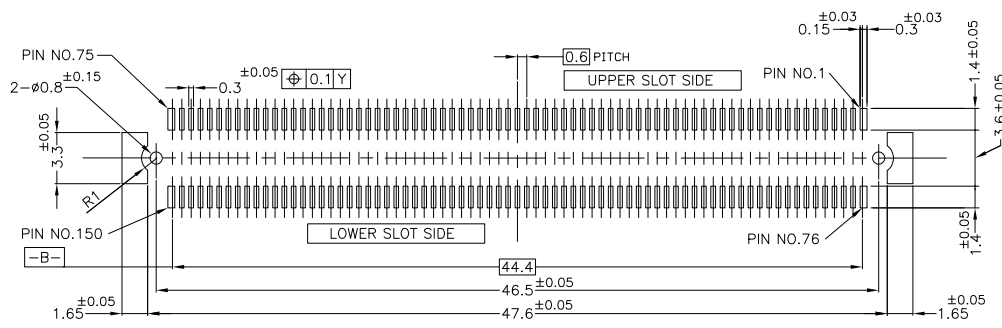
3

2

1

THIS DRAWING IS UNPUBLISHED. RELEASED FOR PUBLICATION
 © COPYRIGHT BY TYCO ELECTRONICS CORPORATION. ALL RIGHTS RESERVED.

LOC		DIST		REVISIONS				
P	LTR	DESCRIPTION	DATE	DWN	APVD			
		SEE SHEET 1						



0.6mm PITCH CARD EDGE CONNECTOR FOR THIS CARDBUS PRODUCTS	
PARTS NUMBER	DESCRIPTION
1123215-1	HARD TRAY ASSY
1376045-1	ON TAPING(EMBOSS)

DETAIL H

PIN ASSIGNMENT

FOR TOP MOUNT

PIN NO.	EXPRESS	SIGNAL NAME	CARD	REC CONN	150P	PIN NO.	EXPRESS	SIGNAL NAME	CARD	REC CONN	150P
1		0V				76		0V			
2		0V				75		0V			
3		0V				74		0V			
4		0V				73		0V			
5		0V				72		0V			
6		0V				71		0V			
7		0V				70		0V			
8		0V				69		0V			
9		0V				68		0V			
10		0V				67		0V			
11		0V				66		0V			
12		0V				65		0V			
13		0V				64		0V			
14		0V				63		0V			
15		0V				62		0V			
16		0V				61		0V			
17		0V				60		0V			
18		0V				59		0V			
19		0V				58		0V			
20		0V				57		0V			
21		0V				56		0V			
22		0V				55		0V			
23		0V				54		0V			
24		0V				53		0V			
25		0V				52		0V			
26		0V				51		0V			
27		0V				50		0V			
28		0V				49		0V			
29		0V				48		0V			
30		0V				47		0V			
31		0V				46		0V			
32		0V				45		0V			
33		0V				44		0V			
34		0V				43		0V			
35		0V				42		0V			
36		0V				41		0V			
37		0V				40		0V			
38		0V				39		0V			
39		0V				38		0V			
40		0V				37		0V			
41		0V				36		0V			
42		0V				35		0V			
43		0V				34		0V			
44		0V				33		0V			
45		0V				32		0V			
46		0V				31		0V			
47		0V				30		0V			
48		0V				29		0V			
49		0V				28		0V			
50		0V				27		0V			
51		0V				26		0V			
52		0V				25		0V			
53		0V				24		0V			
54		0V				23		0V			
55		0V				22		0V			
56		0V				21		0V			
57		0V				20		0V			
58		0V				19		0V			
59		0V				18		0V			
60		0V				17		0V			
61		0V				16		0V			
62		0V				15		0V			
63		0V				14		0V			
64		0V				13		0V			
65		0V				12		0V			
66		0V				11		0V			
67		0V				10		0V			
68		0V				9		0V			
69		0V				8		0V			
70		0V				7		0V			
71		0V				6		0V			
72		0V				5		0V			
73		0V				4		0V			
74		0V				3		0V			
75		0V				2		0V			
76		0V				1		0V			

THIS DRAWING IS A CONTROLLED DOCUMENT.		DWN	Tyco Electronics Corporation Taipei, Taiwan	
DIMENSIONS:	TOLERANCES UNLESS OTHERWISE SPECIFIED:	CHK	NAME	
mm	0 PLC ± 0.5	APVD	CARDBUS-EXPRESS CARD CONNECTOR TOP MOUNT TYPE PUSH-PUSH RIGHT BUTTON	
	1 PLC ± 0.5	PRODUCT SPEC	SIZE	CAGE CODE
MATERIAL	2 PLC ± 0.5	APPLICATION SPEC	A3	00779
	3 PLC ± 0.5	WEIGHT	DRAWING NO	
	4 PLC ± 0.5	CUSTOMER DRAWING	C-1759323	
	ANGLES ± 3'	SCALE	1:1	SHEET
			4	of 4
				REV
				A

AMP 1470-19 REV 31MAR2000