

4

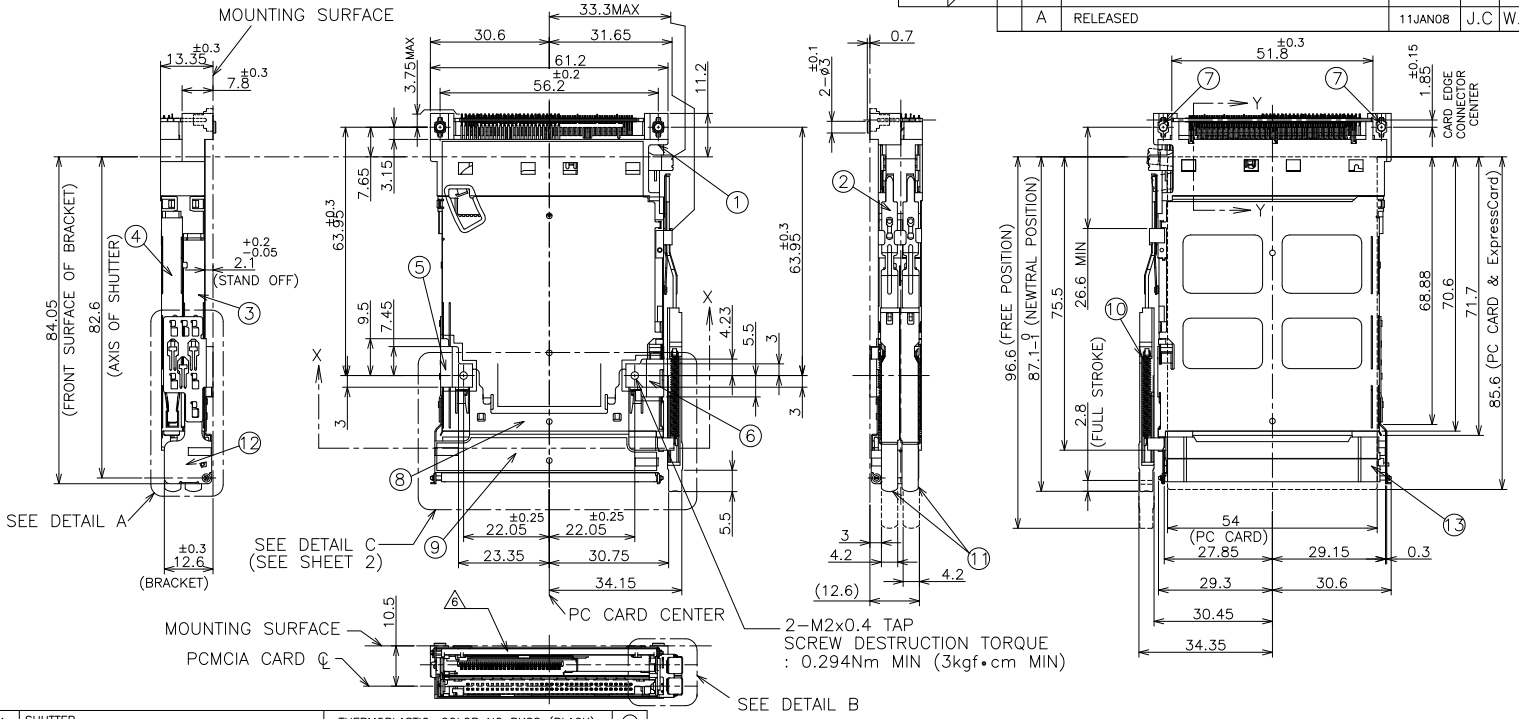
3

2

1

THIS DRAWING IS UNPUBLISHED. RELEASED FOR PUBLICATION
 © COPYRIGHT 2006 BY TYCO ELECTRONICS CORPORATION. ALL RIGHTS RESERVED.

LOC	DIST	REVISIONS				
P	LTR	DESCRIPTION	DATE	DWN	APVD	
A		RELEASED	11 JAN 08	J.C	W.K	



1	SHUTTER	THERMOPLASTIC, COLOR NO.:BK88 (BLACK)	③
1	SHUTTER BRACKET	STAINLESS STEEL	②
2	BUTTON	THERMOPLASTIC, COLOR NO.:BK1213 (BLACK)	①
2	PUSH PLATE SPRING	SWP-B	⑩
1	INSULATION SHEET(SHUTTER BRACKET SURFACE)	POLYESTER FILM	⑨
1	INSULATION SHEET	POLYESTER FILM	⑥
2	NUT (M2x0.4)	STAINLESS STEEL	⑦
1	BRACKET (R)	STAINLESS STEEL	⑥
1	BRACKET (L)	STAINLESS STEEL	⑤
1	LOWER SHELL	STAINLESS STEEL	④
1	UPPER SHELL	STAINLESS STEEL	③
1	PUSH-PUSH SUB ASSY	STAINLESS STEEL, BRASS	②
1	HEADER ASSYB (BOTTOM TYPE)	THERMOPLASTIC, COPPER ALLOY	①
QTY	NAME	MATERIAL	ITEM

THIS DRAWING IS A CONTROLLED DOCUMENT.

DIMENSIONS:	TOLERANCES UNLESS OTHERWISE SPECIFIED:
mm	0 PLC ± 0.5
	1 PLC ± 0.5
	2 PLC ± 0.5
	3 PLC ± 0.5
	4 PLC ± 0.5
	ANGLES ±
MATERIAL	FINISH

DWN	11 JAN 08	Tyco Electronics Tyco Electronics Corporation Taipei, Taiwan
CHK	11 JAN 08	
APVD	11 JAN 08	
NAME		CARDBUS-ExpressCard CONNECTOR DBL SLOT BOTTOM MOUNT TYPE PUSH-PUSH RIGHT BUTTON
PRODUCT SPEC		
APPLICATION SPEC		SIZE
WEIGHT		CAGE CODE
CUSTOMER DRAWING		DRAWING NO
SCALE		DRAWING NO
SHEET		RESTRICTED TO

AMP 1470-19 REV 31MAR2000

1759322-1 : AS SHOWN

108-78210
 A3 00779 C-1759322
 SCALE 1:1 SHEET 1 OF 5 REV A

4

3

2

1

THIS DRAWING IS UNPUBLISHED.

RELEASED FOR PUBLICATION

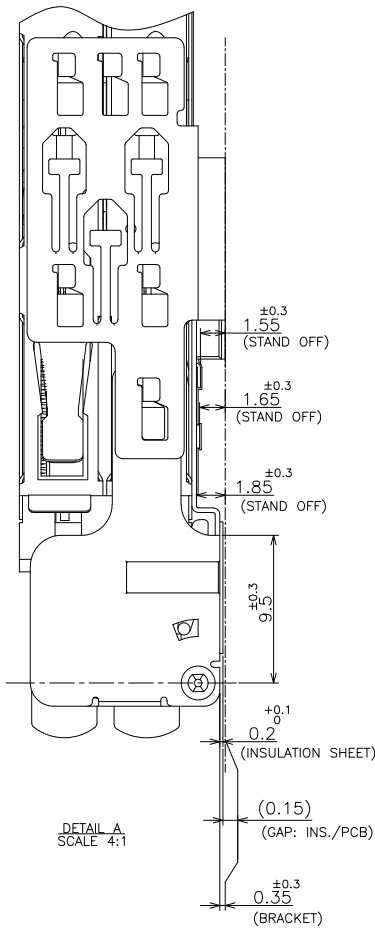
© COPYRIGHT 2004 BY TYCO ELECTRONICS CORPORATION. ALL RIGHTS RESERVED.

LOC DW

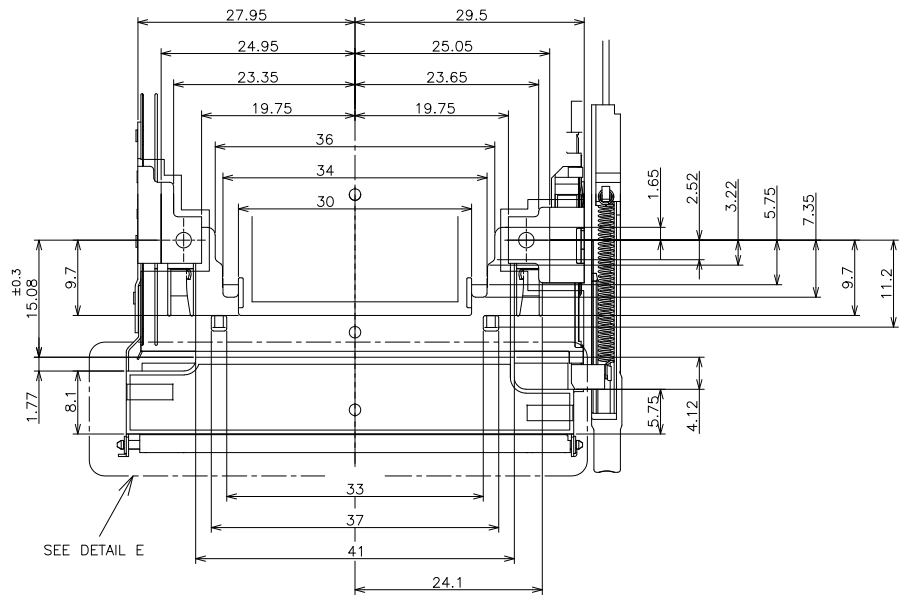
DIST

REVISIONS

P	LTR	DESCRIPTION	DATE	DWN	APVD
-	-	SEE SHEET 1	-	-	-



DETAIL A
SCALE 4:1



DETAIL C
SCALE 2:1

SEE DETAIL E

THIS DRAWING IS A CONTROLLED DOCUMENT.

DIMENSIONS:	TOLERANCES UNLESS OTHERWISE SPECIFIED:
mm	
0 PLC	± 0.5
1 PLC	± 0.5
2 PLC	± 0.5
3 PLC	± 0.5
4 PLC	± 0.5
ANGLES	±

MATERIAL	FINISH

DWN
CHK
APVD
PRODUCT SPEC
APPLICATION SPEC
WEIGHT
CUSTOMER DRAWING

Tyco Electronics Corporation Taipei, Taiwan	
NAME	
CARDBUS-ExpressCard CONNECTOR DBL SLOT BOTTOM MOUNT TYPE PUSH-PUSH RIGHT BUTTON	
SIZE	CAGE CODE DRAWING NO
A3	00779 C-1759322
RESTRICTED TO	
SCALE	SHEET
1:1	2 OF 5
REV	A

4

3

2

1

THIS DRAWING IS UNPUBLISHED. RELEASED FOR PUBLICATION
 © COPYRIGHT 2004 BY TYCO ELECTRONICS CORPORATION. ALL RIGHTS RESERVED.

LOC	DIST	REVISIONS				
P	LTR	DESCRIPTION	DATE	DWN	APVD	
-	-	SEE SHEET 1	-	-	-	

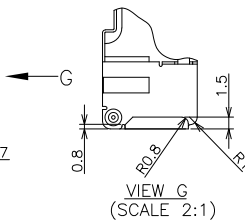
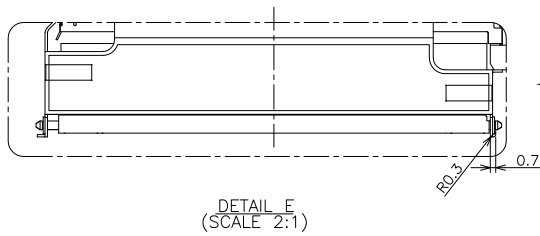
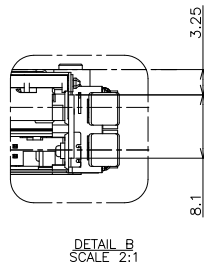
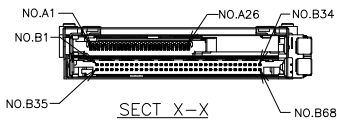
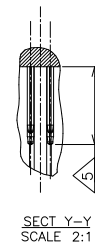


TABLE 1

POST LENGTH	5	3.5	4.25
CIRCUIT NO.	1,17,34,35,51,68	36,67	OTHERS



THIS DRAWING IS A CONTROLLED DOCUMENT.		DWN	Tyco Electronics Corporation Taipei, Taiwan			
DIMENSIONS: mm	TOLERANCES UNLESS OTHERWISE SPECIFIED:	CHK	NAME			
	0 PLC ± 0.5	APVD	CARDBUS-ExpressCard CONNECTOR			
	1 PLC ± 0.5	PRODUCT SPEC	DBL SLOT BOTTOM MOUNT TYPE			
	2 PLC ± 0.5	APPLICATION SPEC	PUSH-PUSH RIGHT BUTTON			
	3 PLC ± 0.5	WEIGHT	SIZE	CAGE CODE	DRAWING NO	RESTRICTED TO
MATERIAL	FINISH	CUSTOMER DRAWING	A3	00779	1759322	
			SCALE	SHEET	REV	
			1:1	3 OF 5	A	

4

3

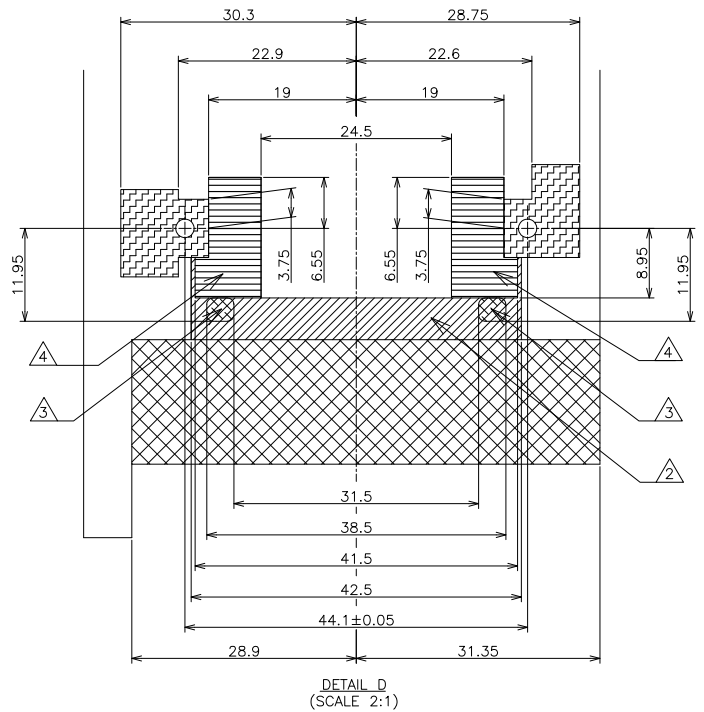
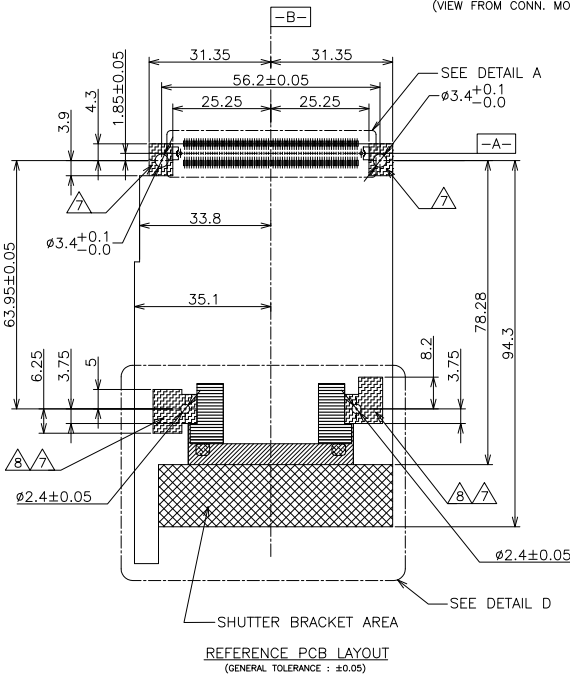
2

1

THIS DRAWING IS UNPUBLISHED. RELEASED FOR PUBLICATION
 © COPYRIGHT 2004 BY TYCO ELECTRONICS CORPORATION. ALL RIGHTS RESERVED.

LOC	DIST	REVISIONS			
P	LTR	DESCRIPTION	DATE	DWN	APVD
-	-	SEE SHEET 1	-	-	-

APPLICABLE P.C. BOARD LAYOUT
 (VIEW FROM CONN. MOUNTING SIDE)



NOTE

- 1 RECOMMENDED TIGHTENING TORQUE
 :FROM 0.15N·m (1.5kg·cm) TO 0.2N·m(2kg·cm)
- △ STAND OFF 1.85±0.3 AREA. [Hatched pattern]
- △ STAND OFF 1.65±0.3 AREA. [Cross-hatched pattern]
- △ STAND OFF 1.55±0.3 AREA. [Solid black]
- △ REFER TO TABLE 1 FOR POST CONTACT LENGTH.
- △ KEEP OPEN CONDITION.
- △ NO ELECTRONICS COMPONENTS.(NO SIGNAL LINE AREA)
- △ GROUNDING PAD.

THIS DRAWING IS A CONTROLLED DOCUMENT.		DWN	Tyco Electronics Corporation Taipei, Taiwan	
DIMENSIONS: mm		CHK	NAME	
TOLERANCES UNLESS OTHERWISE SPECIFIED:		APVD	CARDBUS-ExpressCard CONNECTOR DBL SLOT BOTTOM MOUNT TYPE PUSH-PUSH RIGHT BUTTON	
0 PLC ± 0.5		PRODUCT SPEC	SIZE	CAGE CODE DRAWING NO
1 PLC ± 0.5		APPLICATION SPEC	A3	00779 C-1759322
2 PLC ± 0.5		WEIGHT	RESTRICTED TO	
3 PLC ± 0.5		CUSTOMER DRAWING	SCALE	SHEET
4 PLC ± 0.5			1:1	4 OF 5
ANGLES ±				REV A

4

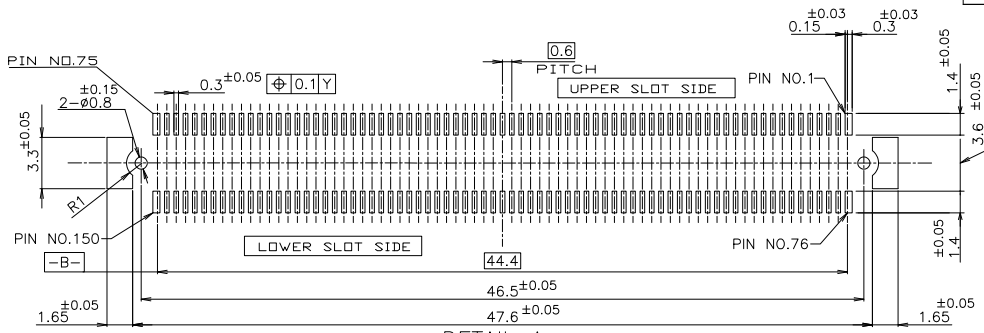
3

2

1

THIS DRAWING IS UNPUBLISHED. RELEASED FOR PUBLICATION
 © COPYRIGHT 2004 BY TYCO ELECTRONICS CORPORATION. ALL RIGHTS RESERVED.

LOC	DIST	REVISIONS					
DW		P	LTR	DESCRIPTION	DATE	DWN	APVD
		-	-	SEE SHEET 1	-	-	-



0.6mm PITCH CARD EDGE CONNECTOR FOR THIS CARDBUS PRODUCTS	
Parts Number	Description
6123215-1	HARD TRAY ASSY
6376045-1	ON TAPING(EMBOSS)

B68	150	GND	75	COMMON	PIN NO. Express CARD
B67	149	GND	74	COMMON	PIN NO. Express CARD
B66	148	GND	73	COMMON	PIN NO. Express CARD
B65	147	GND	72	COMMON	PIN NO. Express CARD
B64	146	GND	71	COMMON	PIN NO. Express CARD
B63	145	GND	70	COMMON	PIN NO. Express CARD
B62	144	GND	69	COMMON	PIN NO. Express CARD
B61	143	GND	68	COMMON	PIN NO. Express CARD
B60	142	GND	67	COMMON	PIN NO. Express CARD
B59	141	GND	66	COMMON	PIN NO. Express CARD
B58	140	GND	65	COMMON	PIN NO. Express CARD
B57	139	GND	64	COMMON	PIN NO. Express CARD
B56	138	GND	63	COMMON	PIN NO. Express CARD
B55	137	GND	62	COMMON	PIN NO. Express CARD
B54	136	GND	61	COMMON	PIN NO. Express CARD
B53	135	GND	60	COMMON	PIN NO. Express CARD
B52	134	GND	59	COMMON	PIN NO. Express CARD
B51	133	GND	58	COMMON	PIN NO. Express CARD
B50	132	GND	57	COMMON	PIN NO. Express CARD
B49	131	GND	56	COMMON	PIN NO. Express CARD
B48	130	GND	55	COMMON	PIN NO. Express CARD
B47	129	GND	54	COMMON	PIN NO. Express CARD
B46	128	GND	53	COMMON	PIN NO. Express CARD
B45	127	GND	52	COMMON	PIN NO. Express CARD
B44	126	GND	51	COMMON	PIN NO. Express CARD
B43	125	GND	50	COMMON	PIN NO. Express CARD
B42	124	GND	49	COMMON	PIN NO. Express CARD
B41	123	GND	48	COMMON	PIN NO. Express CARD
B40	122	GND	47	COMMON	PIN NO. Express CARD
B39	121	GND	46	COMMON	PIN NO. Express CARD
B38	120	GND	45	COMMON	PIN NO. Express CARD
B37	119	GND	44	COMMON	PIN NO. Express CARD
B36	118	GND	43	COMMON	PIN NO. Express CARD
B35	117	GND	42	COMMON	PIN NO. Express CARD
B34	116	GND	41	COMMON	PIN NO. Express CARD
B33	115	GND	40	COMMON	PIN NO. Express CARD
B32	114	GND	39	COMMON	PIN NO. Express CARD
B31	113	GND	38	COMMON	PIN NO. Express CARD
B30	112	GND	37	COMMON	PIN NO. Express CARD
B29	111	GND	36	COMMON	PIN NO. Express CARD
B28	110	GND	35	COMMON	PIN NO. Express CARD
B27	109	GND	34	COMMON	PIN NO. Express CARD
B26	108	GND	33	COMMON	PIN NO. Express CARD
B25	107	GND	32	COMMON	PIN NO. Express CARD
B24	106	GND	31	COMMON	PIN NO. Express CARD
B23	105	GND	30	COMMON	PIN NO. Express CARD
B22	104	GND	29	COMMON	PIN NO. Express CARD
B21	103	GND	28	COMMON	PIN NO. Express CARD
B20	102	GND	27	COMMON	PIN NO. Express CARD
B19	101	GND	26	COMMON	PIN NO. Express CARD
B18	100	GND	25	COMMON	PIN NO. Express CARD
B17	99	GND	24	COMMON	PIN NO. Express CARD
B16	98	GND	23	COMMON	PIN NO. Express CARD
B15	97	GND	22	COMMON	PIN NO. Express CARD
B14	96	GND	21	COMMON	PIN NO. Express CARD
B13	95	GND	20	COMMON	PIN NO. Express CARD
B12	94	GND	19	COMMON	PIN NO. Express CARD
B11	93	GND	18	COMMON	PIN NO. Express CARD
B10	92	GND	17	COMMON	PIN NO. Express CARD
B9	91	GND	16	COMMON	PIN NO. Express CARD
B8	90	GND	15	COMMON	PIN NO. Express CARD
B7	89	GND	14	COMMON	PIN NO. Express CARD
B6	88	GND	13	COMMON	PIN NO. Express CARD
B5	87	GND	12	COMMON	PIN NO. Express CARD
B4	86	GND	11	COMMON	PIN NO. Express CARD
B3	85	GND	10	COMMON	PIN NO. Express CARD
B2	84	GND	9	COMMON	PIN NO. Express CARD
B1	83	GND	8	COMMON	PIN NO. Express CARD
B0	82	GND	7	COMMON	PIN NO. Express CARD
B-1	81	GND	6	COMMON	PIN NO. Express CARD
B-2	80	GND	5	COMMON	PIN NO. Express CARD
B-3	79	GND	4	COMMON	PIN NO. Express CARD
B-4	78	GND	3	COMMON	PIN NO. Express CARD
B-5	77	GND	2	COMMON	PIN NO. Express CARD
B-6	76	GND	1	COMMON	PIN NO. Express CARD

PIN ASSIGNMENT FOR BOTTOM MOUNT

THIS DRAWING IS A CONTROLLED DOCUMENT.

DIMENSIONS:	TOLERANCES UNLESS OTHERWISE SPECIFIED:
mm	0 PLC ± 0.5
	1 PLC ± 0.5
	2 PLC ± 0.5
	3 PLC ± 0.5
	4 PLC ± 0.5
	ANGLES ±
MATERIAL	FINISH

Tyco Electronics Tyco Electronics Corporation
 Taipei, Taiwan

NAME: CARDBUS-ExpressCard CONNECTOR
 DBL SLOT BOTTOM MOUNT TYPE
 PUSH-PUSH RIGHT BUTTON

SIZE: A3 CAGE CODE: 00779 DRAWING NO: 1759322 RESTRICTED TO

CUSTOMER DRAWING SCALE: 1:1 SHEET: 5 OF 5 REV: A