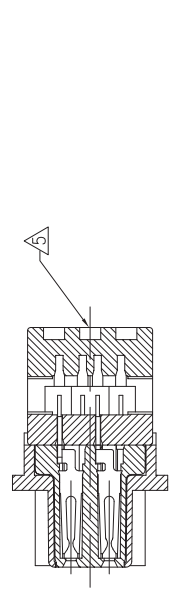


REV. NO.	REV. DATE	REVISIONS	
		DESCRIPTION	DATE
GP 00	AT	REVISED PER ECO-06-17702	1
		MAJOR	LRP SS

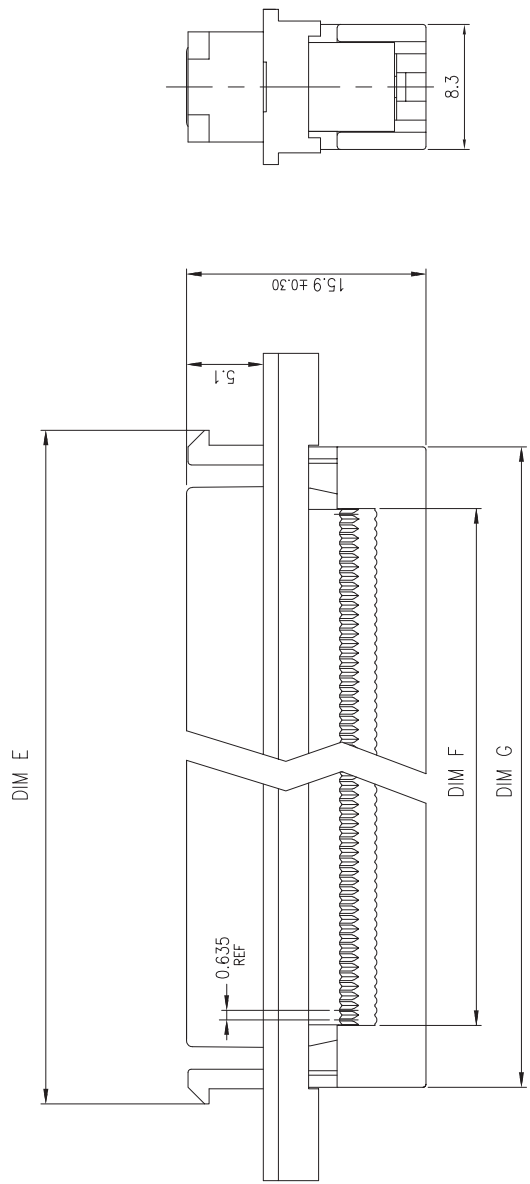
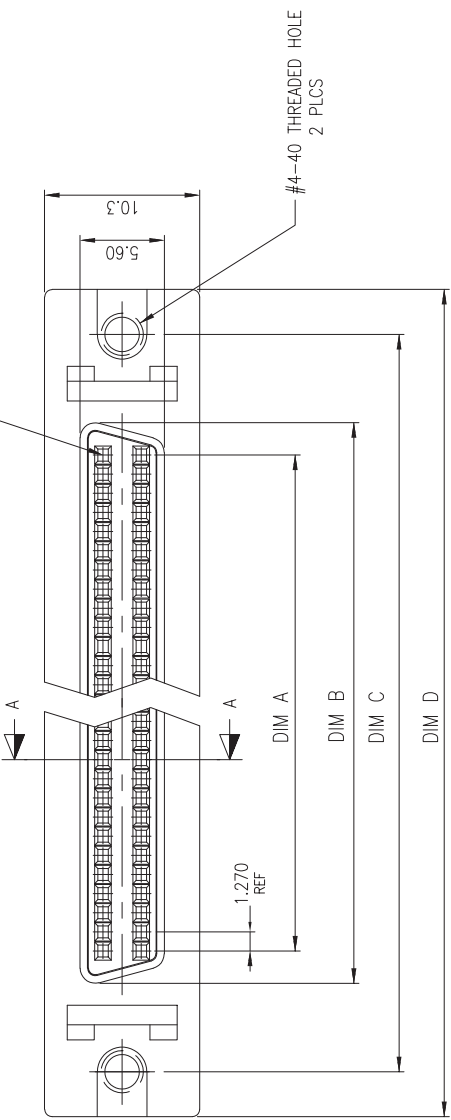


SEC. A-A

- 1 HOUSING: PBT, 30% GLASS REINFORCED, UL94V-0, COLOR BLACK.
- CONTACTS: PHOS. BRONZE.
- BRACKET: ZINC ALLOY.
- 2 CONTACTS: GOLD PLATED (SEE TABLE) ON MATING END, 1.27um [.000050in] MIN MATTE TIN ON TERMINATION AREA, ALL OVER 1.27um [.000050in] MIN NICKEL ON ENTIRE CONTACT.
- 3 BRACKET: 1.27um [.000050] MIN. NICKEL.

- 4 SPECIFICATIONS: CURRENT RATING: 1A. VOLTAGE RATING: 30V AC. INSULATION RESISTANCE: 1000 MILLIOHMS MIN. AT 500V DC. CONTACT RESISTANCE: 55 MILLIOHMS MAX. DIELECTRIC WITHSTANDING VOLTAGE: 250V AC FOR 1 MINUTE. CONTACT RETENTION FORCE: 600 gf MIN. TOTAL INSERTION FORCE: 4 Kgf MAX. (FORCE DEPENDENT ON MATING CONNECTOR) TOTAL WITHDRAWAL FORCE: 1.5 Kgf MAX. (FORCE DEPENDENT ON MATING CONNECTOR) WIRE COVER RETENTION FORCE: 6 Kgf MIN. OPERATION TEMPERATURE: -55°C TO 85°C.
- 5 FOR USE WITH 30 & 32 AWG FLAT RIBBON CABLE. SELECTION OF COMPATIBLE RIBBON CABLE AND APPLICATION TOOLING FOR USE WITH THIS PRODUCT IS THE RESPONSIBILITY OF THE USER.

- 6 TYCO LOGO LOCATED ON THIS SURFACE.
- 7 SPECIFICATIONS SUBJECT TO CHANGE WITHOUT NOTICE.
- 8 CONTACT TYCO ELECTRONICS FOR THE LATEST SPECIFICATIONS.
- 9 PACKAGED IN TRAYS.



51.5	43.30	53.70	63.90	57.93	46.20	41.91	0.03um	[.000001in]	68	2-5390399-7
40.07	31.87	42.27	52.47	46.50	34.77	30.48	0.03um	[.000001in]	50	2-5390399-5
51.5	43.30	53.70	63.90	57.93	46.20	41.91	0.38um	[.000015in]	68	1-5390399-7
40.07	31.87	42.27	52.47	46.50	34.77	30.48	0.38um	[.000015in]	50	1-5390399-5
51.5	43.30	53.70	63.90	57.93	46.20	41.91	0.76um	[.000030in]	68	5390399-7
40.07	31.87	42.27	52.47	46.50	34.77	30.48	0.76um	[.000030in]	50	5390399-5

DIM G	DIM F	DIM E	DIM D	DIM C	DIM B	DIM A	CONTACT FINISH	NO OF PART POS	PART NUMBER	
THIS DRAWING IS A CONTROLLED DOCUMENT.								NO	REV	
DRAWN: J. J. GREGG								DESIGNED: S. SHILEY	APPROVED: M. WILMUSLEY	
CHECKED: S. SHILEY								DATE: 12/15/03	PROJECT: 684-1971 CENTERLINE	
TYPED: M. WILMUSLEY								SCALE: AS SHOWN	DESCRIPTION: RECEPTACLE ASSY. LATCHES.	
MATERIAL: BRASS								PROCESS: 0.64(.127) CENTERLINE	TERMINAL: 1.27(.050) SERIES	
FINISH: MATH								TEST: 100% (SEE DRAWING)	REVISIONS TO:	
NICKEL								DATE: 12/15/03	PROJECT: 684-1971 CENTERLINE	
DRAWING: 1								REV: 1	REV: 1	
CUSTOMER DRAWING								DATE: 12/15/03	PROJECT: 684-1971 CENTERLINE	