

4

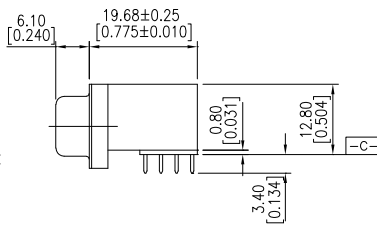
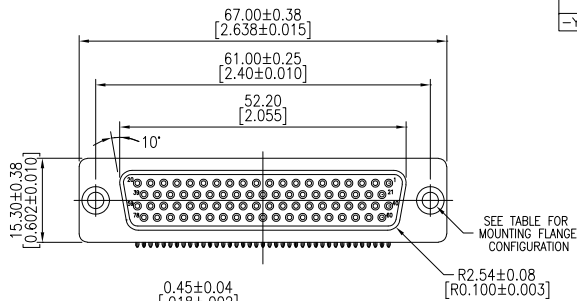
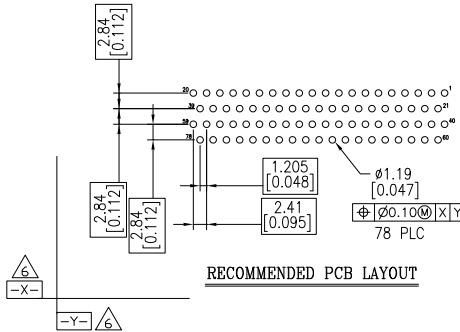
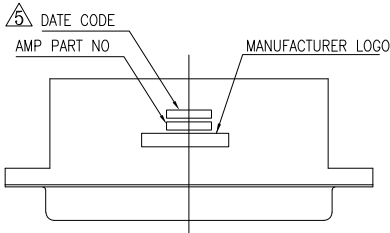
3

2

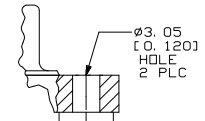
1

THIS DRAWING IS UNPUBLISHED. RELEASED FOR PUBLICATION.
 © COPYRIGHT BY TYCO ELECTRONICS CORPORATION. ALL RIGHTS RESERVED.

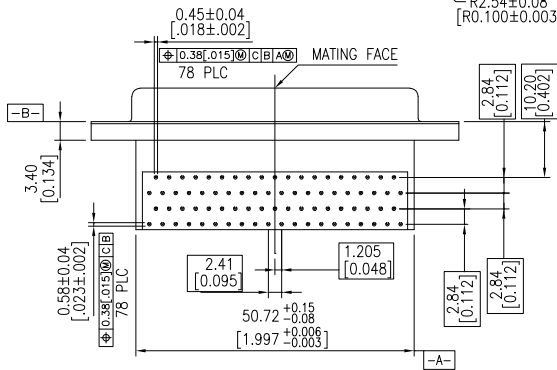
LOC	DIST	REVISIONS					
GP	00	P	LTR	DESCRIPTION	DATE	BY	APPD
		0		RELEASED PER EC 0513-0056-05	20JUN05	BM	SB



- HOUSING MATERIAL: PBT, GLASS FILLED, BLACK, UL 94V-0 RATED.
 - CONTACT MATERIAL: PHOSPHOR BRONZE.
 - CONTACT FINISH: GOLD PLATE IN MATING AREA (SEE TABLE), 120µ" MIN TIN PLATE ON SOLDER TAIL, BOTH OVER 50µ" MIN NICKEL UNDERPLATE.
 - SHELL: STEEL, NICKEL PLATE.
- △ DATE CODE IN THIS FORMAT:
 01 45
 Year Manufacturing Week
- △ DATUMS -X- & -Y- TO BE ESTABLISHED BY CUSTOMER.



Detail A



Tray	Detail A	Gold flash	5788147-3
Tray	Detail A	15µ" MIN	5788147-2
Tray	Detail A	30µ" MIN	5788147-1
Packaging	Mounting Flange Configuration	CONTACT MATING AREA FINISH	PART NUMBER

THIS DRAWING IS A CONTROLLED DOCUMENT.		BY: MCMMASTER 2250POS	Tyco Electronics Corporation	
DIMENSIONS: mm		CHK: BOLASH 2250POS	Harrisburg, PA 17105-3608	
TOLERANCES UNLESS SPECIFIED:		APPD: M. WALMSLEY 2250POS	AMPLITE HD-22	
0 PLC ±	1 PLC ± 0.30	PRODUCT SPEC: -	78 POS RECEPTACLE, RIGHT ANGLE	
2 PLC ± 0.50	3 PLC ± 0.10	APPLICATION SPEC: -	SIZE: A2	CAGE CODE: 00779
4 PLC ± 0.15	ANGLES ± 0.5°	WEIGHT: -	DRAWING NO: C-5788147	RESTRICTED TO: -
MATERIAL: -	FINISH: -	CUSTOMER DRAWING	SCALE: 4:1	SHEET: 1 of 1

AMP 1471-9 REV 31MAR2000

5788147

A