

4

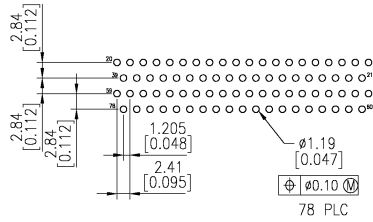
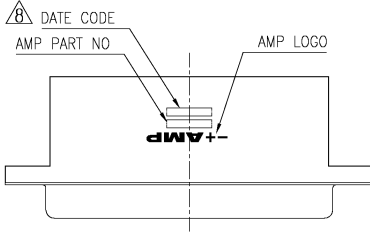
3

2

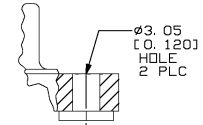
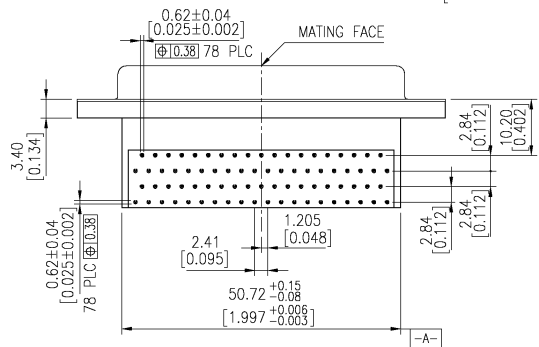
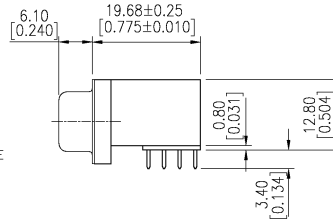
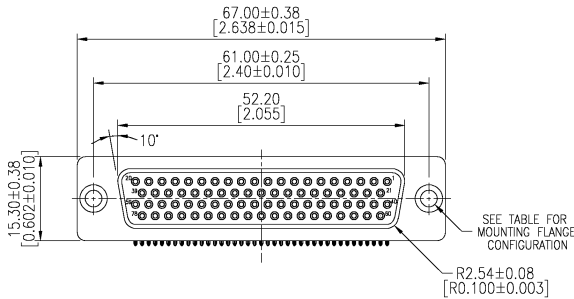
1

THIS DRAWING IS UNPUBLISHED. RELEASED FOR PUBLICATION  
 © COPYRIGHT BY TYCO ELECTRONICS CORPORATION. ALL RIGHTS RESERVED.

LIC		DST		REVISIONS			
GP	00	P	LTR	DESCRIPTION	DATE	DN	APD
		D		REVISED PER EC 0513-0380-03	24SEP03	JG	CC



RECOMMENDED PCB LAYOUT



Detail A

## MATERIAL:

- Housing: PBT, 30% G.F polyester, Black. (UL 94V-0 Rated)
  - Contact: Phos. Bronze.
  - Contact Plated: Gold Plated over 50u" Nickel underplated.
  - Solder Tail: Sn/Pb Plated 120u" over 50u" Nickel underplated.
  - Shell: Steel, Nickel Plated.
- △ Four digit date code in this format.

Year 01 45 Manufacturing Week

Tray	Detail A	Gold flash	788147-3
Tray	Detail A	15 μ"	788147-2
Tray	Detail A	30 μ"	788147-1
Packaging	Mounting Flange	Contact Finish	AMP Part NO.

DIMENSIONS:		TOLERANCES UNLESS OTHERWISE SPECIFIED:		APD		NAME	
0 PLC	± .005	0	± .005	APD	---	Tyco Electronics Corporation	
1 PLC	± .003	1	± .003	PRODUCT SPEC	---	AMPLIMITE HD-22	
2 PLC	± .002	2	± .002	APPLICATION SPEC	---	78 POS RECEPTACLE, RIGHT ANGLE	
3 PLC	± .010	3	± .010	---	---	SIZE	DWG CODE
4 PLC	± .010	4	± .010	---	---	A2	00779
ANGLES	± .010	---	---	---	---	DRAWING NO	788147
FINISH	---	---	---	---	---	RESTRICTED TO	---
MATERIAL	---	---	---	---	---	CUSTOMER DRAWING	---
				SCALE	4:1	SHEET	1 OF 1
				REV	---	---	---

AMP 1471-9 REV 31MAR2000

788147

A