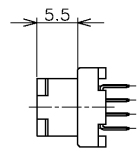
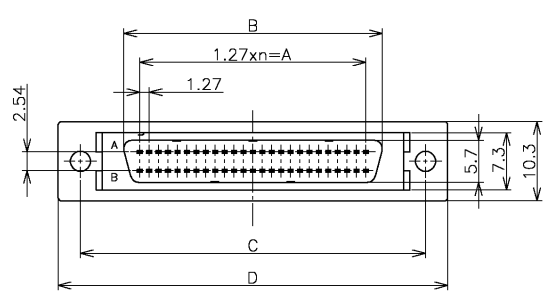
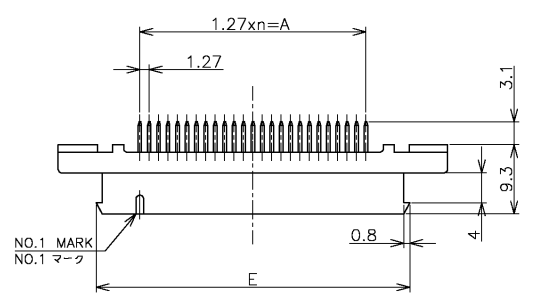
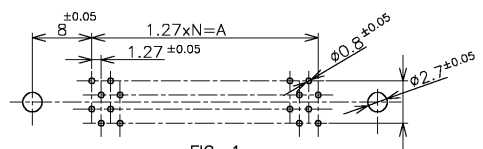
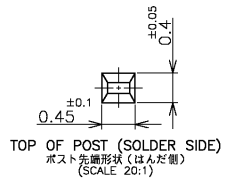
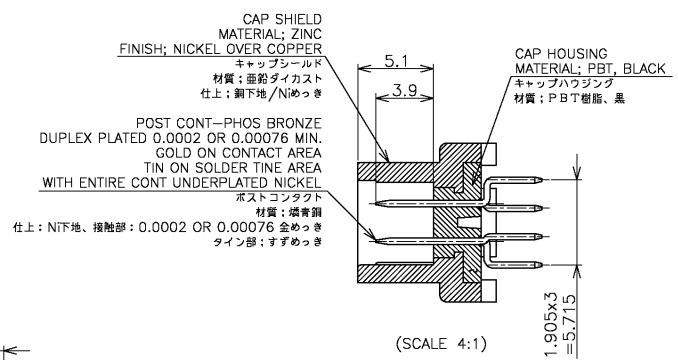


THIS DRAWING IS UNPUBLISHED. RELEASED FOR PUBLICATION MAY 1989.  
 © COPYRIGHT 1989 BY TYCO ELECTRONICS CORPORATION. ALL RIGHTS RESERVED.

| LOC | DIST | REVISIONS   |              |         |         |
|-----|------|-------------|--------------|---------|---------|
| P   | LR   | DESCRIPTION | DATE         | DRN     | APVD    |
| B   |      | REVISED     | FJBD-0440-03 | 16DEC03 | H.T Y.Y |



鉛フリー  
LEAD FREE



|                           |     |    |       |       |      |      |       |          |            |
|---------------------------|-----|----|-------|-------|------|------|-------|----------|------------|
| GENERAL TOLERANCE<br>一般公差 | 68  | 33 | 41.91 | 46.28 | 57.9 | 63.9 | 53.71 | 0.00076  | 2-174339-5 |
| 10 ≥: ±0.2                | 50  | 24 | 30.48 | 34.85 | 46.5 | 52.5 | 42.28 | MIN      | 2-174339-4 |
| 30 ≥ > 10: ±0.25          | 68  | 33 | 41.91 | 46.28 | 57.9 | 63.9 | 53.71 | 0.0002   | 174339-5   |
| 100 ≥ > 30: ±0.3          | 50  | 24 | 30.48 | 34.85 | 46.5 | 52.5 | 42.28 | MIN      | 174339-4   |
| ANGLES: ±3°               | POS | N  | A     | B     | C    | D    | E     | GOLD THK | PART NO.   |

THIS DRAWING IS A CONTROLLED DOCUMENT.

|                           |                            |  |                    |
|---------------------------|----------------------------|--|--------------------|
| DWN: H. TAGUCHI 16DEC03   | <b>tyco</b><br>Electronics | Tyco Electronics AMP K.K.  |                    |
| CHK: T. FUTATSUGI 16DEC03 |                            | Kawasaki, Japan  |                    |
| APVD: H. KODAMA 16DEC03   | NAME:                      | CAP HEADER (VERTICAL/M2.5)<br>AMPLIMITE .050 SERIES II CONN.<br>TYPE B |                    |
| PRODUCT SPEC              | SIZE:                      | A3   | RESTRICTED TO      |
| APPLICATION SPEC          | CAGE CODE:                 | 00779  |                    |
| WEIGHT:                   | DRAWING NO:                | C-174339   |                    |
| MATERIAL: SEE ABOVE       | CUSTOMER DRAWING           | SCALE: 2:1   | SHEET 1 OF 1 REV B |

- 基板パターン寸法図はFIG.1に示す通り。
- 適用ねじはM2.5x0.45のなべ小ねじ。
- かん合相手コネクタ: X-174340-X
- P.C BOARD HOLE LAY-OUT AS SHOWN FIG.1
- USED SCREW; M2.5x0.45 PANHEAD SCREW.
- CONNECTOR TO BE MATED; X-174340-X

AMP 1470-19 REV 31MAR2000

P:\Miscellaneous\Taguchi\Autocad\Lead\_Free\FJBD-0440-03\C-174339\_B.dwg