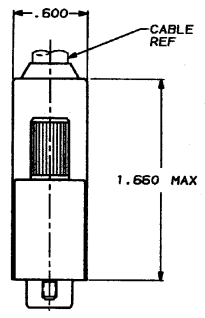
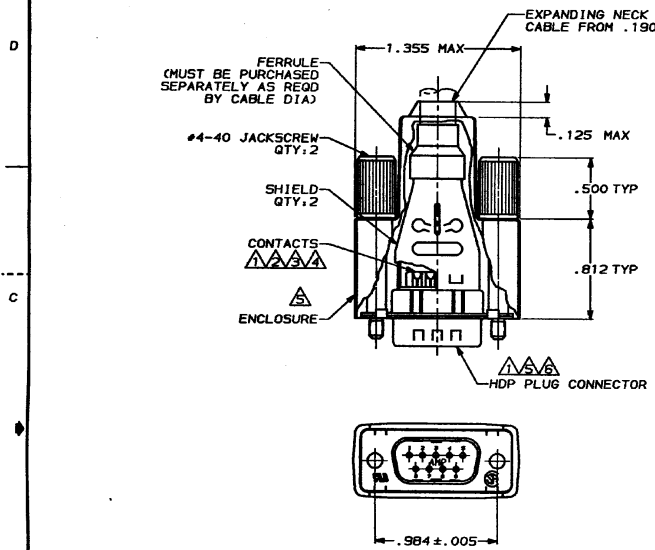


SHOWN MADE IN THIRD ANGLE PROJECTION

THIS DRAWING IS UNPUBLISHED. RELEASED FOR PUBLICATION
 © COPYRIGHT 19 BY AMP INCORPORATED. ALL INTERNATIONAL RIGHTS RESERVED.

NO	REV	DATE	DESCRIPTION	DATE	APPD
2	BD	39			
REVISIONS					
	B		REDRAWN	6-7-68	
	C		REV PER ECN BD4814	8/29/68	
	D		REV PER ECN BD5049	7-3-68	TMS
	E		REVISED PER ECN BD6133	8/29/68	TMS



- ▲ PLUG CONNECTOR FULLY LOADED WITH CONTACTS. ALL OTHER PARTS ARE SHIPPED UNASSEMBLED, EACH PART INDIVIDUALLY BULK PACKED.
- ▲ PHOSPHOR BRONZE PER QQ-B-750.
- ▲ SOLDER CUP WILL ACCOMMODATE 20 AWG MAX WIRE.
- ▲ GOLD FLASH FOR LENGTH OF .150 MIN ON MATING END. .000150-.000300 TIN LEAD ON SOLDER END, ALL OVER .000030 NICKEL ON ENTIRE CONTACT.
- ▲ FLAME RETARDANT 94V-0 RATED THERMOPLASTIC, BLACK.
- ▲ STEEL PER ASTM A109.
- ▲ TIN PLATING PER MIL-T-10727.
- ▲ ZINC PLATING PER ASTM B633, TYPE II, CLASS SCI, BLACK CHROMATE.

▲	748046-1
CONTACT FINISH	PART NUMBER

DO NOT SCALE PRINT. UNLESS SPECIFIED DIMENSIONS IN INCHES TOLERANCES ON + 2 PLC DEC - 3 PLC DEC ± .020 ANGLES ± -	DR 6-7-68 J GALLUCCI BG	AMP INCORPORATED Murrysburg, Pa. 17105
CONTACTS: ▲ SOLDER PARTS: ▲ SHELLS & SHIELDS: ▲ JACKSCREWS: ZINC ALLOY ▲	CHK 8-31-68 J. ROSS LINTON	
FINISH: CONTACTS, SEE TABLE SHELLS & SHIELDS: ▲ JACKSCREWS: ▲	APPD 9-4-60 BOB TAYLOR	NAME BULK KIT, PLUG, AMPLIMITE™, SOLDER CUP, SHIELDING ENCLOSURE, 9 POSN, SIZE 1, HDP-20
	APPD 9-4-60 J. ASSINI	SIZE C 00779
	PRODUCT SPEC	SCALE 2,1
	APPLICATION SPEC	DRAWING NO 748046
	WEIGHT	SHEET 1 OF 1

AMP 1474-6 10/27/68
 2 APR 1992 15:26:51 amp2961 / users/mc226/4422/amp2961/ALN6133

CUSTOMER DRAWING

748046

A

D

C

B

D

C

B

A