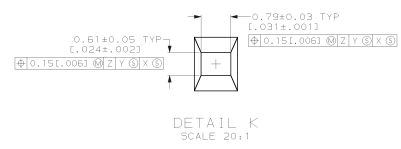
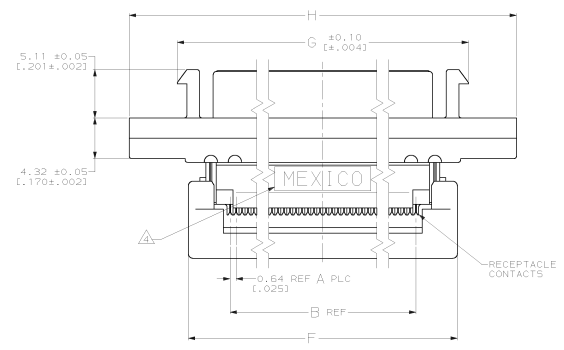
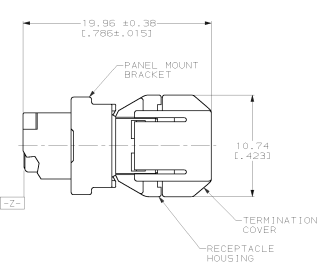
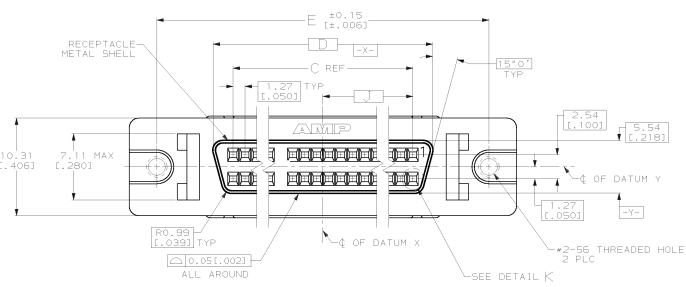


DRAWING MADE IN THIRD ANGLE PROJECTION  
 THIS DRAWING IS UNPUBLISHED. RELEASED FOR PUBLICATION  
 © COPYRIGHT 19 BY AMP INCORPORATED. ALL INTERNATIONAL RIGHTS RESERVED.

REV	ISS	DATE	BY	CHKD	APPD	DESCRIPTION	DATE	APPD
GP	00		J			SUPERCEDED PER 051C-0019-01		CC



SUPERCEDED BY 390379-5 & -7

- △ MATERIAL:  
 RECEPTACLE CONTACTS- PHOSPHOR BRONZE  
 RECEPTACLE METAL SHELL- STEEL  
 PANEL MOUNT BRACKET- ZINC  
 RECEPTACLE HOUSING- UL 94V-0 RATED THERMOPLASTIC, COLOR: BLACK.  
 TERMINATION COVER- UL 94V-0 RATED THERMOPLASTIC, COLOR: BLACK.
- △ PLATING:  
 RECEPTACLE CONTACTS- 0.76 μm [L.00030] MINIMUM GOLD PLATE IN CONTACT AREA, 1.27 μm [L.00050] MINIMUM BRIGHT TIN-LEAD PLATE IN TERMINATION AREA, ALL OVER 1.27 μm [L.00050] MINIMUM NICKEL.  
 RECEPTACLE METAL SHELL- 5.08 μm [L.00020] MINIMUM NICKEL OVER 1.27 μm [L.00050] MINIMUM COPPER.  
 PANEL MOUNT BRACKET- 5.08 μm [L.00020] MINIMUM NICKEL OVER 7.62 μm [L.00030] MINIMUM COPPER.
- △ RECOMMENDED WIRE:  
 #30 AWG STRANDED RIBBON CABLE- SEE AMP DRAWING NO. 786109.  
 #30 AWG SOLID RIBBON CABLE- SEE AMP DRAWING NO. 786109.
- △ OPTIONAL MARKING IN THIS AREA, EITHER SIDE.

SUPERCEDED BY 390379-7		30 AWG	20.95 [L.825]	63.88 [2.513]	53.72 [2.115]	51.38 [2.023]	58.04 [2.285]	46.13 [1.813]	41.91 [1.650]	42.54 [1.675]	67	68	786161-7
SUPERCEDED BY 390379-5		30 AWG	15.24 [L.600]	52.45 [2.065]	42.29 [1.665]	39.95 [1.573]	46.61 [1.835]	34.70 [1.366]	30.48 [1.200]	31.12 [1.225]	49	50	786161-5

RIBBON CABLE	J	H	G	F	E	D	C	B	A	NO. OF PINS	PART NO.
DO NOT SCALE PRINT. UNLESS SPECIFIED DIMENSIONS IN mm (INCHES) PHOSPHOR BR. 3 PLC SEE # R13 1.090	09/30/89	PLC DRINK	09/31/89	NAME DW15	AMPD 2-14-92	1.090000	AMPD 2-14-92	1.090000	AMPD 2-14-92	1.090000	
MATERIAL	△										
FINISH	△										
APPLICATION SPEC											
RETURN											

**AMP** AMP Incorporated  
 Harrisburg, PA 17105-3608

RECEPTACLE ASSEMBLY,  
 HIGH NORMAL FORCE, RAILESS,  
 PANEL MOUNT, .025 CENTERLINE,  
 AMPLIMATE™ .050 Series