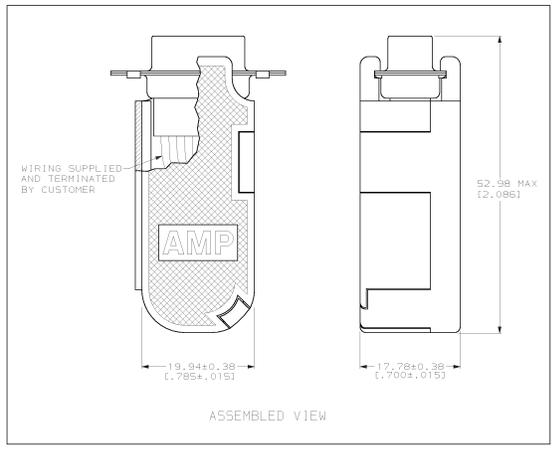
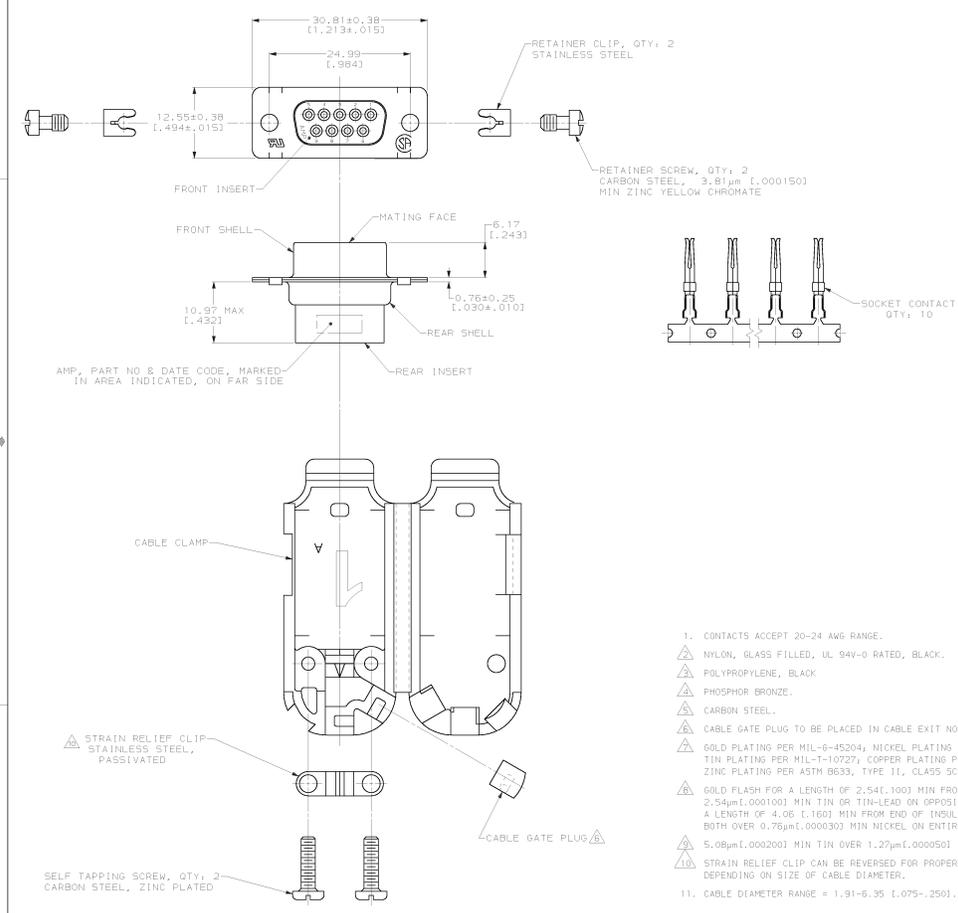


DRAWING MADE IN 3D CAD PRODUCTION
 THIS DRAWING IS UNPUBLISHED. RELEASED FOR PUBLICATION
 © COPYRIGHT 19 BY AMP INCORPORATED. ALL INTERNATIONAL RIGHTS RESERVED.

REV	BY	DATE	DESCRIPTION	DATE	APPD
D	BD	48	RELEASED PER NFR 2503	1-4-90	-
A			REV PER ECN 004220	10-07-89	JK
B			REV PER ECN 005795	10-08-89	RM
C			REV PER EC 0020-84-93	10-07-89	SB
D			REV PER EC 0420-9-98	10-08-89	JK
E			REV PER EC 0100-0123-00	11-08-89	JK



- CONTACTS ACCEPT 20-24 AWG RANGE.
- NYLON, GLASS FILLED, UL 94V-0 RATED, BLACK.
- POLYPROPYLENE, BLACK
- PHOSPHOR BRONZE.
- CARBON STEEL.
- CABLE GATE PLUG TO BE PLACED IN CABLE EXIT NOT BEING USED.
- GOLD PLATING PER MIL-6-45204; NICKEL PLATING PER QQ-N-290; TIN PLATING PER MIL-T-10727; COPPER PLATING PER MIL-C-14550; ZINC PLATING PER ASTM B633, TYPE II, CLASS 5C1.
- GOLD FLASH FOR A LENGTH OF 2.54±1.003 MIN FROM MATING END, 2.54µm (0.000100) MIN TIN OR TIN-LEAD ON OPPOSITE END FOR A LENGTH OF 4.06 (0.160) MIN FROM END OF INSULATION BARREL, BOTH OVER 0.76µm (0.000030) MIN NICKEL ON ENTIRE CONTACT.
- 5.08µm (0.000200) MIN TIN OVER 1.27µm (0.000050) MIN COPPER.
- STRAIN RELIEF CLIP CAN BE REVERSED FOR PROPER INSTALLATION, DEPENDING ON SIZE OF CABLE DIAMETER.
- CABLE DIAMETER RANGE = 1.91-6.35 (0.075-.250).

DO NOT SCALE PRINT. UNLESS SPECIFIED DIMENSIONS IN mm (INCHES) PLS. USE 0.01 (0.0005) 3 P.L.C. DEC. #		DR 1-5-90 W. GLENNER	749812-1 PART NO.
MATERIALS: CABLE CLAMP, CABLE CONTACTS, SHELLS, CABLE GATE PLUGS		APPD 6-5-90 BOB TAYLOR	AMP INCORPORATED Harrisburg, PA 17105
FINISH: SHELLS, CONTACTS		PRODUCT SPEC 108-40005	NAME: RECEPTACLE KIT, UNASSEMBLED, SIZE 1, 9 POSITION, AMPLIMITE® HDP-20
APPLICATION SPEC 114-10000		SCALE 3:1	SIZE: D 00779 DRAWING NO: 749812-1
RETURN			SHEET 1 OF 1

18-499-00 06/56/16 amp34933 Phone:amp34933@amp.com

CUSTOMER DRAWING