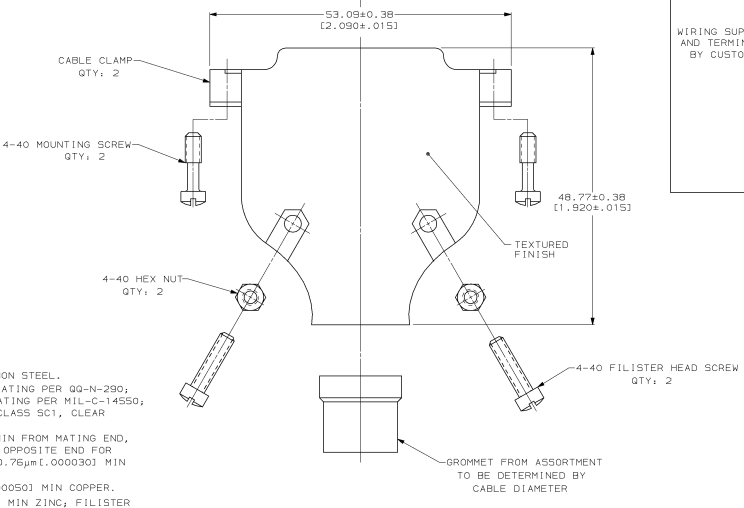
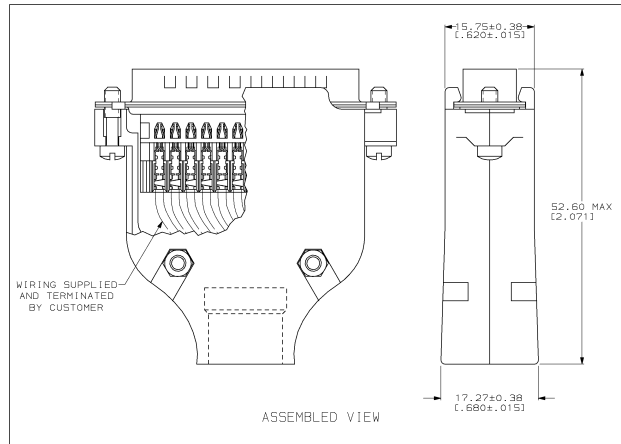
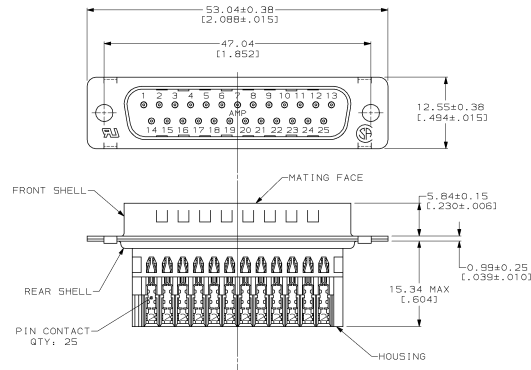
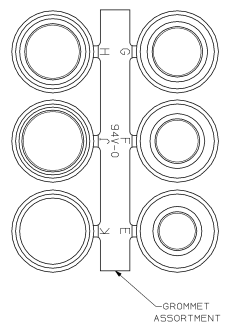


DRAWING MADE IN THIRD PARTY PROTECTION  
 THIS DRAWING IS UNPUBLISHED.  
 RELEASED FOR PUBLICATION  
 BY AMP INCORPORATED. ALL INTERNATIONAL RIGHTS RESERVED.  
 © COPYRIGHT 19

REVOLUTIONS		DATE	APPD
0	RELEASED -E PER NPR 4777,	06/09/93	-
A	WAS 93-5870-1-6		
A	REV PER EC 0020-309-95	06/04/96	JS
B	REV PER EC 0020-881-95	01/04/95	JS



- 1. CONTACTS ACCEPT 22-26 AWG RANGE.
- ▲ POLYESTER OR NYLON, GLASS FILLED, UL 94V-0 RATED, BLACK.
- ▲ PVC, UL 94V-0 RATED, BLACK.
- ▲ PHOSPHOR BRONZE PER ASTM B 103.
- ▲ CARBON STEEL.
- ▲ CABLE CLAMPS: ZINC, SCREWS & NUTS: CARBON STEEL.
- ▲ GOLD PLATING PER MIL-C-45204; NICKEL PLATING PER QQ-N-290;
- ▲ TIN PLATING PER MIL-T-10727; COPPER PLATING PER MIL-C-14550;
- ▲ ZINC PLATING PER ASTM B633, TYPE III, CLASS SC1, CLEAR CHROMATE.
- ▲ GOLD FLASH FOR A LENGTH OF 3.81 (.150) MIN FROM MATING END, 2.54µm (.00100) MIN TIN OR TIN-LEAD ON OPPOSITE END FOR A LENGTH OF 6.60 (.260) MIN, BOTH OVER 0.76µm (.000030) MIN NICKEL ON ENTIRE CONTACT.
- ▲ 5.08µm (.000200) MIN TIN OVER 1.27µm (.000050) MIN COPPER.
- ▲ MOUNTING SCREWS & NUTS: 3.81µm (.000150) MIN ZINC; FILISTER HEAD SCREWS: ZINC.

DO NOT SCALE PRINT, UNLESS SPECIFIED.		DR 06/09/93	0-6817
DIMENSIONS IN mm (INCHES)		CHK 6/17/93	PL STONE
TOLERANCES IN mm (INCHES)		APPR 6-25-93	5-BRINGER
2 P.L.C. DEC. #13 (1.000)		APPR 6-25-93	
3 P.L.C. DEC. #		APPR 6-25-93	
MATERIAL		APPR 6-25-93	
HOUSING, CONTACTS, SHELLS, HARDWARE, FINISH		APPR 6-25-93	
PRODUCT SPEC		108-40011	
APPLICATION SPEC		114-40003	
WEIGHT			

SMALL PACK	749B10-6
PACKAGING TYPE	PART NO
<b>AMP</b> Incorporated Harrisburg, PA 17105-3608	
NAME	
PLUG KIT, UNASSEMBLED, SIZE 3, 25 POSITION, METAL SHELL, AMPLIMITE™ HDE-20	
SIZE	CAGE CODE
D	00779
SCALE	DRAWING NO
3:1	749B10-6

THIS DRAWING IS A CONTROL DOCUMENT FOR AMP INCORPORATED. IT IS SUBJECT TO CHANGE AND THE CONTROLLING AND REVISION QUANTITIES SHOULD BE CONTACTED FOR THE LATEST REVISION.

25-AUG-95 08:51:51 01005568 /home/sa025a/dep44023/cmp05568/edmod

CUSTOMER DRAWING