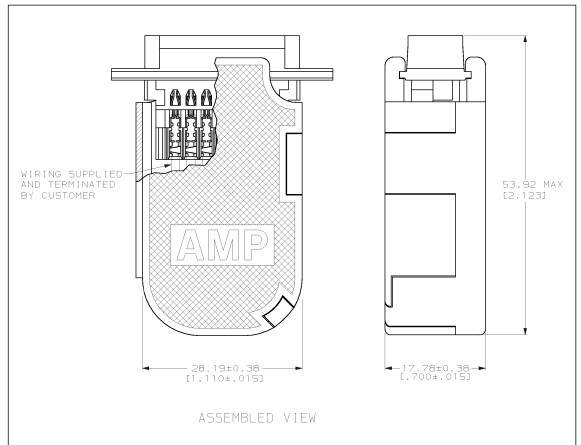
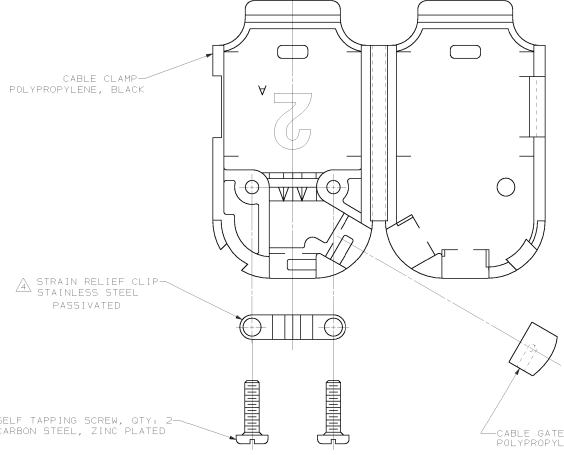
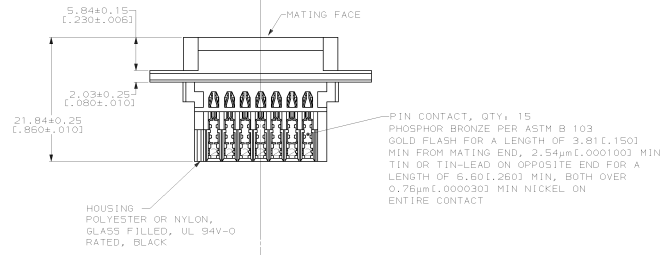
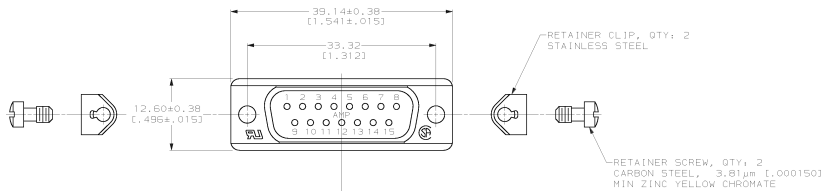


DRAWING MADE IN 3D CAD PRODUCTION  
 THIS DRAWING IS UNPUBLISHED. RELEASED FOR PUBLICATION  
 © COPYRIGHT 19 BY AMP INCORPORATED. ALL INTERNATIONAL RIGHTS RESERVED.

REV. NO.		DATE		DESCRIPTION		DATE	APP'D
D		1-14-90		RELEASED PER NFR 2503			JK
A				REV PER ECN B04220			JM
B				REV PER ECN B04276			RM
C				REV PER ECN B05736			JK
D				REV PER ECN 010-0123-00			JK



- CONTACTS ACCEPT 22-26 AWG RANGE.
- GOLD PLATING PER MIL-G-45204; NICKEL PLATING PER QQ-N-290;  
TIN PLATING PER MIL-T-10727, ZINC PLATING PER ASTM B633,  
TYPE III, CLASS S01.
- CABLE GATE PLUG TO BE PLACED IN CABLE EXIT NOT BEING USED.
- STRAIN RELIEF CLIP CAN BE REVERSED FOR PROPER INSTALLATION, DEPENDING  
ON SIZE OF CABLE DIAMETER.
- CABLE DIAMETER RANGE = 4.32-9.65 (.170-.380).

DO NOT SCALE PRINT. UNLESS SPECIFIED DIMENSIONS IN MM (INCHES) PUSH/PULLS: 90° 3 P.C. DEC: 9.19 (1.00) MOMENTS: 9.19		DR: 1-5-90 W. GLENNER	749809-2 PART NO.	
AMPD: 6-5-90	AMPD: 6-5-90	AMPD: 6-5-90	AMP INCORPORATED MORTONSBURG, PA. 17055	
AMPD: 6-5-90	AMPD: 6-5-90	AMPD: 6-5-90	NAME: PLUG KIT, UNASSEMBLED, SIZE 2, 15 POSITION, AMPLIMITE® HDE-20	
AMPD: 6-5-90	AMPD: 6-5-90	AMPD: 6-5-90	SIZE: D	
AMPD: 6-5-90	AMPD: 6-5-90	AMPD: 6-5-90	LAGE CODE: 00779	
AMPD: 6-5-90	AMPD: 6-5-90	AMPD: 6-5-90	DRAWING NO: 749809-2	
AMPD: 6-5-90	AMPD: 6-5-90	AMPD: 6-5-90	SCALE: 3:1	
AMPD: 6-5-90	AMPD: 6-5-90	AMPD: 6-5-90	SHEET: 1 OF 1	

CUSTOMER DRAWING