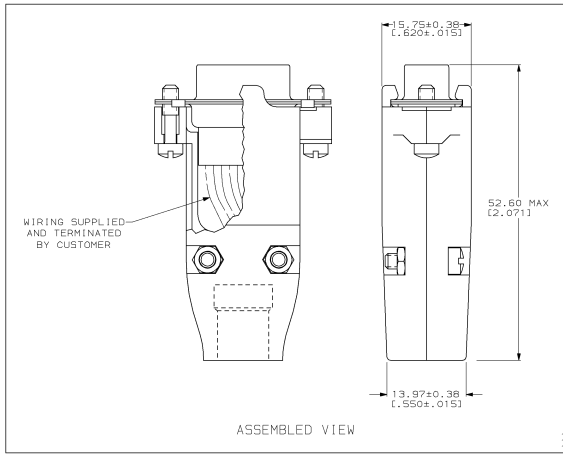
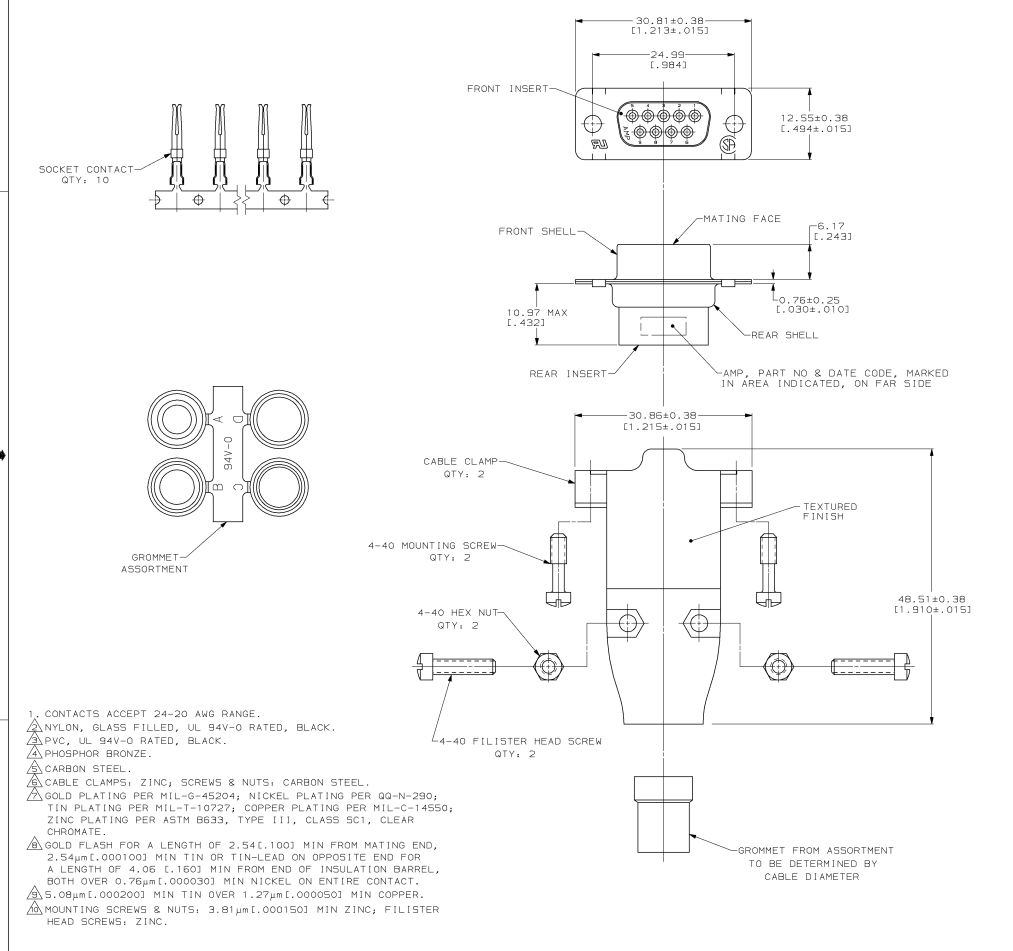


DRAWING MADE IN THIRD ANGLE PROJECTION
 THIS DRAWING IS UNPUBLISHED. RELEASED FOR PUBLICATION
 © Copyright 1984 BY AMP INCORPORATED. ALL INTERNATIONAL RIGHTS RESERVED.

REV	BY	DATE	DESCRIPTION	DATE	APPD
D			RELEASED PER NPR 2503	1-4-90	-
A			REV PER EC 0020-117-93	09-19-93	SB
B			REV PER EC 0020-84-93	06-01-93	SB
C			REV PER EC 0020-309-95	05-04-95	JS
D			REV PER EC 0020-B81-95	01-04-95	JS
E			REV PER EC 0040-120-98	01-04-98	JK



- CONTACTS ACCEPT 24-20 AWG RANGE.
- NYLON, GLASS FILLED, UL 94V-0 RATED, BLACK.
- PVC, UL 94V-0 RATED, BLACK.
- PHOSPHOR BRONZE.
- CARBON STEEL.
- CABLE CLAMPS, ZINC, SCREWS & NUTS, CARBON STEEL.
- GOLD PLATING PER MIL-G-45204; NICKEL PLATING PER QQ-N-290; TIN PLATING PER MIL-T-10727; COPPER PLATING PER MIL-C-14550; ZINC PLATING PER ASTM B633, TYPE III, CLASS SC1, CLEAR CHROMATE.
- GOLD FLASH FOR A LENGTH OF 2.54 (0.100) MIN FROM MATING END, 2.54 μm (0.000100) MIN TIN OR TIN-LEAD ON OPPOSITE END FOR A LENGTH OF 4.06 (0.160) MIN FROM END OF INSULATION BARREL, BOTH OVER 0.76 μm (0.000030) MIN NICKEL ON ENTIRE CONTACT.
- 5.08 μm (0.000200) MIN TIN OVER 1.27 μm (0.000050) MIN COPPER.
- MOUNTING SCREWS & NUTS: 3.81 μm (0.000150) MIN ZINC; FILISTER HEAD SCREWS: ZINC.

DO NOT SCALE PRINT, UNLESS SPECIFIED		DR 1-5-98		749806-1	
DIMENSIONS IN mm (INCHES)		4-11-LENER		PART NO	
TOLERANCES: 0.1		GHR 0-4-99		AMP INCORPORATED	
2 P.L.C. DEC ± 0.13 (0.005)		6-STORE		MILWAUKEE, WI 53108	
MATERIAL		APPD 6-5-90		NAME	
INSERTS: GROMMETS		8-TAYLOR		RECEPTACLE KIT, UNASSEMBLED,	
CONTACTS: HARDWARE		J-KISSINI		SIZE 1, 9 POSITION, METAL SHELL,	
FINISH		PRODUCT SPEC		AMPLIMITE® HDP-20	
CONTACTS: SHELLS		108-40011		DRAWING NO	
HARDWARE		APPLICATION SPEC		SIZE	
		114-40003		D 00779	
		WEIGHT		SCALE	
				3:1	
				DRAWING NO	
				749806-1	
				SHEET	
				1 OF 1	

01-MAY-98 14:44:08 eep11576 /home/ssrv0264/ess04/desktop/comp11676/etmod

CUSTOMER DRAWING