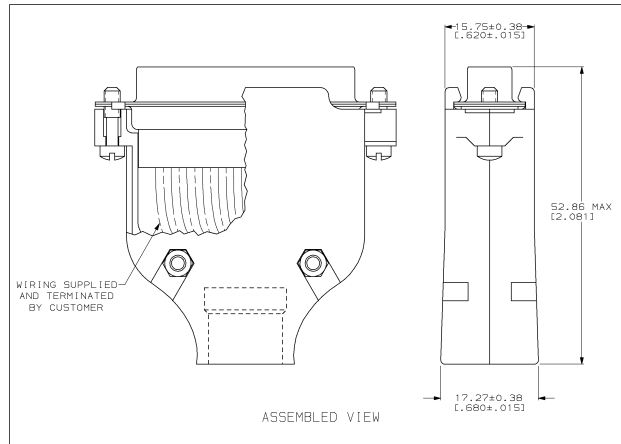
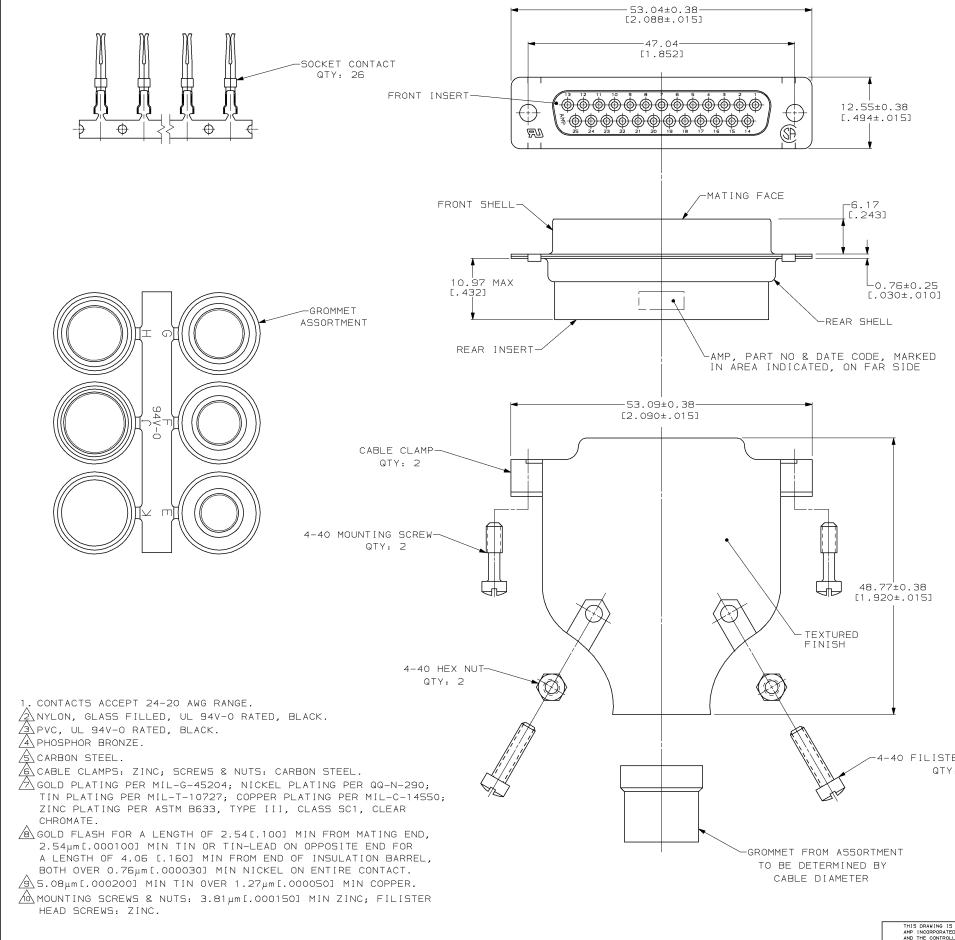


DRAWING MADE IN THIS WHOLE PROTECTION
 THIS DRAWING IS UNPUBLISHED.
 © copyright 19
 RELEASED FOR PUBLICATION
 BY AMP INCORPORATED. ALL INTERNATIONAL RIGHTS RESERVED.

REV	BY	DATE	DESCRIPTION	DATE	APPD
D			RELEASED -B PER NPR 4777,	06/07/93	-
A			WAS 93-4930-1-B	05/04/93	JS
B			REV PER EC 0020-308-95	05/04/95	JS
C			REV PER EC 0020-881-95	01/04/96	JK
			REV PER EC 0640-120-98	01/04/98	JK



- 1. CONTACTS ACCEPT 24-20 AWG RANGE.
- ▲ NYLON, GLASS FILLED, UL 94V-0 RATED, BLACK.
- ▲ PVC, UL 94V-0 RATED, BLACK.
- ▲ PHOSPHOR BRONZE.
- ▲ CARBON STEEL.
- ▲ CABLE CLAMPS; ZINC; SCREWS & NUTS; CARBON STEEL.
- ▲ GOLD PLATING PER MIL-G-45204; NICKEL PLATING PER QQ-N-290;
- ▲ TIN PLATING PER MIL-T-10727; COPPER PLATING PER MIL-C-14550;
- ▲ ZINC PLATING PER ASTM B633, TYPE III, CLASS SC1, CLEAR CHROMATE.
- ▲ GOLD FLASH FOR A LENGTH OF 2.54 (0.100) MIN FROM MATING END, 2.54µm (0.000100) MIN TIN OR TIN-LEAD ON OPPOSITE END FOR A LENGTH OF 4.06 (0.160) MIN FROM END OF INSULATION BARREL, BOTH OVER 0.76µm (0.000030) MIN NICKEL ON ENTIRE CONTACT.
- ▲ 5.08µm (0.000200) MIN TIN OVER 1.27µm (0.000050) MIN COPPER.
- ▲ MOUNTING SCREWS & NUTS; 3.81µm (0.000150) MIN ZINC; FILISTER HEAD SCREWS; ZINC.

DO NOT SCALE PRINT, UNLESS SPECIFIED.	DR 06/07/93	0-8817	SMALL PACK	749B06-6
DIMENSIONS IN mm (INCHES)	CHK 6-17-93	FL/STO	PACKAGING TYPE	PART NO
TOLERANCES, mm (INCHES)	APPD 6-25-93	5-BRINGER	AMP	AMP Incorporated
3 PLG DEC * -	APPD 6-25-93	5-BRINGER	RECEPTACLE KIT, UNASSEMBLED,	Harrisburg, PA 17105-3608
INCHES * -	PRODUCT SPEC	10B-A0011	METAL SHELL, AMPLIMITE™ HDP-20	
MATERIAL	FINISH	APPLICATION SPEC	SIZE	CAGE CODE
GROGMENTS, CONTACTS, SHELLS, HARDWARE	CONTACTS, HARDWARE	114-A0003	D	00779
		RETRY	SCALE	3:1
				DRAWING NO
				749B06-6
				SHEET
				1 OF 1

THIS DRAWING IS A CONTROLLED DOCUMENT FOR AMP INCORPORATED. IT IS SUBJECT TO CHANGE AND THE CONTROLLING AND MOST RECENT REVISION SHOULD BE CONTACTED FOR THE LATEST REVISION.

01-MAY-98 14:48:04 eep11576 /home/ssrv0264/ss04/depct4023/comp11676/etmod

CUSTOMER DRAWING