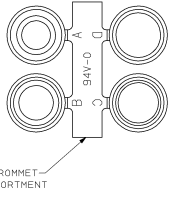
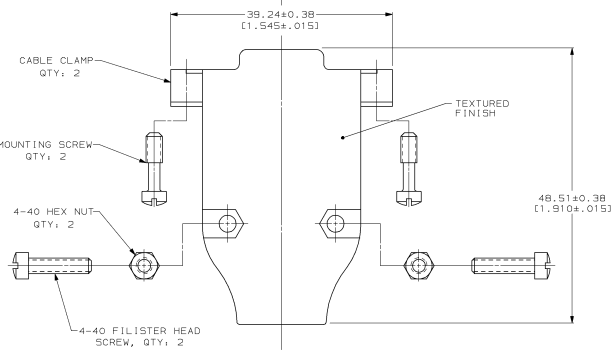
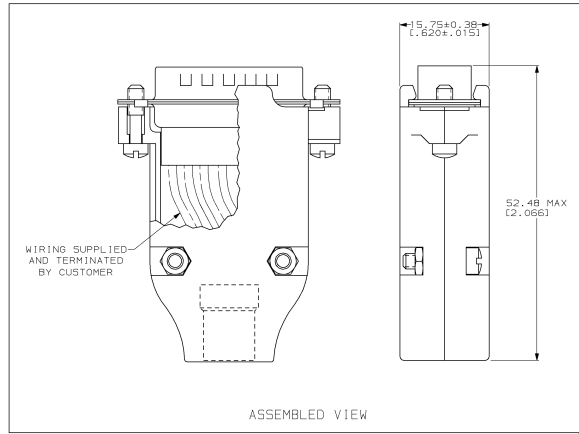
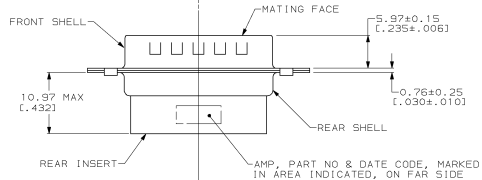
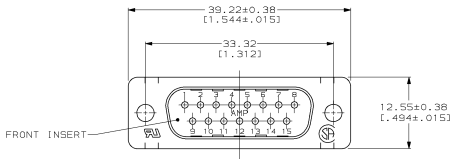
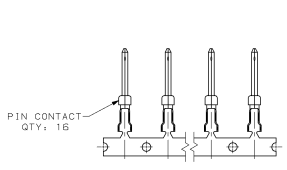


DRAWING MADE IN THIS WHOLE PROJECTION
 THIS DRAWING IS UNPUBLISHED.
 © copyright 1988
 RELEASED FOR PUBLICATION
 BY AMP INCORPORATED. ALL INTERNATIONAL RIGHTS RESERVED.

REVOLUTIONS		DATE	APP
D	RELEASED -S PER NPR 4777,	06/07/93	-
A	WAS 93-4930-1-2	05/04/93	JS
B	REV PER EC 0020-308-95	05/04/95	JS
C	REV PER EC 0020-881-95	05/04/95	JK
	REV PER EC 0640-120-98	01/04/98	JK



- 1. CONTACTS ACCEPT 24-20 AWG RANGE.
- ▲ NYLON, GLASS FILLED, UL 94V-0 RATED, BLACK.
- ▲ PVC, UL 94V-0 RATED, BLACK.
- ▲ BRASS.
- ▲ CARBON STEEL.
- ▲ CABLE CLAMPS; ZINC; SCREWS & NUTS; CARBON STEEL.
- ▲ GOLD PLATING PER MIL-G-45204; NICKEL PLATING PER QQ-N-290;
- ▲ TIN PLATING PER MIL-T-10727; COPPER PLATING PER MIL-C-14550;
- ▲ ZINC PLATING PER ASTM B633, TYPE III, CLASS SC1, CLEAR CHROMATE.
- ▲ GOLD FLASH FOR A LENGTH OF 3.81 (1.50) MIN FROM MATING END, 2.54 (1.00) MIN TIN OR TIN-LEAD ON OPPOSITE END FOR A LENGTH OF 4.06 (1.60) MIN FROM END OF INSULATION BARREL, BOTH OVER 0.76 (1.00) MIN NICKEL ON ENTIRE CONTACT.
- ▲ 5.08 (1.00) MIN TIN OVER 1.27 (1.00) MIN COPPER.
- ▲ MOUNTING SCREWS & NUTS; 3.81 (1.00) MIN ZINC; FILISTER HEAD SCREWS; ZINC.

GROMMET FROM ASSORTMENT TO BE DETERMINED BY CABLE DIAMETER

DO NOT SCALE PRINT, UNLESS SPECIFIED		DR 06/07/93	0-6817
DIMENSIONS IN mm (INCHES)		CHK 6-17-93	FL/STO
TOLERANCES, UNLESS OTHERWISE SPECIFIED		APPD 6-25-93	S:BRINGER
FRACTIONS DECIMALS		APPRD 6-25-93	S:BRINGER
MATERIAL		PRODUCT SPEC	10B-A0011
GROMMETS, SHIELDS	CONTACTS, HARDWARE	APPLICATION SPEC	114-A0003
FINISH	CONTACTS, SHIELDS	RETRBT	
SMALL PACK		749B05-5	
PACKAGING TYPE		PART NO	
AMP Incorporated		Harrisburg, PA 17105-3008	
NAME		PLUG KIT, UNASSEMBLED, SIZE 2, 15 POSITION, METAL SHELL, AMPLIMITE™ HDP-20	
SCALE		3:1	
SHEET		1 OF 1	

THIS DRAWING IS A CONTROLLED DOCUMENT FOR AMP INCORPORATED. IT IS SUBJECT TO CHANGE AND THE CONTROLLING PART NUMBER IDENTIFICATION SHOULD BE CONTACTED FOR THE LATEST REVISION.