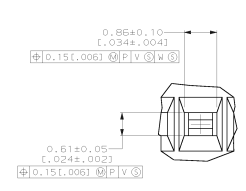
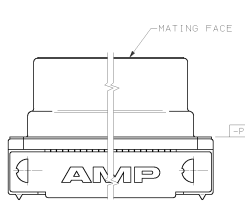
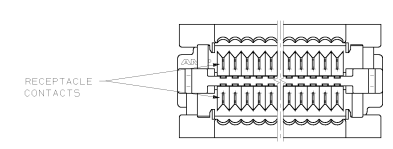
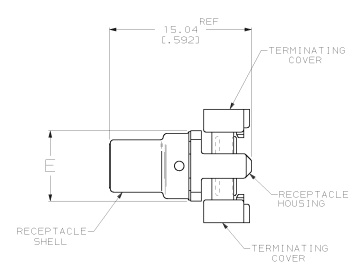
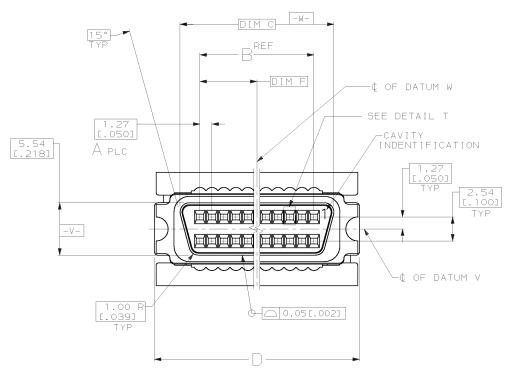


DRAWING MADE IN THIRD ANGLE PROJECTION
 THESE DIMENSIONS ARE UNLESS OTHERWISE SPECIFIED. RELEASED FOR PUBLICATION
 © COPYRIGHT 19 BY AMP INCORPORATED. ALL INTERNATIONAL RIGHTS RESERVED.

REV	DATE	DESCRIPTION	DATE	APPROVED
00	00	H REVISION PER EC 051C-0038-01		JG



- MATERIAL:**
 RECEPTACLE CONTACTS- PHOSPHOR BRONZE
 RECEPTACLE SHELL- STEEL
 RECEPTACLE HOUSING AND TERMINATING COVERS- UL V-0 RATED THERMOPLASTIC, COLOR: BLACK.
- PLATING:**
 RECEPTACLE CONTACTS- 0.00076 (.000030) MINIMUM GOLD PLATE IN CONTACT AREA, 0.00127 (.000050) MINIMUM BRIGHT TIN-LEAD PLATE IN TERMINATION AREA, ALL OVER 0.00127 (.000050) MINIMUM NICKEL.
- PLATING:**
 RECEPTACLE SHELL- 0.00508 (.000200) MINIMUM BRIGHT NICKEL PLATE OVER 0.00127 (.000050) MINIMUM COPPER.
- 4. RECOMMENDED WIRE:**
 28 AWG OR 30 AWG, SOLID OR 7 STRANDED, WITH A 0.74-0.91 (.029-.036) INSULATION DIA, OR AMP .050 CENTERLINE 28 AWG, STRANDED, PVC, FLAT GRAY RIBBON CABLE. WIRE MUST BE APPROVED BY AMP INCORPORATED. OBSOLETE PART NUMBER.

F	E	D	C	B	A	NO. OF PINS	PART NO.
31.12 [1.225]	9.47 [.373]	71.86 [2.829]	64.45 [2.536]	62.23 [2.450]	49	100	749210-8
20.96 [.825]	7.44 [.293]	51.54 [2.029]	46.13 [1.816]	41.91 [1.650]	33	68	749210-7
15.24 [.600]	7.44 [.293]	40.11 [1.579]	34.70 [1.366]	30.48 [1.200]	24	50	749210-5
12.06 [.475]	7.44 [.293]	33.76 [1.329]	28.35 [1.116]	24.13 [.950]	19	40	749210-4
7.62 [.300]	7.44 [.293]	24.87 [.979]	19.46 [.766]	15.24 [.600]	12	26	749210-2

DO NOT SCALE PRINT. UNLESS SPECIFIED DIMENSIONS IN mm (INCHES) PREFERRED: 20:1 3 P.L.C. DEC # 1000000000	DR 05/30/89 P. REIFFEY	AMP INCORPORATED
CHK 05/02/89 GAYNE DAVIS	NAME	AMP INCORPORATED
APPD 05/02/89 DAVID BRIDGES	NAME	AMP INCORPORATED
APPR 05/02/89 ROBERT WHITMAN	NAME	AMP INCORPORATED
MATERIAL	RECEPTACLE CABLE CONNECTOR ASSEMBLY, AMPLIMITED .050 Series	
FINISH	APPLICATION SPEC 114-40029	SIZE D
RETURN		EAGE CODE 00779
		DRAWING NO 749210
		SCALE 5:1
		SHEET 1 OF 1

10-JAN-97 11:47:46 amp35:397 /home/ussrv/05a/98/84/dec4023/rev35:397/edmond

CUSTOMER DRAWING