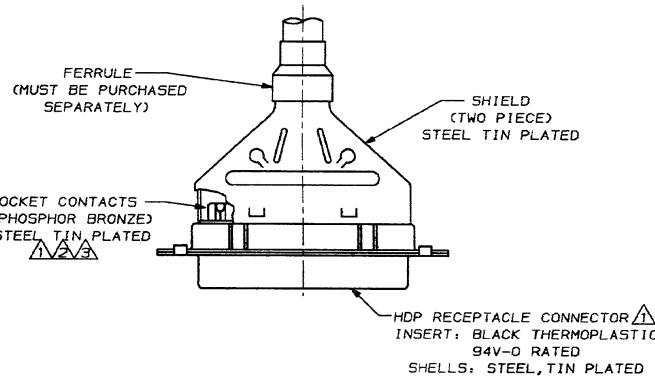
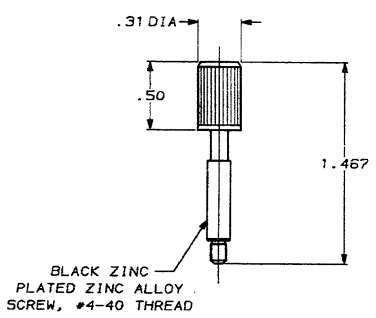
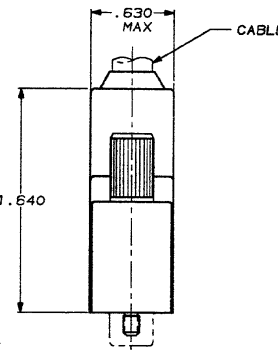
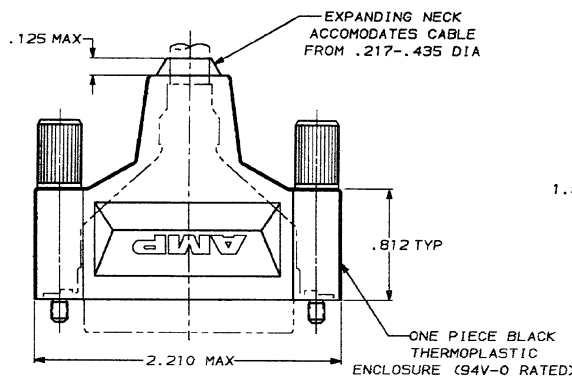


DRAWING MADE IN THIRD ANGLE PROJECTION

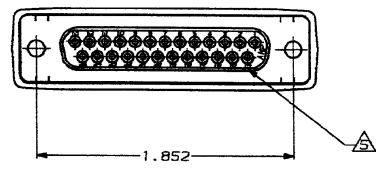
THIS DRAWING IS UNPUBLISHED. RELEASED FOR PUBLICATION BY AMP INCORPORATED. ALL INTERNATIONAL RIGHTS RESERVED.

MOD	REV	DATE	DESCRIPTION	DATE	APPD
2	BD	39			
	C		REDRAWN	6/7/90	
	D		REV PER ECN BD4493	13/07/90	
	E		REV PER ECN BD4814	05/01/91	
	F		REVISED PER ECN BD6133	04/03/92	TMS



- ⚠ RECEPTACLE CONNECTOR FULLY LOADED WITH CONTACTS. ALL OTHER PARTS ARE SHIPPED UNASSEMBLED. (EACH PART INDIVIDUALLY BULK PACKED).
- ⚠ SOLDER CUP WILL ACCOMMODATE AWG 20 MAX WIRE.
- ⚠ CONTACTS PLATED WITH GOLD FLASH ON MATING END FOR .150 MIN LENGTH. .000150-.000300 TIN-LEAD PLATE ON SOLDER CUP WITH .000030 NICKEL UNDERPLATE ON ENTIRE CONTACT.
- 4. ALTERNATE FINISH ON CONTACTS AVAILABLE AT CUSTOMER'S REQUEST.
- ⚠ RAISED CAVITY IDENTIFICATION AND AMP TRADEMARK.

CONTACT FINISH	748051-1
PART NUMBER	



DO NOT SCALE PRINT. UNLESS SPECIFIED DIMENSIONS IN INCHES TOLERANCES ON : 2 PLC DEC ± .020 ANGLES ± -		DR 6/7/90 A. STALUB BG		AMP INCORPORATED Harrisburg, Pa. 17105	
SEE CALL OUT		CHK 9-31-90 J. MCCLINTON			
MATERIAL		APPD 9-4-90 BOB TAYLOR		NAME	
SEE CALL OUT		APPD 9-4-90 J. ASSINI		BULK KIT, RCPT, AMPLIMITE™, SHLDG ENCLOSURE, SOLDER CUP 25 POSN, SIZE 3, HDP-20	
FINISH		APPLICATION SPEC		SIZE C	
SEE CALL OUT		-		FSCN NO 00779	
WEIGHT		-		DRAWING NO 748051	
				SCALE 2:1	
				SHEET 1 OF 1	

AMP 1-071-0 REV 3-88
 2 APR 1992 15:29:08 amp25061 /home/pc006a/dgpt/4023/amp25061/vi_b06133

CUSTOMER DRAWING