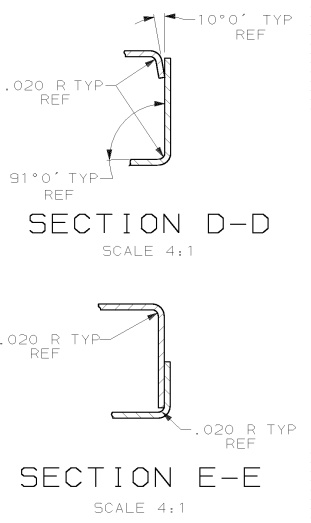
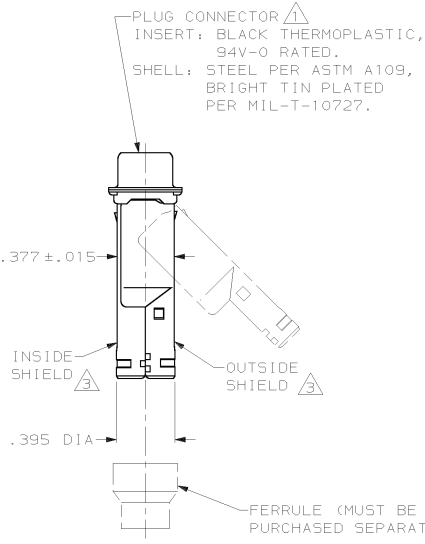
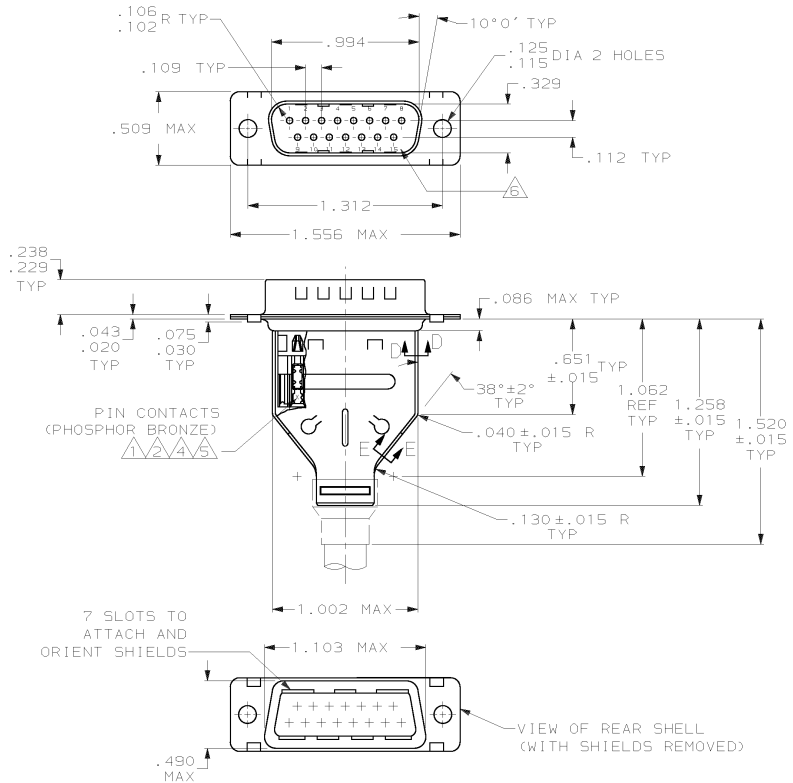


DRAWING MADE IN THIRD ANGLE PROJECTION  
 THIS DRAWING IS UNPUBLISHED. RELEASED FOR PUBLICATION  
 © COPYRIGHT 19 BY AMP INCORPORATED. ALL INTERNATIONAL RIGHTS RESERVED.

LOC	DISP	P	F	ZONE	LTR	REVISIONS	DATE	APPD	
BD	48					A	REDRAWN	5-24-90	-
						B	OBS -3 PER EC 0020-1534-93	04/13/94	PR
						C	OBSOLETE -6 PER EC 0020-733-95	05 FEB 96	CS
						D	OBSOLETE -4 PER EC 0020-525-96	10 JUN 96	CS
						E	REV PER EC 0640-463-98	23 MAR 99	RT



- ⚠️ PLUG CONNECTOR FULLY LOADED WITH CONTACTS. ALL OTHER PARTS SHIPPED UNASSEMBLED (EACH PART INDIVIDUALLY BULK PACKED).
- ⚠️ NUMBER ON CONTACT INDICATES WIRE RANGE.
- ⚠️ SHIELDS: MATERIAL-.020 THICK STEEL, TIN PLATED.
- ⚠️ CONTACTS PLATED GOLD PLATED FOR LENGTH OF .150 MIN FROM MATING END, .000030 MIN GOLD IN MATED AREA. .000100-.000200 BRIGHT TIN OR BRIGHT IN TIN-LEAD IN WIRE TERMINATION AREA. .000050 NICKEL UNDERPLATE ON ENTIRE CONTACT.
- ⚠️ CONTACTS PLATED GOLD PLATED FOR LENGTH OF .150 MIN FROM MATING END, GOLD FLASH IN MATED AREA. .000100-.000200 BRIGHT TIN OR BRIGHT IN TIN-LEAD IN WIRE TERMINATION AREA. .000030 NICKEL UNDERPLATE ON ENTIRE CONTACT.
- ⚠️ RAISED CAVITY IDENTIFICATION AND AMP TRADEMARK.

OBSOLETE	⚠️	3	#20-22	747531-6
OBSOLETE	⚠️	2	#22-26	747531-5
OBSOLETE	⚠️	1	#26-30	747531-4
OBSOLETE	⚠️	3	#20-22	747531-3
	⚠️	2	#22-26	747531-2
	⚠️	1	#26-30	747531-1
CONTACT FINISH	⚠️		WIRE RANGE	PART NUMBER

DD NOT SCALE PRINT. UNLESS SPECIFIED DIMENSIONS IN INCHES TOLERANCES ON : 2 PLC DEC ± . 3 PLC DEC ± .005 ANGLES ± 0°30'	DR 5-24-90 J GALLUCCI B6 CHK 8-31-90 J. McCLINTON APPD 9-4-90 B. TAYLOR APPD 9-4-90 J. ASSINI PRODUCT SPEC -	AMP INCORPORATED Murrysburg, Pa. 17105
MATERIAL SEE CALL OUT ⚠️	NAME	KIT, PLUG, SHIELDING HARDWARE, SIZE 2, 15 POSN, HDE-20, AMPLIMITE™
FINISH SEE CALL OUT AND NOTES	APPLICATION SPEC -	SIZE C FSCM NO 00779 DRAWING NO 747531
WEIGHT -	SCALE 2:1	SHEET 1 OF 1