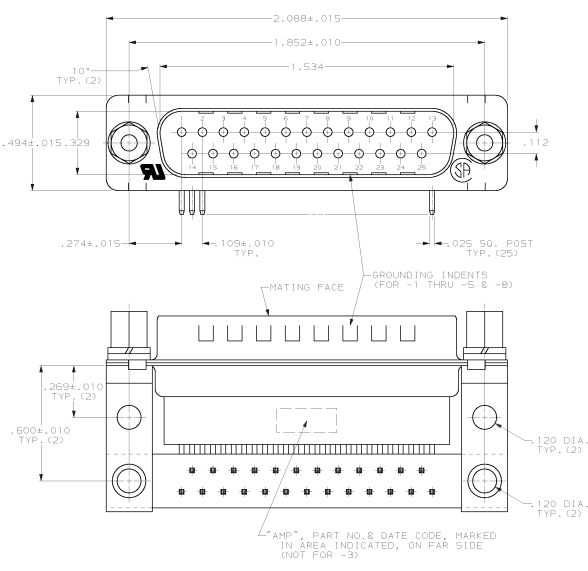
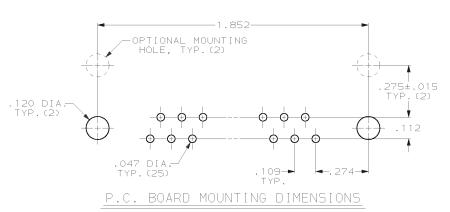


MAKING FROM IN HOUSE QUANTITIES  
 THESE DIMENSIONS ARE UNLESS OTHERWISE SPECIFIED.  
 © COPYRIGHT 1988 BY AMP INCORPORATED. ALL INTERNATIONAL RIGHTS RESERVED.

REV	DATE	BY	CHK	APP	DESCRIPTION	DATE	APP
D					REURAW & OBS -4 PER EC 0620-817-93	06-08-83	-
E					SUPERSEDED -3 & -5 PER EC 0020-587-96	07-08-87	RT
F					REV PER EC 0640-429-88	18-08-88	RT
G					REV PER EC 001D-0275-00	08-08-90	JR



- CONNECTOR MATES WITH ANY 25 POS. RECEPTACLE IN AMPLIMITE SERIES & COMPLIES WITH AMP SPEC. 108-40,005 WHERE APPLICABLE.
- FLAME RETARDANT 94V-0 RATED THERMOPLASTIC; COLOR: BLACK.
- STEEL PER ASTM A108.
- BRASS PER MIL-C-50.
- SCREWLOCKS; STEEL PER ASTM A108, WASHERS, STEEL PER ASTM A108.
- TIN PLATING PER MIL-T-16727, ZINC PLATING PER ASTM B633; TYPE III; CLASS SCl; CLEAR CHROMATE. GOLD PLATING PER MIL-G-45204, NICKEL PLATING PER QQ-N-290.
- TIN PLATED.
- ZINC PLATED.
- GOLD PLATED FOR LENGTH OF .150 MIN FROM MATING END. GOLD FLASH IN MATED AREA, .000100 MIN TIN-LEAD ON OPPOSITE END, BOTH OVER .000050 MIN NICKEL.
- GOLD PLATED FOR LENGTH OF .150 MIN FROM MATING END. .000030 MIN GOLD IN MATED AREA. .000100 MIN TIN-LEAD ON OPPOSITE END, BOTH OVER .000050 MIN NICKEL.
- LOCK WASHERS ARE FOR -1, -2, -4, -5, -6, -7 & -8. PLAIN WASHERS ARE FOR -1, -2, -5, -6 & -7.



OBsolete	747022-8
OBsolete	747022-7
OBsolete	747022-6
SUPSD BY 747022-2	747022-5
OBsolete	747022-4
SUPSD BY 747022-2	747022-3
OBsolete	747022-2
OBsolete	747022-1

DO NOT SCALE PRINT. UNLESS SPECIFIED DIMENSIONS IN INCHES TOLERANCES: IN 1/16 DEC 3 P.L.C DEC .005 MILS .001	DR 8-27-84 J.SERVICE	AMP Incorporated Harrisburg, PA 17105-3608
APPD 8-19-84 J.SERVICE <td>NAME</td> <td>PLUG ASSEMBLY, SIZE 3, 25 POS., RIGHT ANGLE, .545 SERIES, .025 SO. POSTS, W/ SCREWLOCKS, AMPLIMITE™ HDP</td>	NAME	PLUG ASSEMBLY, SIZE 3, 25 POS., RIGHT ANGLE, .545 SERIES, .025 SO. POSTS, W/ SCREWLOCKS, AMPLIMITE™ HDP
MODST SPEC	SIZE	00779
FINISH	DRAWING NO	747022
SCALE	NTS	SHEET 1 OF 1

THIS DRAWING IS A CONTROLLED DOCUMENT FOR AMP INCORPORATED. IT IS SUBJECT TO CHANGE AND THE CONTROLLED AND REVISIONS INFORMATION SHOULD BE CONTACTED FOR THE LATEST REVISIONS.

CUSTOMER DRAWING