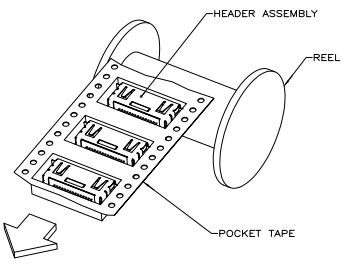
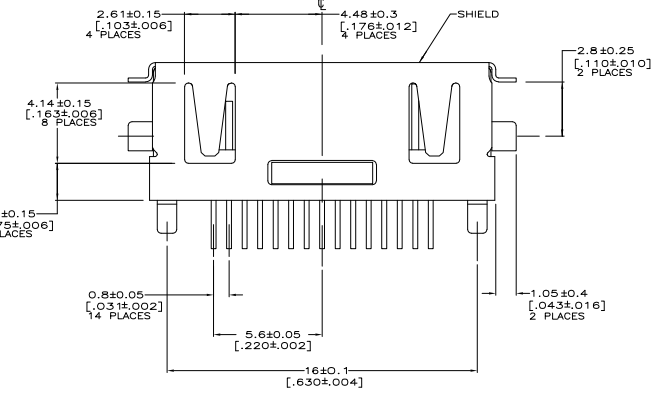
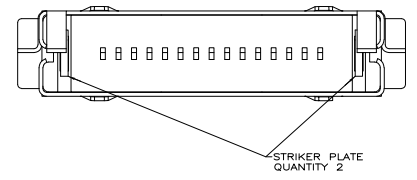
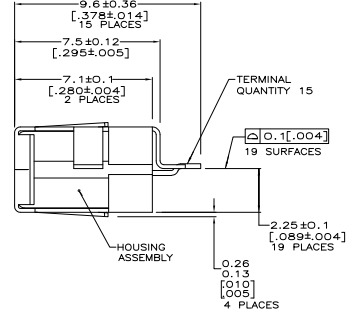
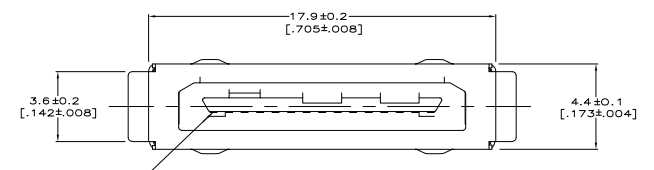
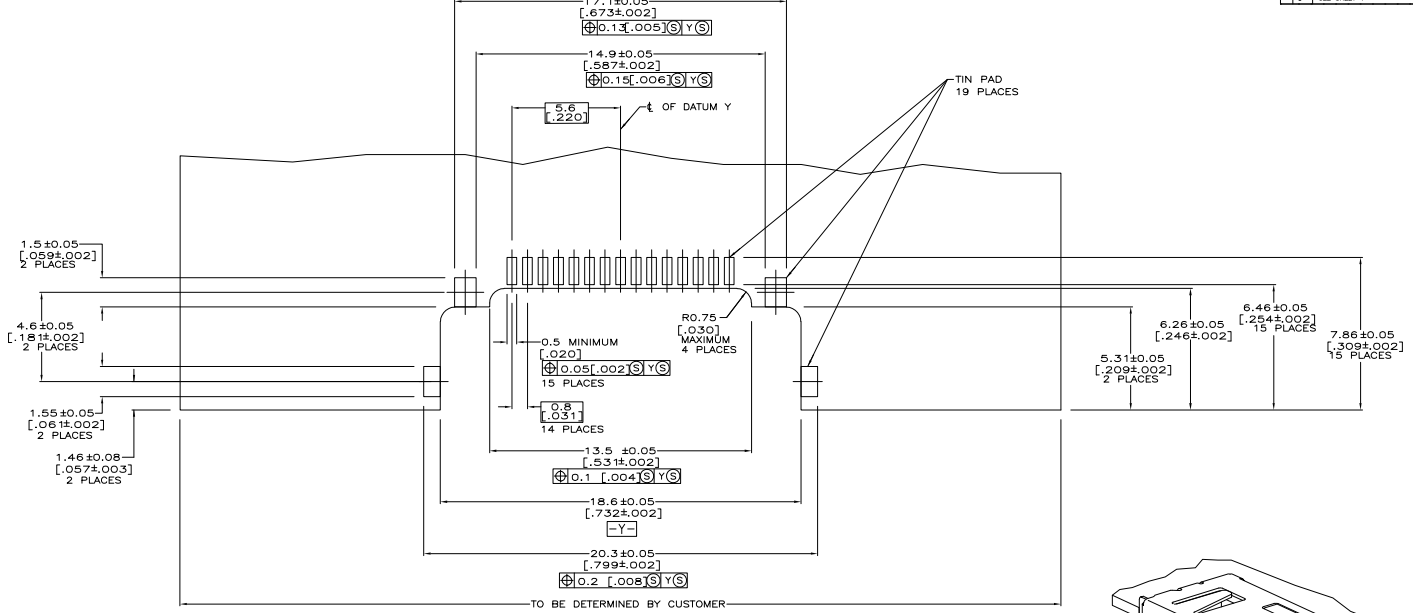


MATERIAL: HOUSING - NYLON MOLDING COMPOUND, 94V-0, GLASS FILLED, BLACK.
 TERMINALS - 0.25[.01] THICK BRASS PLATED WITH 0.254 MICRONS[.000010] MINIMUM THICK GOLD OVER 1.016 MICRONS [.000040] MINIMUM THICK PALLADIUM NICKEL OVER 0.05 MICRONS[.000002] MINIMUM THICK GOLD IN CONTACT AREAS AND 3.8 MICRONS[.000150] MINIMUM THICK TIN ON SOLDER TINES OVER 2.54 MICRONS[.000100] MINIMUM THICK NICKEL UNDERPLATE.
 SHIELD - STAINLESS STEEL, TIN PLATED
 STRIKER PLATE - STAINLESS STEEL.

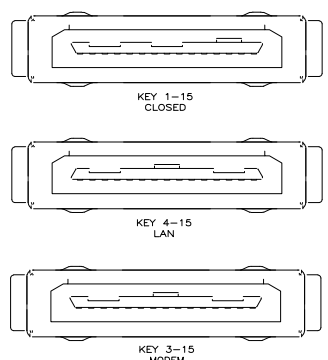


TAPE & REEL	KEY	PART NUMBER
TAPE & REEL	KEY 4-15 LAN	5-569331-4
TAPE & REEL	KEY 3-15 MODEM	5-569331-3
TAPE & REEL	KEY 1-15 CLOSED	5-569331-1
PACKAGING	KEYING OPTION	PART NUMBER
TAPE & REEL	KEY 4-15 LAN	5-569331-4
TAPE & REEL	KEY 3-15 MODEM	5-569331-3
TAPE & REEL	KEY 1-15 CLOSED	5-569331-1

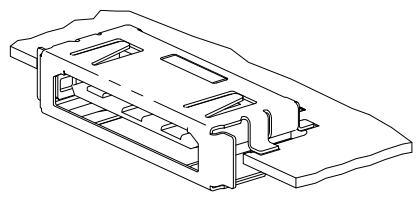
DESIGNER	DATE	10/05	BY	DATE	10/05	APP	DATE	10/05	REV	1
DRWING	DATE	10/05	BY	DATE	10/05	APP	DATE	10/05	REV	1
CHK	DATE	10/05	BY	DATE	10/05	APP	DATE	10/05	REV	1
APP	DATE	10/05	BY	DATE	10/05	APP	DATE	10/05	REV	1
REV	DATE	10/05	BY	DATE	10/05	APP	DATE	10/05	REV	1
CUSTOMER DRAWING	DATE	10/05	BY	DATE	10/05	APP	DATE	10/05	REV	1



SUGGESTED PC BOARD MOUNTING DIMENSIONS



KEYING OPTIONS
SCALE 8:1



THIS DRAWING IS A CONTROLLED DOCUMENT.		DATE	10/03/00	REV	00
DESIGNED BY	J. LATTUCA	DATE	10/03/00	REV	00
DRAWN BY	M. GORGEN	DATE	10/03/00	REV	00
CHECKED BY	M. BELMUSLEY	DATE	10/03/00	REV	00
APPROVED BY		DATE		REV	
DATE	10/03/00	DRAWING NO.	A100779	REV	00
CUSTOMER DRAWING		DATE	10-11	SHEET	2 OF 2