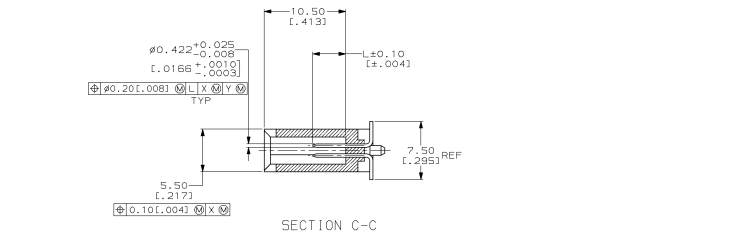
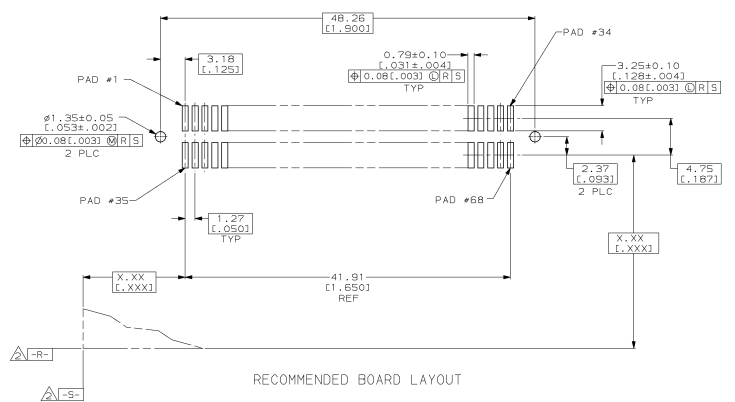
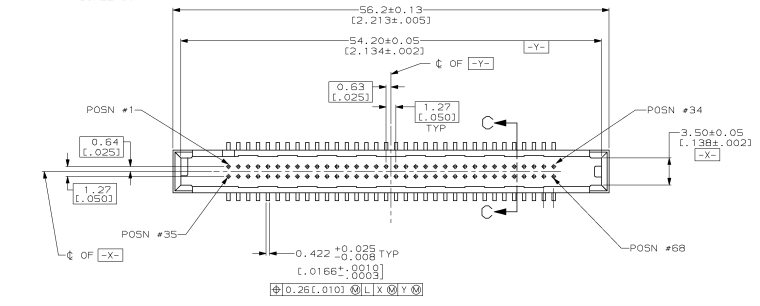
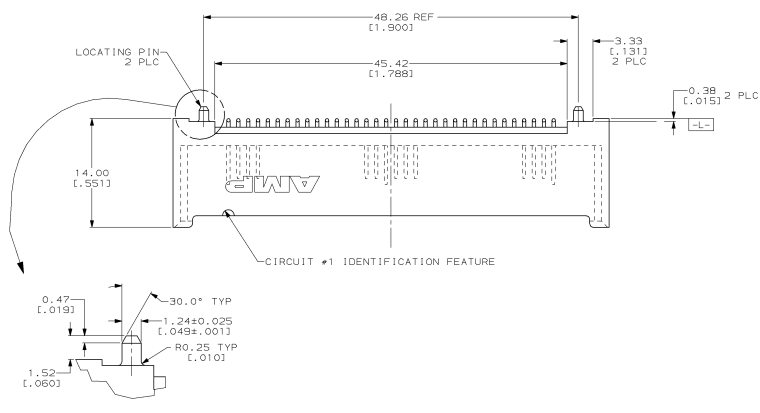


REV	DESCRIPTION	DATE	BY	APP
0	RELEASED WAS; 95-1129-94	2/5/96	DM	VR
A	REV PER 0010-0488-96	4/9/96	DM	VR



- △ 0.00076 [.000030] MINIMUM GOLD IN CONTACT AREA,
0.00381 [.000150] MIN TIN-LEAD ON SOLDER TAILS,
ALL OVER 0.00127 [.000050] MINIMUM NICKEL
- △ DATUMS AND BASIC DIMENSIONS ESTABLISHED BY CUSTOMER
- 3. PRODUCT PACKAGED IN TUBES.

AS SHOWN	1.17, 34 35, 51, 68	ALL OTHER PINS	36, 67	146733-1
DESCRIPTION	5.0 [.197]	4.25 [.167]	3.5 [.138]	PART NUMBER

P1N LENGTH AND LOCATION		AMP Incorporated Harrisburg, PA 17105-3608	
REV	DATE	BY	CHKD
0	11/29/94	DM	VR
A	4/9/96	DM	VR
DESCRIPTION		P1N HEADER ASSEMBLY, VERTICAL, 68 POSITION, SURFACE MOUNT, AMP POS. C180	
CUSTOMER DRAWING		A1 00779 146733	